



ENGLISH

Datasheet

RS Article:1854782

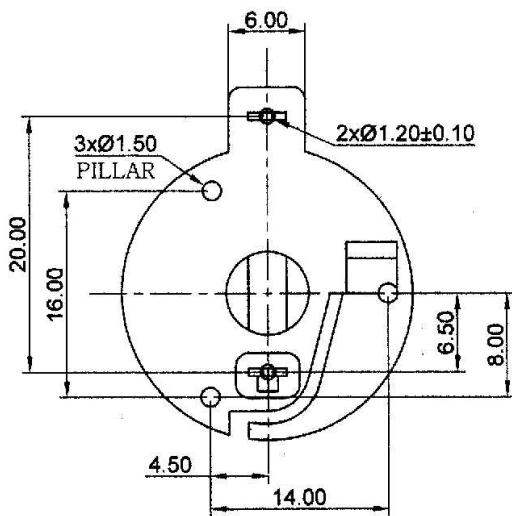
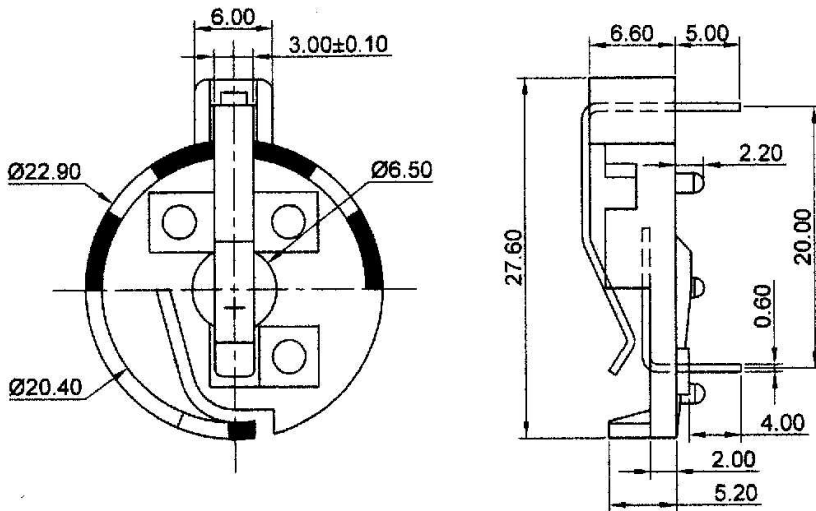
RS Pro Battery Holder



1. Preface:

The purpose of this product specification is to Dimension and drawing

CR2032



PCB MOUNTING LAYOUT

NOTES:

1. MATERIAL:

HOUSING : NYLON 66+15%GF UL94V0 BLACK COLOR

CONTACT : (+)ELECTRODE : PHOSPHOR BRONZE 0.60MM THK
TIN PLATED OVER NICKEL

(-)ELECTRODE : BRASS 0.60MM THK
TIN PLATED OVER NICKEL

2. CURRENT RATING : 2A (AC/DC)

3. VOLTAGE RATING : 500V (AC/DC)

4. CONTACT RESISTANCE : 30 MILLIOHMS

5. INSULATION RESISTANCE : 1000 MEGAOHMS

6. TEMPERATURE RANGE : -55°C TO +105°C

7. HUMIDITY : 40°C AND 90-95% RH FOR 96 HOURS

8. RoHS COMPLIANT

Measure: mm