



ENGLISH

Datasheet

RS Article:1854733

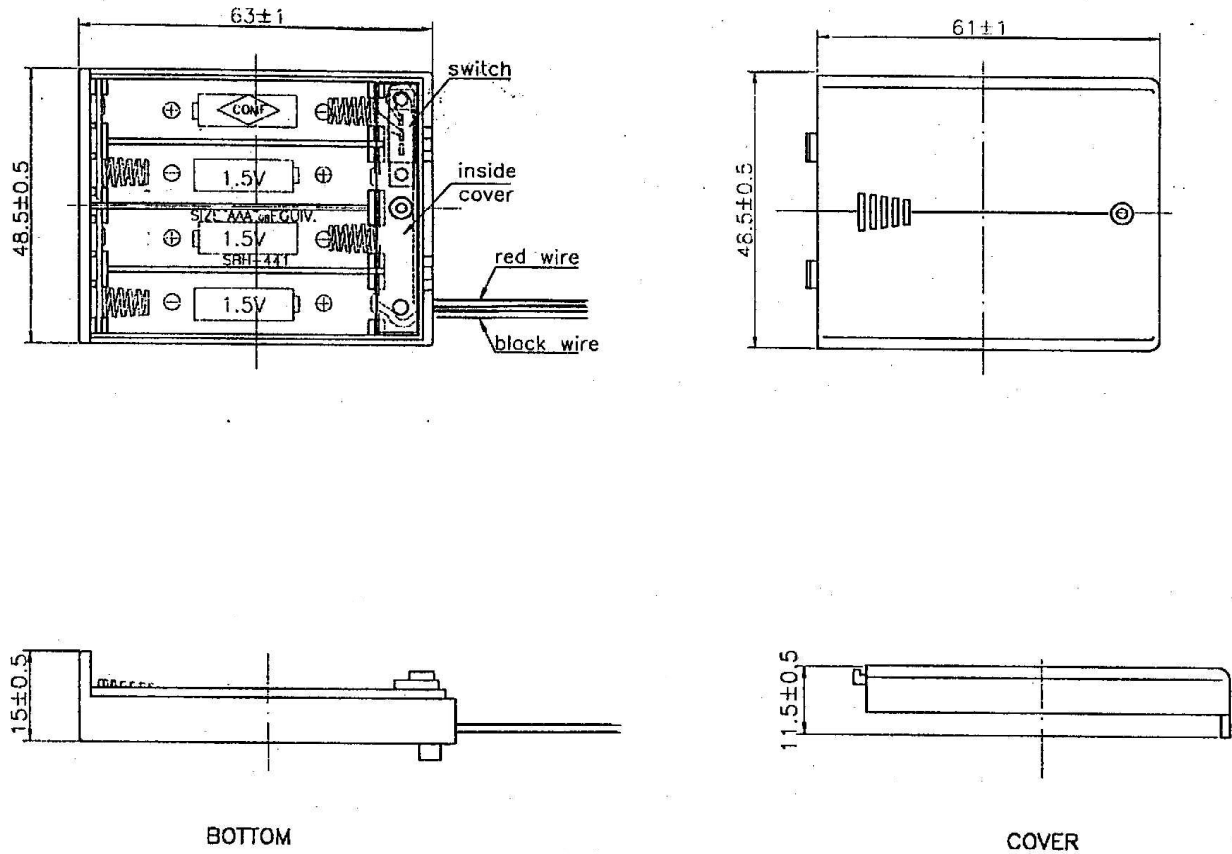
RS Pro Safety Battery Holder



1. Preface:

The purpose of this product specification is to Dimension and drawing

AAA x 4 With Lead Wire 150mm and Switch



SPECIFICATION

- (1) ITEM NO.: 1854733
- (2) WIRE: UL1007 AWG#26
BLACK & RED 150MM \pm 5MM
STRIP & TIN 5MM \pm 1MM
- (3) MATERIAL: ABS RESIN, BLACK COLOR
- (4) SPRING: 0.6MM 65C SPRING WIRE
- (5) WITH SWITCH
- (6) ADD INSIDE COVER

Measure: mm