

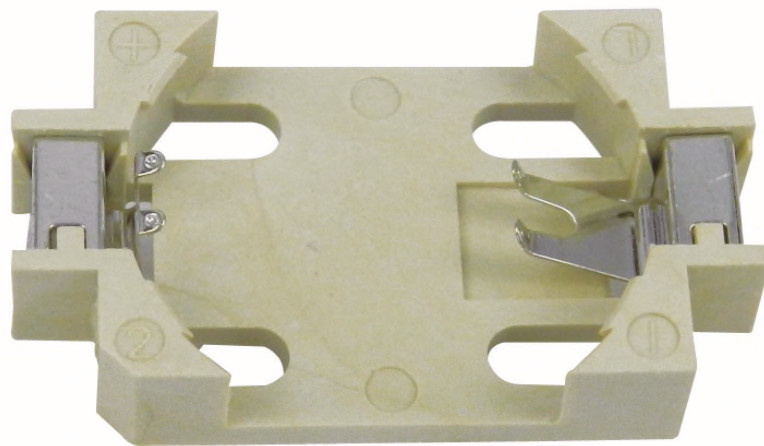


ENGLISH

Datasheet

RS Article:1854717

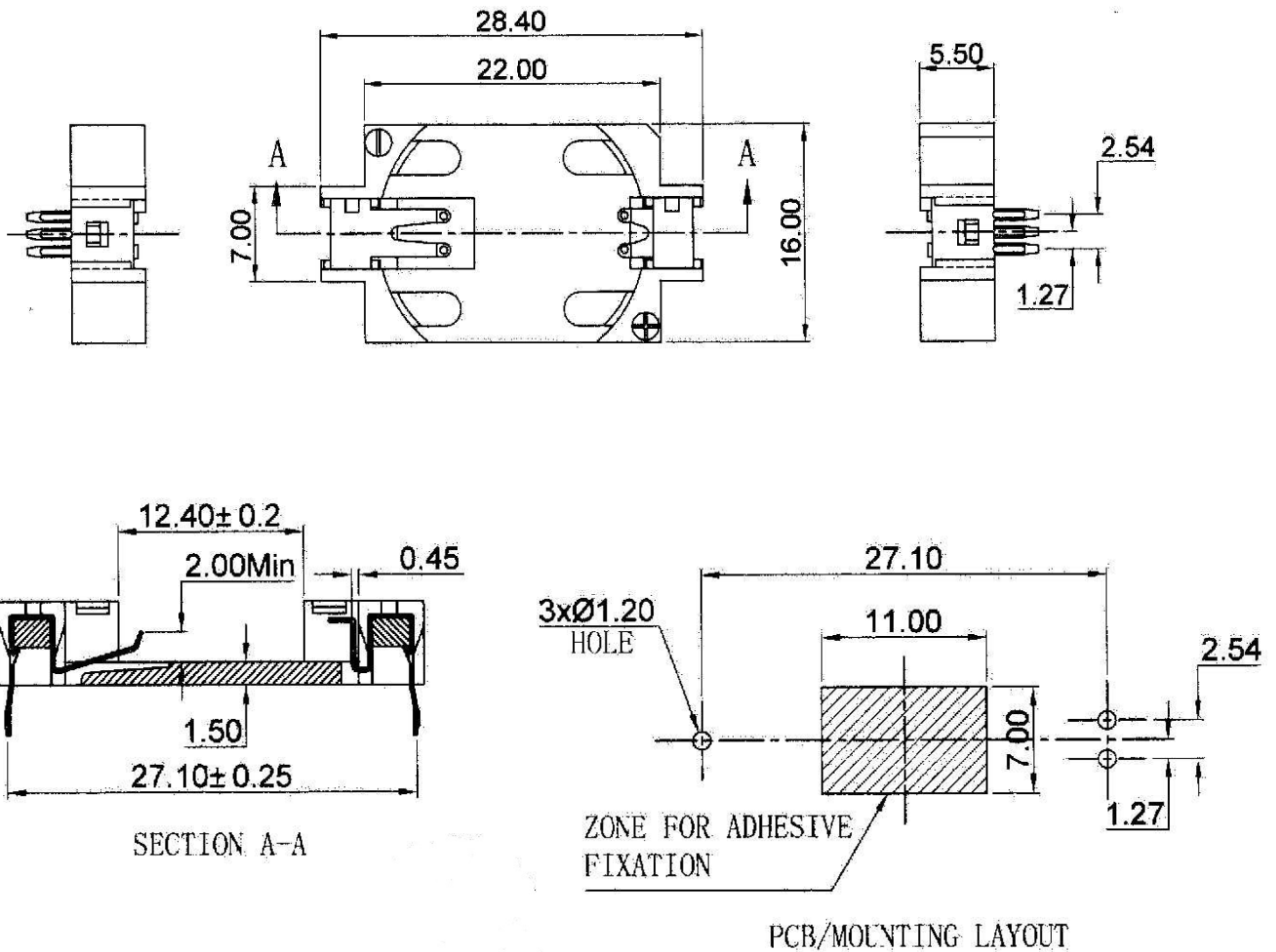
RS Pro Battery Holder



1. Preface:

The purpose of this product specification is to Dimension and drawing

CR2032



NOTES:

1. MATERIAL: HOUSING-LCP 30%GF UL94V0
2. COLOR: WHITE
3. CONTACT: PHOSPHOR BRONZE C5191R-H
4. PLATING: Tin 120u"/min OVER Ni 60 u"/min
5. RoHS COMPLIANT

Measure: mm