



ENGLISH

Datasheet

RS Article:1854650

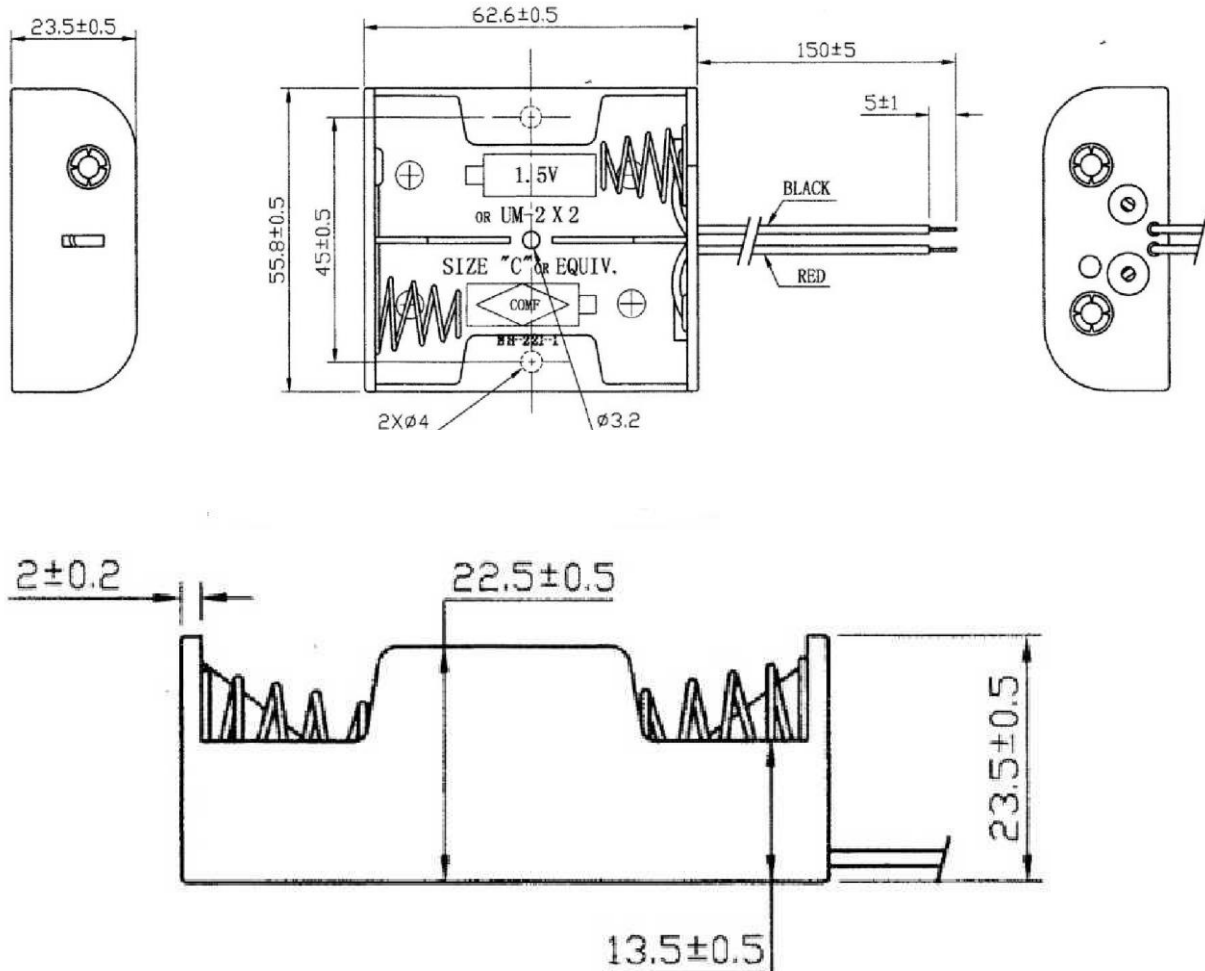
RS Pro Battery Holder



1. Preface:

The purpose of this product specification is to Dimension and drawing

C x with Lead Wire 150mm



SPECIFICATION

- (1) ITEM NO: 1854650
- (2) WIRE: UL1007 AWG#24
BLACK & RED: 150MM±5MM
STRIP & TIN: 5MM±1MM
- (3) MATERIAL: P.P RESIN , BLACK COLOR
- (4) SPRING: 0.8MM 65C SPRING WIRE

Measure: mm