



ENGLISH

Datasheet

RS Article:1854783

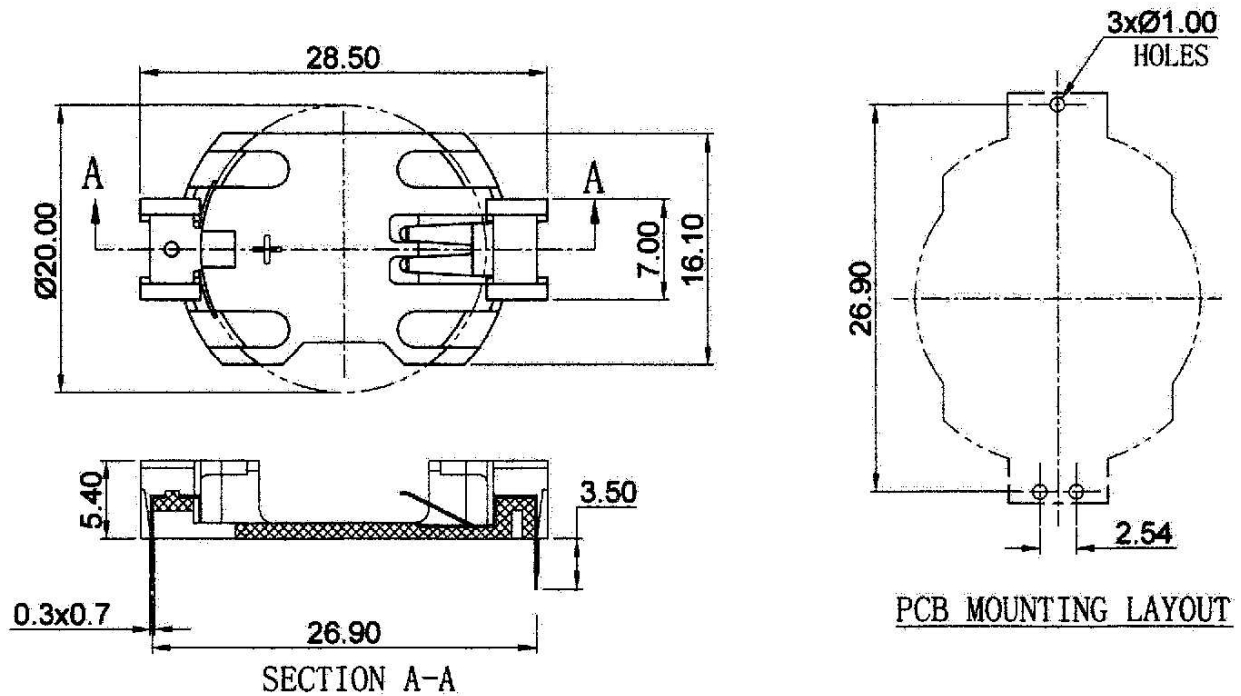
# RS Pro Battery Holder



## 1. Preface:

The purpose of this product specification is to Dimension and drawing

# CR2032



### NOTES:

1. MATERIAL:  
HOUSING: PBT UL94V0 BLACK COLOR  
CONTACT: STAINLESS STEEL #301, 0.30MM THK  
TIN PLATED OVER NICKEL
2. CURRENT RATING : 3A (AC/DC)
3. VOLTAGE RATING : 500V (AC/DC)
4. CONTACT RESISTANCE: 100 MILLIOHMS
5. INSULATION RESISTANCE: 100 MEGAOHMS
6. TEMPERATURE RANGE:  $-55^{\circ}\text{C}$  TO  $+85^{\circ}\text{C}$
7. HUMIDITY:  $40^{\circ}\text{C}$  AND 90-95% RH FOR 96 HOURS
8. RoHS COMPLIANT

Measure: mm