



ENGLISH

Datasheet

RS Article:1854775

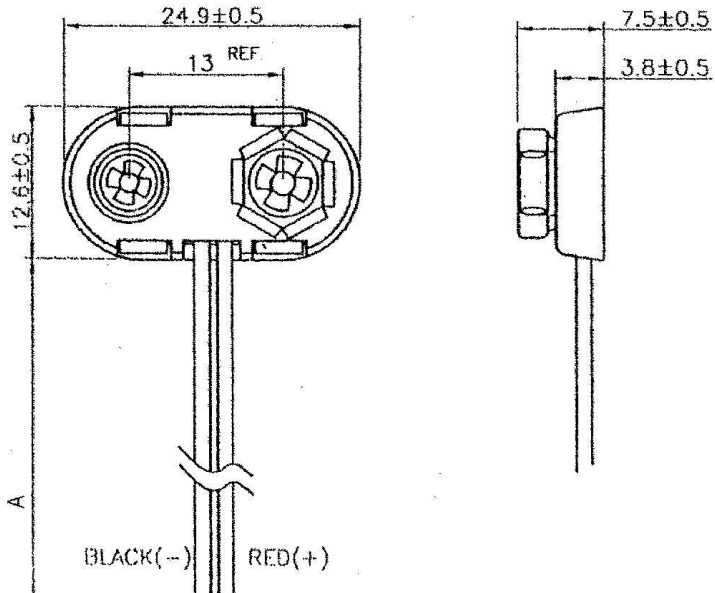
RS Pro Battery Holder



1. Preface:

The purpose of this product specification is to Dimension and drawing

9V Battery SNAP



SPECIFICATION

- (1) ITEM NO.: 1854775
- (2) WIRE: UL1007 AWG#26
BLACK & RED A: $150\text{MM} \pm 5$ MM
STRIP & TIN B: $5\text{MM} \pm 1$ MM
- (3) WITH 6 PRONG SNAP TERMINAL
- (4) MATERIAL: A.B.S. RESIN, BLACK COLOR

Measure: mm