

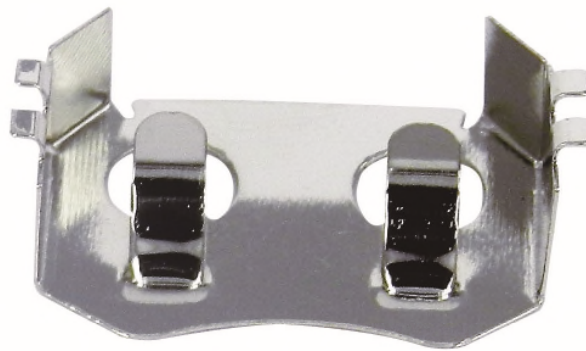


ENGLISH

Datasheet

RS Article:1854661

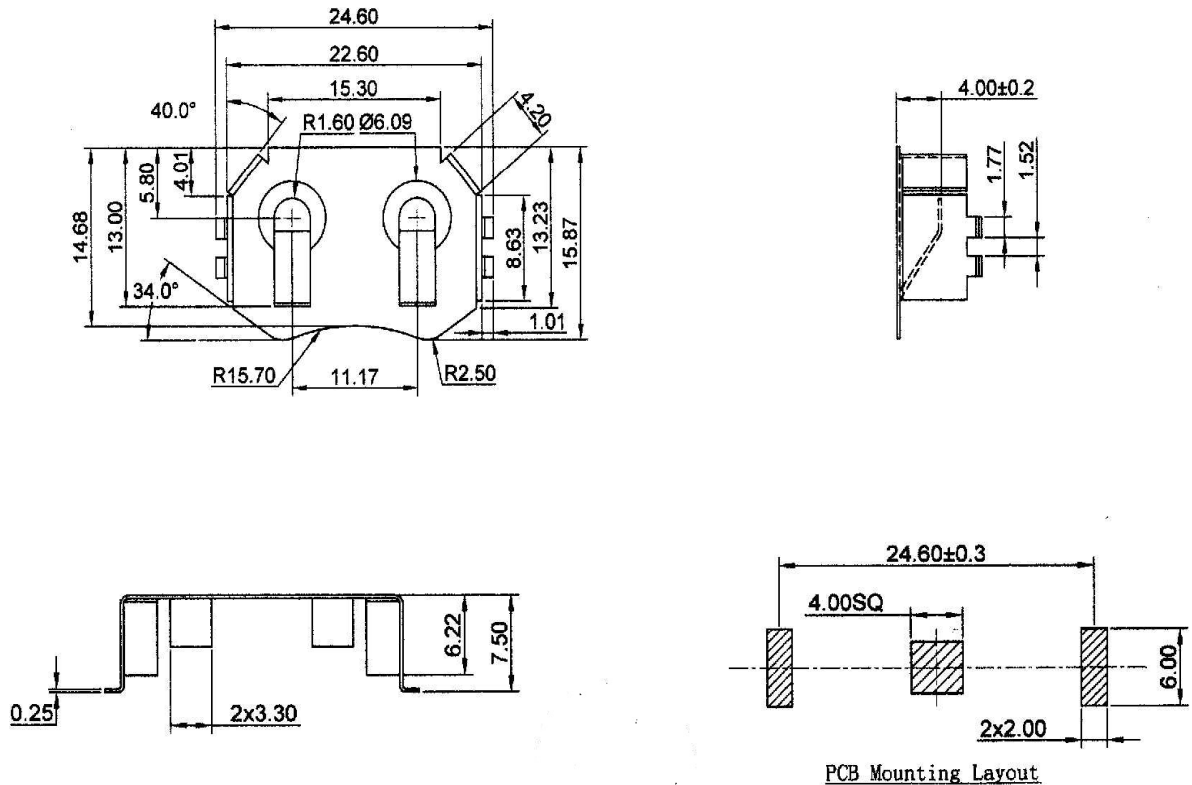
# RS Pro Battery Holder



## 1. Preface:

The purpose of this product specification is to Dimension and drawing

# Metal Coin Cell Holder CR2032



## SPECIFICATION

- (1) ITEM NO. : 1854661
- (2) MATERIAL: 0.25MM PHOSPHOR BRONZE NICKEL PLATED
- (3) USE MINIMUM BEND RADII
- (4) RoHS COMPLIANT

Measure: mm