



ENGLISH

Datasheet

RS Article:1854781

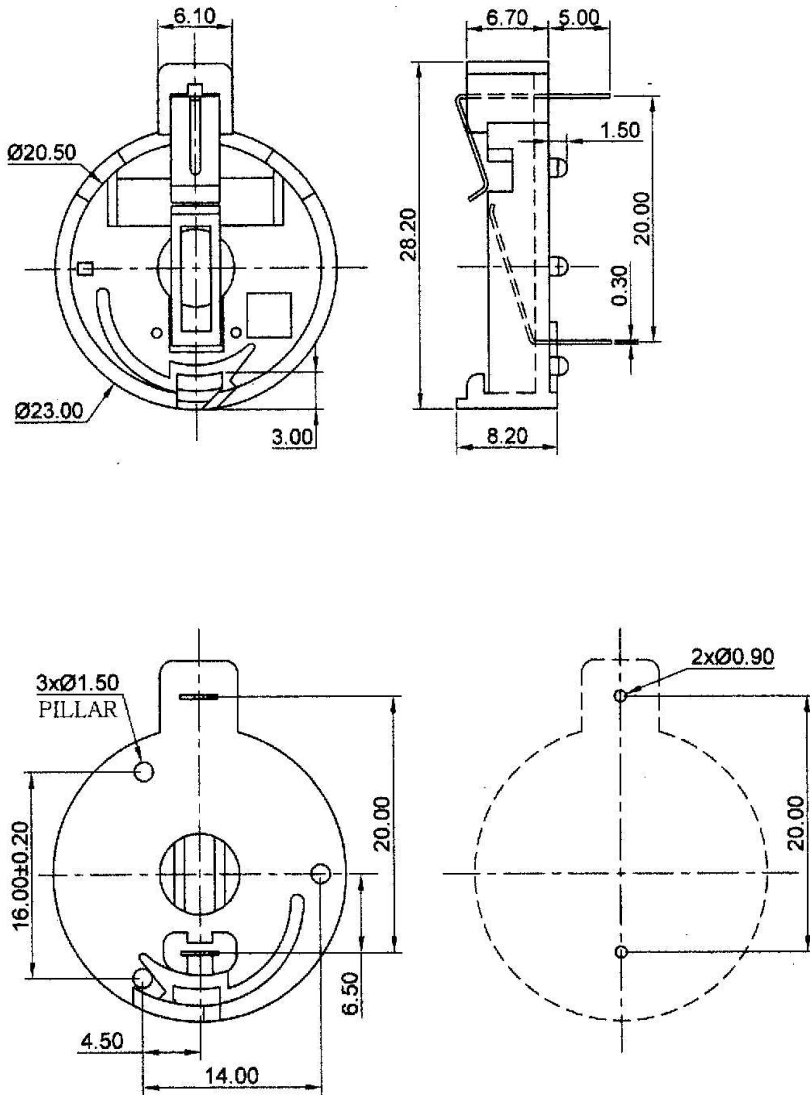
# RS Pro Battery Holder



## 1. Preface:

The purpose of this product specification is to Dimension and drawing

# CR2032



PCB MOUNTING LAYOUT

### NOTES:

#### 1. MATERIAL:

HOUSING : NYLON 66+15%GF UL94V0 BLACK COLOR

CONTACT : PHOSPHOR BRONZE 0.30MM THK

TIN PLATED OVER NICKEL

2. CURRENT RATING : 2A (AC/DC)

3. VOLTAGE RATING : 500V (AC/DC)

4. CONTACT RESISTANCE : 30 MILLIOHMS

5. INSULATION RESISTANCE : 1000 MEGAOHMS

6. TEMPERATURE RANGE : -55°C TO +105°C

7. HUMIDITY : 40°C AND 90-95% RH FOR 96 HOURS

8. RoHS COMPLIANT

**Measure: mm**