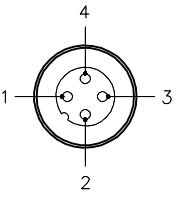
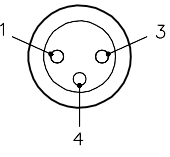
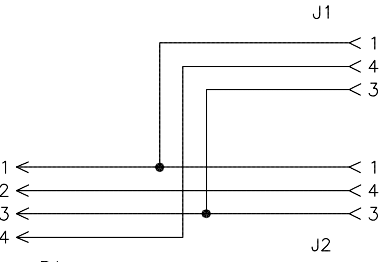


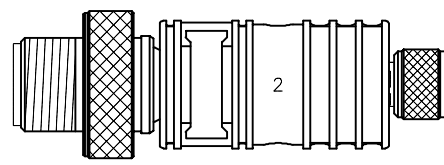
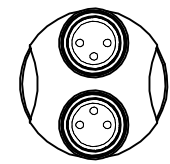
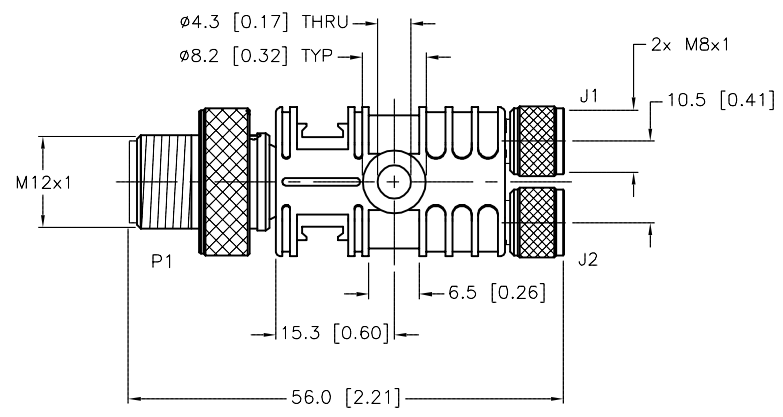
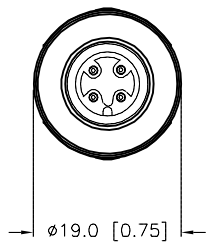
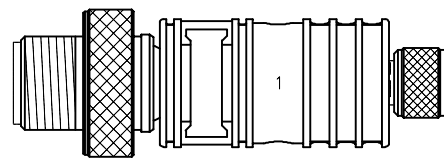
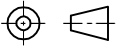



MALE END VIEW	FEMALE END VIEW	WIRING DIAGRAM	SPECIFICATIONS																	
			<table border="1"> <tr><td>CONTACT CARRIER MATERIAL/COLOR</td><td>NYLON OR TPU/BLACK</td></tr> <tr><td>MOLDED HEAD MATERIAL/COLOR</td><td>TPU/YELLOW</td></tr> <tr><td>CONTACT MATERIAL/PLATING</td><td>BRASS/GOLD</td></tr> <tr><td>COUPLING NUT MATERIAL/PLATING</td><td>BRASS/NICKEL</td></tr> <tr><td>RATED CURRENT [A]</td><td>4.0 A</td></tr> <tr><td>RATED VOLTAGE [V]</td><td>60 VAC/75 VDC</td></tr> <tr><td>TEMPERATURE RANGE</td><td>-40°C to +105°C (-40°F to +221°F)</td></tr> <tr><td>PROTECTION CLASS</td><td>MEETS NEMA 1,3,4,6P AND IEC IP67</td></tr> </table>	CONTACT CARRIER MATERIAL/COLOR	NYLON OR TPU/BLACK	MOLDED HEAD MATERIAL/COLOR	TPU/YELLOW	CONTACT MATERIAL/PLATING	BRASS/GOLD	COUPLING NUT MATERIAL/PLATING	BRASS/NICKEL	RATED CURRENT [A]	4.0 A	RATED VOLTAGE [V]	60 VAC/75 VDC	TEMPERATURE RANGE	-40°C to +105°C (-40°F to +221°F)	PROTECTION CLASS	MEETS NEMA 1,3,4,6P AND IEC IP67	
CONTACT CARRIER MATERIAL/COLOR	NYLON OR TPU/BLACK																			
MOLDED HEAD MATERIAL/COLOR	TPU/YELLOW																			
CONTACT MATERIAL/PLATING	BRASS/GOLD																			
COUPLING NUT MATERIAL/PLATING	BRASS/NICKEL																			
RATED CURRENT [A]	4.0 A																			
RATED VOLTAGE [V]	60 VAC/75 VDC																			
TEMPERATURE RANGE	-40°C to +105°C (-40°F to +221°F)																			
PROTECTION CLASS	MEETS NEMA 1,3,4,6P AND IEC IP67																			
																				



SOURCE DRAWING - FOR REFERENCE ONLY

NOTES:
1. "/S857" DESIGNATES MOUNTING HOLE.

RELATED DOCUMENTS 1. 2. 3. 4.	3RD ANGLE PROJECTION 	THIS DRAWING IS CONFIDENTIAL AND THE PROPERTY OF TURCK INC. USE OF THIS DOCUMENT WITHOUT WRITTEN PERMISSION IS PROHIBITED.	<div style="text-align: right;"> <p>3000 CAMPUS DRIVE MINNEAPOLIS, MN 55441 1-800-544-7769 (763) 553-7300 (763) 553-0708 fax www.turck.us</p> </div> <div style="text-align: center;">  </div>																								
MATERIAL SEE SPECIFICATIONS FINISH SEE SPECIFICATIONS	ALL DIMENSIONS DISPLAYED ON THIS DRAWING ARE FOR REFERENCE ONLY CONTACT TURCK FOR MORE INFORMATION	<table border="1"> <tr><td>DRFT</td><td>RDS</td><td>DATE</td><td>05/16/03</td></tr> <tr><td>APVD</td><td></td><td>SCALE</td><td>1=1.0</td></tr> <tr><td colspan="4" style="text-align: center;">UNIT OF MEASUREMENT</td></tr> <tr><td colspan="4" style="text-align: center;">MILLIMETER [INCH]</td></tr> </table>	DRFT	RDS	DATE	05/16/03	APVD		SCALE	1=1.0	UNIT OF MEASUREMENT				MILLIMETER [INCH]				<table border="1"> <tr><td colspan="2">DESCRIPTION</td></tr> <tr><td colspan="2">VBRS 4.4-2SKM 3/S857</td></tr> <tr><td>IDENTIFICATION NO.</td><td>REV</td></tr> <tr><td>U0117-11</td><td>C</td></tr> </table>	DESCRIPTION		VBRS 4.4-2SKM 3/S857		IDENTIFICATION NO.	REV	U0117-11	C
DRFT	RDS	DATE	05/16/03																								
APVD		SCALE	1=1.0																								
UNIT OF MEASUREMENT																											
MILLIMETER [INCH]																											
DESCRIPTION																											
VBRS 4.4-2SKM 3/S857																											
IDENTIFICATION NO.	REV																										
U0117-11	C																										
<table border="1"> <tr><td>C</td><td>DRAWING PROCESSED AS PART OF ECO 33971</td><td>CBM</td><td>04/07/11</td><td>33971</td></tr> <tr><td>REV</td><td>DESCRIPTION</td><td>BY</td><td>DATE</td><td>ECO NO.</td></tr> </table>	C	DRAWING PROCESSED AS PART OF ECO 33971	CBM	04/07/11	33971	REV	DESCRIPTION	BY	DATE	ECO NO.			DO NOT SCALE THIS DRAWING	FILE: U0117-11 SHEET 1 OF 1													
C	DRAWING PROCESSED AS PART OF ECO 33971	CBM	04/07/11	33971																							
REV	DESCRIPTION	BY	DATE	ECO NO.																							