

IndustrialNet™ Single Service Ports

specifications

Industrial connectors shall be applicable for use in light-manufacturing or industrial environments. Industrial connectors shall be prepackaged with Mini-Com® modules for both ethernet and AV solutions that meet/exceed the ANSI/TIA-568.2-D standards of performance. The connectors shall fit in a standard 30.5mm punch hole, wall thickness 1mm - 7mm, and shall have an anti-rotation feature. Termination to a 4-pair 22-26 AWG 100 ohm twisted pair cable shall not require the use of a punchdown tool.



technical information

IEC compliance:	Connector meets IEC 60603-7 specifications
FCC and ANSI/TIA compliance:	Connector meets ANSI/TIA-1096-A; contacts plated with 50 microinches of gold for superior performance
IP compliance:	Single Service Port rated IP20 with standard connectors, rated IP40 with shuttered connectors
RoHS compliancy status:	Compliant
PoE compliance:	Meets IEEE 802.3af and IEEE 802.3at for PoE applications
Material:	Single Service Port is constructed of black polycarbonate plastic, UL94 V-0/5VA rated
Temperature rating:	-4°F to 158°F (-20°C to 70°C) during operation
Electrical/mechanical performance:	Mechanical interface meets all ODVA Ethernet/IP* mechanical performance requirements
Packaging:	SSP Adapter and Mini-Com® module - includes adapter mounting nut
Conductor termination range:	Wire cap compatible with 22 – 26 AWG solid or stranded cable with conductor insulation diameters of 0.060 in. (1.5mm) max. and overall cable O.D. 0.200 in. (5.1mm) to 0.330 in. (8.4mm)

key features and benefits

Standard 30.5mm punch fitting	Fits into optional faceplate as well as standard IEC 1-13/64 in. (30.5mm) diameter mounting hole
Mini-Com® connectivity	Industry leading copper connectivity provides top end connections
Robust construction	Includes contact plated with 50 microinches of gold to support reliable, error-free data transmission
Connector mounting nut	Holds the Single Service Port safely and securely from inside of the enclosure
RJ45 interface	Offers industry standard solution familiar to end users which speeds deployment
Patented Giga-TX™ Technology	Connector with TX™ Style termination optimizes performance by reducing conductor untwist to less than 1/8 in.
Universal wiring scheme	Provides color coded termination cap for T568A and T568B wiring schemes
No punchdown tool required	Terminates with standard adjustable slipjaw pliers or optional termination tool (EGJT); saves money on purchase of new tools

applications

IndustrialNet™ Single Service Ports provide an ideal solution to support industrial Ethernet from the Local Area Network (LAN) based support offices to the processing devices. Innovative design features provide a secure, reliable connection for superior data transmission in temperature extremes and in applications with vibration. High temperature resilience of up to 85°C storage and 70°C

operating offers reliable connection in manufacturing facilities such as metal processing, welding, and chemical batch processing where high temperatures are normal. In automotive/transportation panels and vehicles where vibration is a concern, the IndustrialNet™ Single Service Ports offer quick access to data in light-industrial applications.

IndustrialNet™ Single Service Port (SSP)

Blank SSP: ISSP2BL

IndustrialNet™ Single Service Port (SSP) with Mini-Com® Copper Jack Modules

Cat 6A STP:	ISSP2SJ6XNNBL
Cat 6A UTP:	ISSP2UJ6XNNBL
Cat 6A UTP Coupler:	ISSP2UC6XNNBL
Cat 6A STP Shuttered:	ISSP2SJ6XSNNBL
Cat 6 STP:	ISSP2SJ6NNBL
Cat 6 UTP:	ISSP2UJ6NNBL
Cat 6 UTP Coupler:	ISSP2UC6NNBL
Cat 6 STP Shuttered:	ISSP2SJ6SNBL
Cat 5e STP:	ISSP2SJ5ENNBL
Cat 5e UTP:	ISSP2UJ5ENNBL
Cat 5e UTP Coupler:	ISSP2UC5ENNBL
Cat 5e STP Shuttered:	ISSP2SJ5ESNBL
USB A-A Coupler:	ISSP2UC1NNBL
Cat 6 UTP Corrosive Resistant:	ISSP2UJ6CNBL
3.5mm Stereo Connector:	ISSP2UC2NNBL

IndustrialNet™ Category 6A Shielded 600 V-Rated Patch Cords

CM/CMX: ^ISTPH6X1M**

IndustrialNet™ Category 5e Shielded 600 V-Rated Patch Cords

CM/CMX: ^ISTPHCH1M**

IndustrialNet™ Category 5e SF/UTP Stranded Copper Cable

CM 4-pair: ISFCH5C04A**-XG

IndustrialNet™ Category 6A SF/UTP Stranded Copper Cable

CM 4-pair: ISFCH6X04A**-XG

IndustrialNet™ Stainless Steel Faceplates

Single gang: IAFFP1

Double gang: IAFFP2-2G

Tools and Accessories

Termination tool (optional): EGJT or TGJT

Wire snipping tool: CWST

Wire snipping tool: CJAST

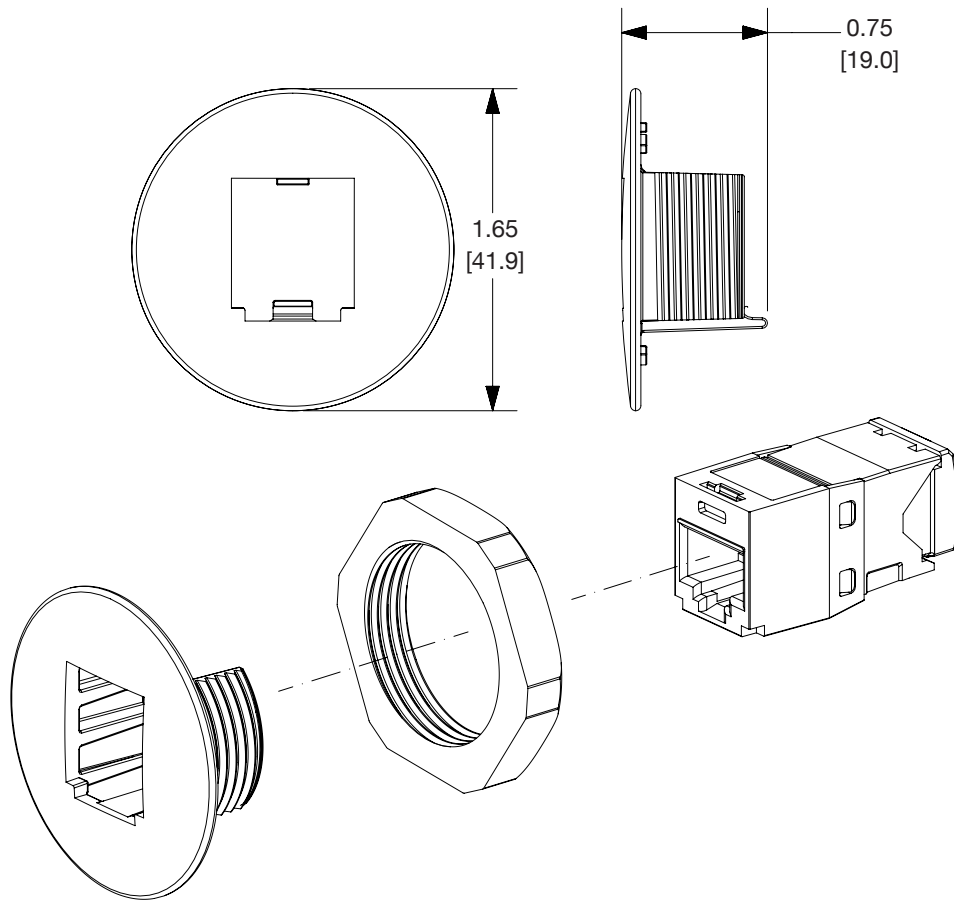
Greenlee 30.5mm panel punch: 783310016687

Greenlee Nibbler panel punch feature: 783310265344

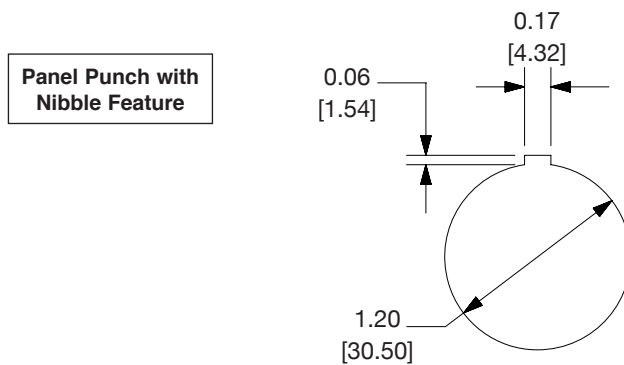
^For other lengths, change the length in the part number, to the desired length (0.3M, 0.6M, 1M, 2M, 3M, 4M, 5M, 7M, 10M, 15M, or 20M)

**To designate color, add suffix TL (Teal) or BL (Black).

dimensions



single service port cutout opening requirements:



Dimensions are in inches. [Dimensions in brackets are metric].

WORLDWIDE SUBSIDIARIES AND SALES OFFICES

PANDUIT US/CANADA
Phone: 800.777.3300

PANDUIT EUROPE LTD.
London, UK
Phone: 44.20.8601.7200

PANDUIT SINGAPORE PTE. LTD.
Republic of Singapore
Phone: 65.6305.7575

PANDUIT JAPAN
Tokyo, Japan
Phone: 81.3.6863.6000

PANDUIT LATIN AMERICA
Guadalajara, Mexico
Phone: 52.33.3777.6000

PANDUIT AUSTRALIA PTY. LTD.
Victoria, Australia
Phone: 61.3.9794.9020

For a copy of Panduit product warranties, log on to www.panduit.com/warranty

For more information
Visit us at www.panduit.com

Contact Customer Service by email: cs@panduit.com
or by phone: 800.777.3300

PANDUIT®

© 2019 Panduit Corp.
ALL RIGHTS RESERVED.
Printed in the U.S.A.
COSP467--WW-ENG
6/2019