



har-flexicon 2.54 PCB male connector, vertical



General information

| | | |
|-------------------------------|--|---|
| Design | PCB male connector, vertical | |
| No. of contacts | 2-12 pole | |
| Contact pitch | 2,54 mm | |
| Test voltage | 2,5 kV | |
| Rated voltage | 160 V | overvoltage category III / pollution degree 2 |
| Contact resistance | max. 20mOhm | |
| Insulation resistance | min. 10 ⁹ Ohm | |
| Working current | 7.3 A at 70°C (tested with AWG20, see derating diagram) | |
| Temperature range | -40°C ... +125°C | |
| Termination technology | SMT | |
| Reflow processing temperature | 20s at 255°C | |
| Clearance & creepage distance | Clearance: 1,5 mm | Creepage: 1,6 mm |
| Insertion force | max. 5 N per contact | |
| Withdrawal force | min. 1 N per contact | |
| Mating cycles | 10 cycles | |
| Hot plugging | No | |
| vibration | 5-150Hz, 0,35mm, 5g, 2h each axis | |

| | |
|------------------|----------|
| RoHS - compliant | Yes |
| UL file | E 102079 |

Insulator material

| | |
|---------------------------------|---|
| Material | LCP (liquid crystalline polymer, glass fiber reinforcement 30%) |
| Color | black |
| UL classification | UL 94-V0 |
| Material group acc. IEC 60664-1 | IIIa (175 < CTI < 400) |
| NFF classification | - |

Contact material

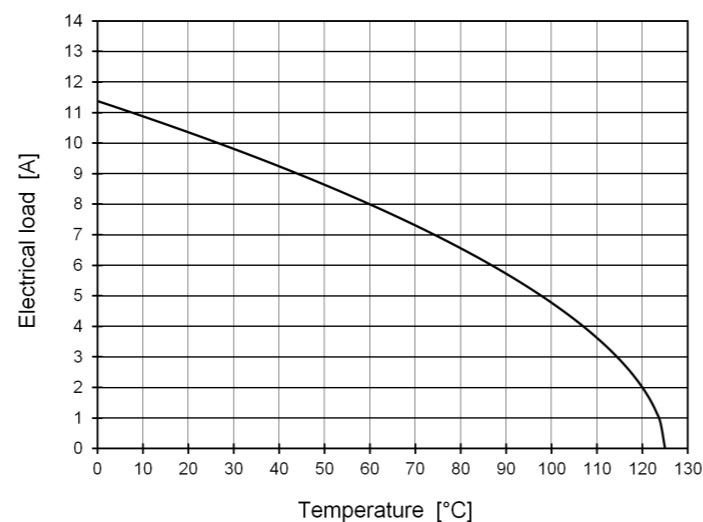
| | |
|--------------------------|--------------|
| Contact material | Copper alloy |
| Plating termination zone | Sn over Ni |
| Plating contact zone | Sn over Ni |

Derating diagram acc. to IEC 60512-5-2 (Current carrying capacity)

The current carrying capacity is limited by maximum temperature of materials for inserts and contacts including terminals.

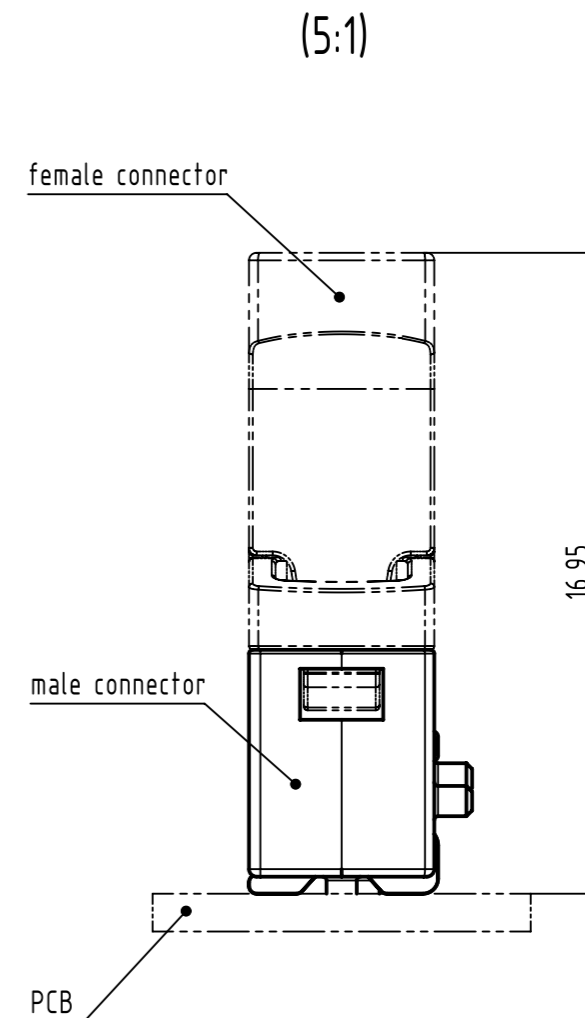
The current capacity curve is valid for continuous, non interrupted current loaded contacts of connectors when simultaneous power on all contacts is given, without exceeding the maximum temperature.

Control and test procedures according to DIN IEC 60512-5-2



tested with AWG20

Application information



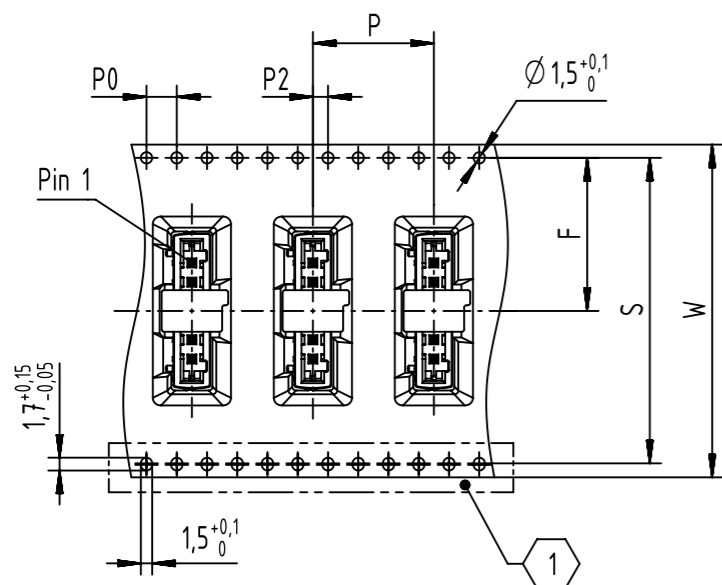
| | | | | | | |
|---|-----------------------|--|---------------------------|-----------------------------|--|------------------------|
| | All rights reserved | Created by HAGEMEYERE | Inspected by ELLERMANN | Standardisation HOFFMANN | Date 2017-01-12 | State Final Release |
| | Department EC PD - DE | Title har-flexicon 2.54 male connector vertical | | | Doc-Key / ECM-Nr. 100550614/UGD/001/C 500000113685 | |
| HARTING Electronics GmbH D-32339 Espelkamp | | Type DS | Number 14111400301 | | Rev. C | Page 1/2 |



har-flexicon 2.54 PCB male connector, vertical



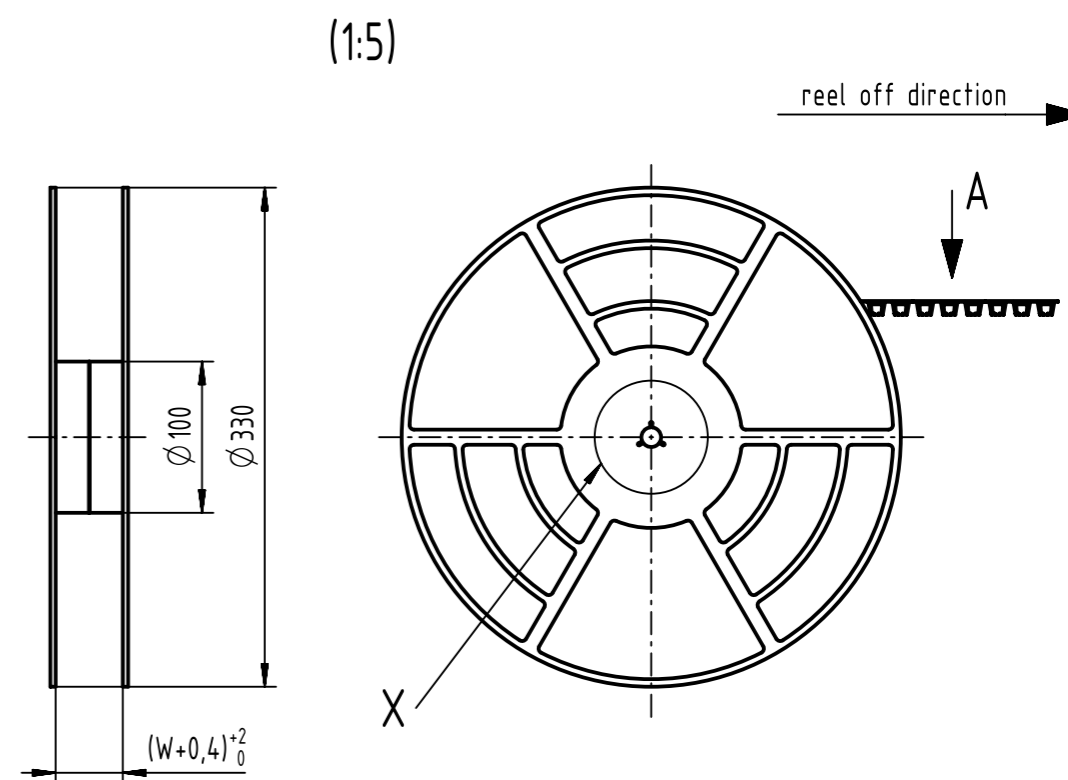
Packaging & tape layout



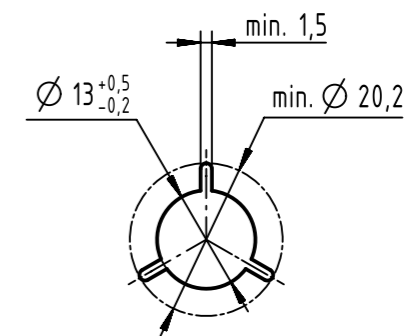
| pole | W [mm] | F [mm] | S [mm] | P2 [mm] | P [mm] | P0 [mm] |
|------|--|------------|------------|------------|------------|-----------|
| 2 | 24,0 ^{+0,3} / _{-0,1} | 11,5 ± 0,1 | | 2,0 ± 0,1 | 16,0 ± 0,1 | 4,0 ± 0,1 |
| 3 | | | | | | |
| 4 | 32,0 ± 0,3 | 14,2 ± 0,1 | 28,4 ± 0,1 | 2,0 ± 0,1 | 16,0 ± 0,1 | 4,0 ± 0,1 |
| 5 | | | | | | |
| 6 | | | | | | |
| 7 | | | | | | |
| 8 | 44,0 ± 0,3 | 20,2 ± 0,1 | 40,4 ± 0,1 | 2,0 ± 0,15 | 16,0 ± 0,1 | 4,0 ± 0,1 |
| 9 | | | | | | |
| 10 | | | | | | |
| 11 | 56,0 ± 0,3 | 26,2 ± 0,1 | 52,4 ± 0,1 | 2,0 ± 0,15 | 16,0 ± 0,1 | 4,0 ± 0,1 |
| 12 | | | | | | |

1 no double sprocket holes for 2- and 3-pole numbers

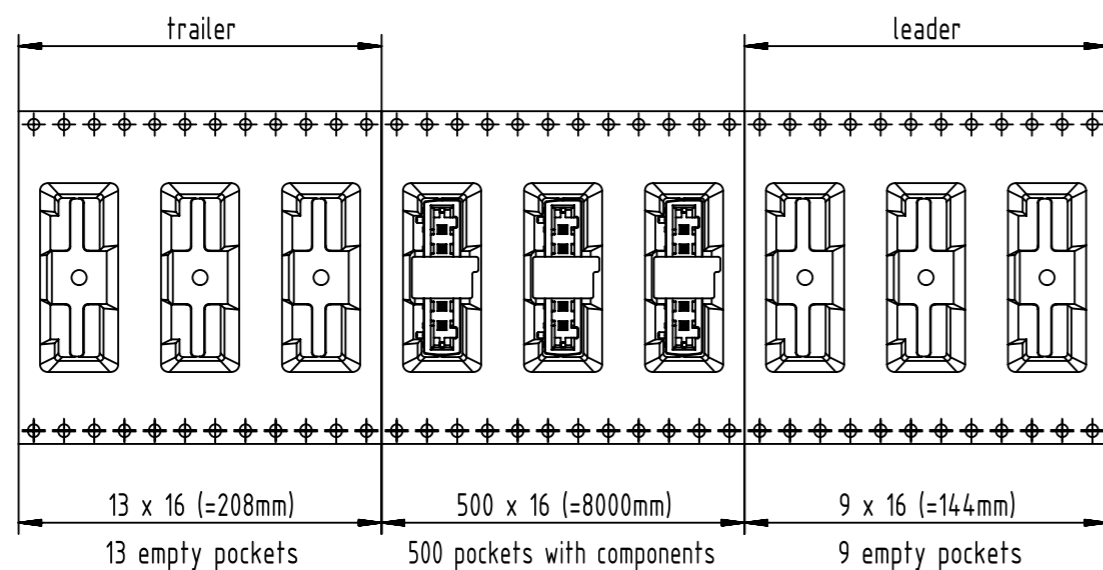
Reel dimensions



X (1:1)



A



| Packaging | Index |
|-------------------------------------|-------|
| tape and reel with 500 pcs per reel | 000 |
| tape with 1 pcs | 333 |

| | |
|-------------|----------------|
| part-number | 1411XX130YYXXX |
|-------------|----------------|

01 with guiding pin
11 w/o guiding pin

| | | | | |
|---|--|--|---------------------------|--|
| | All Dimensions in mm Original Size DIN A3 | Scale 1:1 | Free size tol. | Ref. |
| | | | | Sub. |
| | All rights reserved | Created by HAGEMEYERE | Inspected by ELLERMANN | Standardisation HOFFMANN |
| | Department EC PD - DE | Title har-flexicon 2.54 male connector vertical | | Date 2017-01-12 |
| HARTING Electronics GmbH D-32339 Espelkamp | | Type DS | Number 14111400301 | State Final Release |
| | | | | Doc-Key / ECM-Nr. 100550614/UGD/001/C 500000113685 |
| | | | | Rev. C |
| | | | | Page 2/2 |