

5280

Decora Plus Surge Protective Duplex Receptacle Outlet, Commercial Specification Grade, 15 Amp, 125 Volt, Back or Side Wire, NEMA 5-15R, 2-Pole, 3-Wire, Self-Grounding - Brown

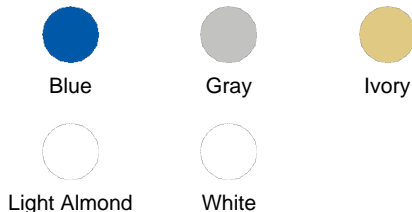


UPC Code : 078477008805

Country Of Origin : Mexico



Available Colors :



Leviton's Surge Protection Devices can be used individually or as part of a coordinated application strategy, to protect sensitive electronic equipment, in industrial, commercial and residential locations, from the stress and degradation inflicted by voltage transients. Leviton Surge Protection Devices are compliant with UL 1449 Standards. Leviton's outstanding Surge Protection Devices divert damaging voltage transients, or surges, away from electronic equipment. Transients are diverted away from sensitive micro circuitry, providing protection against catastrophic failure, costly downtime and data disruptions.

Technical Information

Electrical Specifications

Amperage : 15 A

Current Limiting : Full Rated Current

Dielectric Voltage : Withstands 2000V per UL498

Grounding : Self-Grounding

Pole : 2

Temperature Rise : Max 30C after 250 cycles OL at 200 percent rated current

Voltage : 125 VAC

Wire : 3

Environmental Specifications

Flammability : Rated V-2 per UL 94

Operating Temperature : -40°C to 60°C

Material Specifications

Body Material : Thermoplastic Nylon

Clamp Nuts : Zinc-Plated Steel

Face Material : Thermoplastic Nylon

Ground Clips : Brass-Plated Steel

Grounding Screw : Brass-Plated Steel

Line Contacts : Brass Triple-Wipe

Shutter Mechanism : Delrin® Acetal

Terminal Screws : Brass-Plated Steel

Yoke : Zinc-Plated Steel

Mechanical Specifications

Product ID : Ratings are permanently marked on device

Terminal Accom. : 14-10 AWG

Terminal ID : Brass-Hot, Green-Ground, Silver-Neutral

Termination : Back or Side Wire

Torque Range : 14-16 inch pounds

Performance Data

Diagnostics : Indicator Light

Joules Rating : 720

MCOV : 150V rms

Maximum Surge Current, Per Mode (Per Phase) : 27kA (L-N:18kA, L-G:9kA)

Noise Rejection : -30dB at 500kHz-30MHz

Nominal Discharge Current Rating : 10kA

Short Circuit Current Rating : 5kA

VPR : L-N: 600V, L-G: 700V, N-G: 600V

Product Features

Body Material : Thermoplastic Nylon

Brand : Decora Plus

Color : Brown

Device Type : Duplex Receptacle Outlet

Face Material : Thermoplastic Nylon

Function : Surge Protective

Grade : Commercial Specification Grade

NEMA : 5-15R

Standards and Certifications

ANSI : C-73

Agency Certifications : UL 498, UL 1449 3rd Edition Listed and CSA C22.2 Certified Type 3

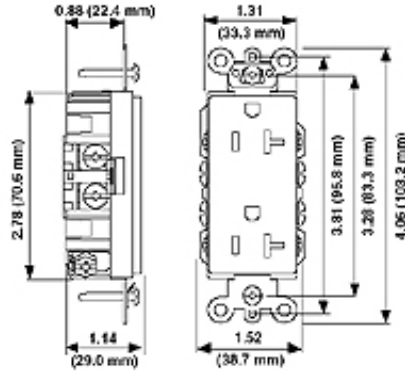
NEMA : WD-6

NOM : 057

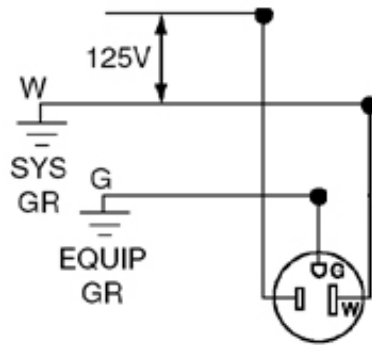
Warranty

Warranty : 5-Year Limited

Dimensional Diagram



Wiring Diagram



5-15R

SPECIFICATION SUBMITTAL

JOB NAME: <input style="width: 95%;" type="text"/>	CATALOG NUMBERS: <input style="width: 95%;" type="text"/>
JOB NUMBER: <input style="width: 95%;" type="text"/>	<input style="width: 95%;" type="text"/>

Leviton Manufacturing Co., Inc.

201 North Service Road, Melville, NY 11747

Telephone: +1-800-323-8920 · FAX: +1-800-832-9538 · Tech Line (8:30AM-7:30PM E.S.T. Monday-Friday):

+1-800-824-3005

Leviton Manufacturing of Canada, Ltd.

165 Hymus Boulevard, Pointe Claire, Quebec H9R 1E9 · Telephone: +1-800-469-7890 ·

FAX: +1-800-824-3005 · www.leviton.com/canada

Leviton S. de R.L. de C.V.

Lago Tana 43, Mexico DF, Mexico CP 11290 · Tel.: (+52)55-5082-1040 · FAX: (+52)5386-

1797 · www.leviton.com.mx

Visit our Website at: www.leviton.com

© 2018 Leviton Manufacturing Co., Inc. All Rights Reserved. Subject to change without notice.

Leviton has a global presence.

If you would like to know where your local Leviton office is located please go to:

www.leviton.com/international/contacts/

