

Ground Fault Products
 Straight Blade Portable GFCI Plugs
 15 Ampere, 120 Volts AC, 2 Pole, 3 Wire
 Grounding

HUBBELL

Ordering Information

Description	Rating	UPC	Catalog Number
Circuit Guard® wired on commercial portable GFCI plug automatic set field wireable, black	2 pole, 3 wire grounding, 15A, 125V, NEMA 5-15P	783585690773	GFP515A

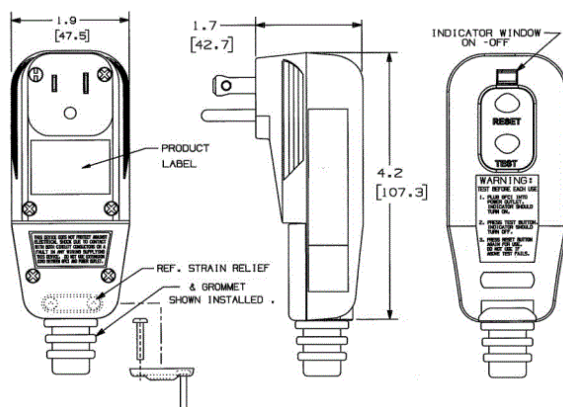


Listings

UL Listed
 CSA Certified
 NEC® and CEC requirements

Specifications

Body	Polycarbonate
Blades	Brass
Buttons	Polycarbonate
Strain Relief	Elastomer
Cord Grip	Polycarbonate
Screws	Zinc plated steel



Online Resources

Customer Use Drawing
 eCatalog
 Installation Instructions

Dimensions in Inches (mm)

Hubbell Wiring Device-Kellems • Hubbell Incorporated (Delaware) • 40 Waterview Drive • Shelton, CT 06484

Phone (800) 288-6000 • Fax (800) 255-1031 • Specifications subject to change without notice.

