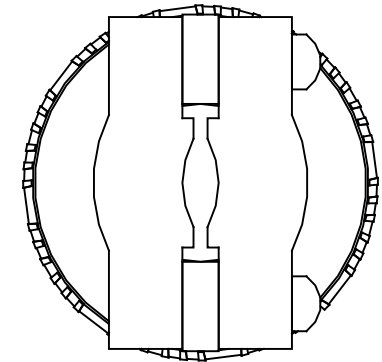
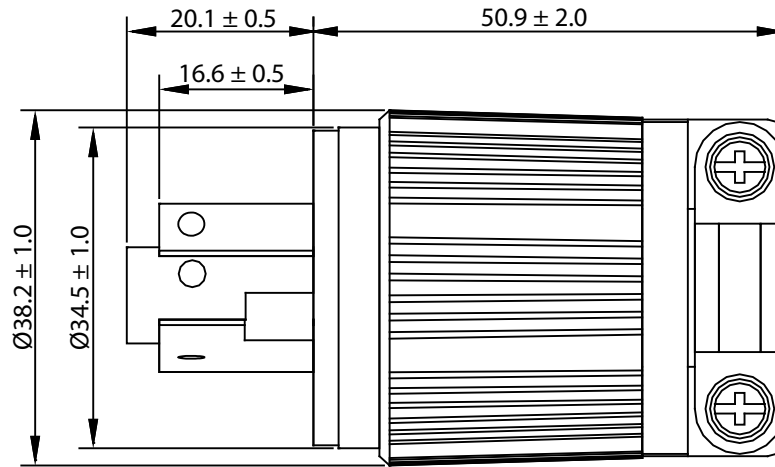
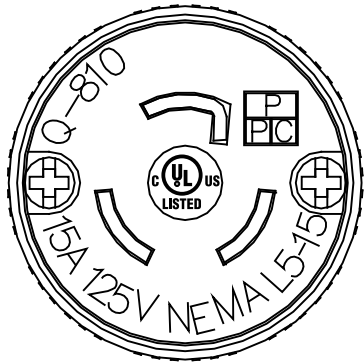


THESE DRAWINGS ARE THE PROPERTY OF QUALTEK ELECTRONICS AND NOT TO BE REPRODUCED FOR OR COMMUNICATED TO A THIRD PARTY WITHOUT THE EXPRESS WRITTEN PERMISSION OF AN OFFICER OF QUALTEK ELECTRONICS.

REVISION			
REV.	DESCRIPTION	DATE	APPROVED



**CONTROLLED**

NOTES:

1. RATING: 15A 125VAC
2. COLOR: BLACK
3. CORD CLAMP: ACCEPTS 18/3 - 12/3 CABLE
4. TERMINAL I.D.:
  - A. GROUND TERMINAL SCREW: GREEN AND MARKED "GR"
  - B. LINE TERMINAL SCREW: BLACK
  - C. NEUTRAL TERMINAL SCREW: WHITE AND MARKED WITH "W"
5. APPROVALS: UL/cUL LISTED: E139592
6. ROHS COMPLIANT

Dim range (mm)	Tolerance +/- (mm)	Qualtek Electronics Corp. PPC DIVISION		
		Part Number:	Q-810	RoHS Compliant
0-1	0.15	Description: NEMA L5-15P LOCKING DEVICE		
1-6	0.20			
6-18	0.30			
18-50	0.50			
50-120	0.70	UNIT: mm		
120-250	0.90	Drawn / Date	Checked / Date	Approved / Date
250-500	1.20	R.Nuti 08-25-09	08-25-09	LY / 08-25-09