

XCSRC31MM12

RFID Safety switch-Standalone model-EDM +Manual Start-2 new re-pairing enabled

Product availability: Stock - Normally stocked in distribution facility



Main

Range of product	Preventa Safety detection
Product or component type	Preventa RFID safety switch
Component name	XCSRC

Complementary

Design	Rectangular, standard
Size	Transponder 50 x 15 x 15 mm Reader 108.3 x 30 x 15 mm
Material	Valox
Electrical connection	1 male connector
Connector type	M12 male
Type of output stage	Solid-state, PNP
Safety outputs	2 NO
Number of poles	8
Local signalling	Green, orange and red 2 multi-colour LEDs
[Sao] assured operating sensing distance	0.39 in (10 mm) face to face
[Sar] assured release sensing distance	1.38 in (35 mm) face to face
Approach directions	3 directions-transponder with rotary sensing face
[Ue] rated operational voltage	24 V DC - 20...10 %)SELV or PELV EN/IEC 60204-1
[Ie] rated operational current	60 mA
[Ui] rated insulation voltage	30 V DC
[Uimp] rated impulse withstand voltage	0.8 kV IEC 60947-5-2
Protection type	Short-circuit protection
Maximum switching voltage	26.4 V DC
Switching capacity in mA	400 mA
Switching frequency	<= 0.5 Hz
risk time	120 ms
Response time	250 ms typical
Maximum delay first up	5 s
Tightening torque	< 1.5 N.m
Standards	ISO 14119 EN/IEC 60947-5-3 EN/IEC 60947-5-2
Product certifications	TÜV FCC E2 Ecolab CSA 22-2 EAC IC RCM

The information provided in this documentation contains general descriptions and/or technical characteristics of the products contained herein. This documentation is not intended as a substitute for and is not to be used for determining suitability or reliability of these products for specific user applications. It is the duty of any such user or integrator to perform the appropriate and complete risk analysis, evaluation and testing of the products with respect to the relevant specific application or use thereof. Neither Schneider Electric Industries SAS nor any of its affiliates or subsidiaries shall be responsible or liable for misuse of the information contained herein.

Marking	CULus IC EAC TUV RCM FCC CE
Safety level	SIL 3 EN/IEC 61508 SILCL 3 EN/IEC 62061 PL = e EN/ISO 13849-1 Category 4 EN/ISO 13849-1
Safety reliability data	PFH_D = 5E-10/h EN/IEC 62061 PFH_D = 5E-10/h EN/ISO 13849-1
Mission time	20 year(s)
Ambient air temperature for operation	-13...158 °F (-25...70 °C)
Ambient air temperature for storage	-40...185 °F (-40...85 °C)
Vibration resistance	10 gn 10...150 Hz)EN/IEC 60068-2-6
Shock resistance	30 gn 11 ms EN/IEC 60068-2-27
Electrical shock protection class	Class III EN/IEC 61140
IP degree of protection	IP65 EN/IEC 60529 IP66 EN/IEC 60529 IP67 EN/IEC 60529 IP69K DIN 40050

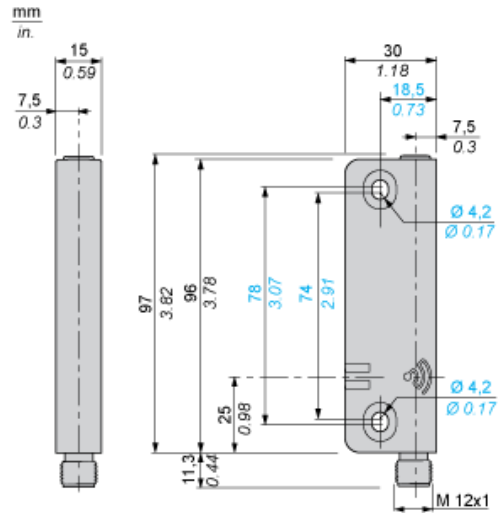
Ordering and shipping details

Category	22455 - LIGHT CURTAINS - XUSL
Discount Schedule	DS2
GTIN	00785901027553
Package weight(Lbs)	0.23 kg (0.5 lb(US))
Returnability	Yes
Country of origin	FR

Offer Sustainability

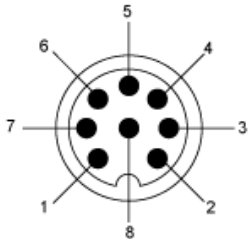
California proposition 65	WARNING: This product can expose you to chemicals including: Di-isodecyl phthalate (DIDP) and Diisononyl phthalate (DINP) which is known to the State of California to cause Carcinogen and Reproductive harm. For more information go to www.p65warnings.ca.gov
EU RoHS Directive	Not applicable, out of EU RoHS legal scope

Dimensions



Connections

M12 Connector, 8-pin

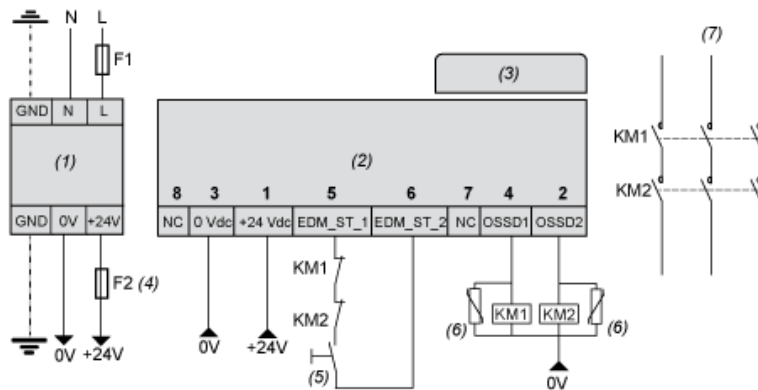


- (1) + 24 VDC
- (2) OSSD2
- (3) 0 VDC
- (4) OSSD1
- (5) EDM_ST_1
- (6) EDM_ST_2
- (7) NC (Not connected)
- (8) NC (Not connected)

Connections

Wiring Diagram

Cat. 4 / PL=e (EN/ISO 13849-1) / SIL3 (IEC 61508) / SILCL3 IEC 62061)

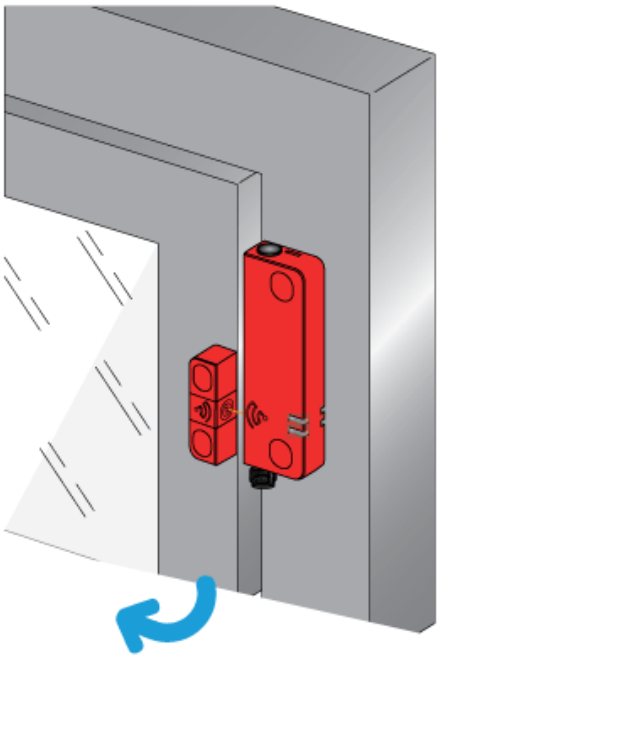
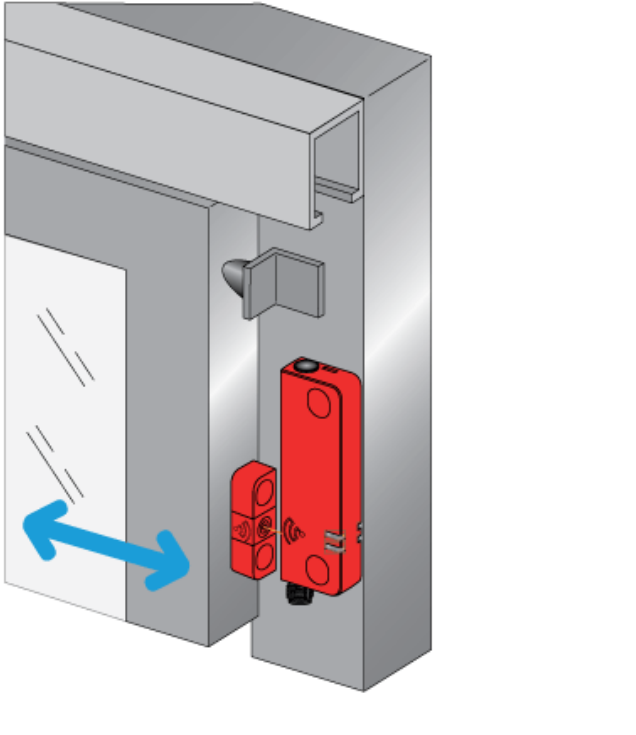


- (1) Power Supply
- (2) Reader
- (3) Transponder
- (4) 1 A max.
- (5) Restart
- (6) Use of arc suppressors for KM1 and KM2 is recommended.
- (7) Power circuit

NOTE: KM1 and KM2 contactors must have force-guided contacts.

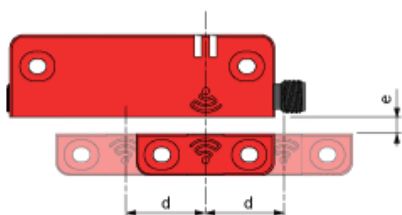
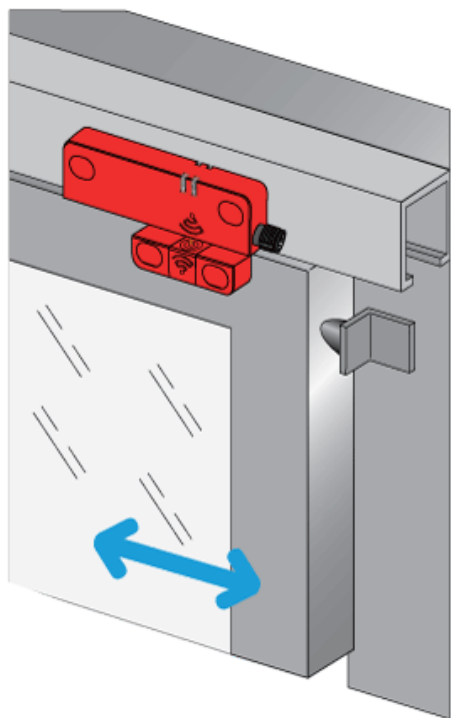
Mounting and Clearance

Face to Face Mounting (Preferred Configuration)

Example n°1	Example n°2
 <p data-bbox="236 1281 539 1482"> $e \text{ min.} = 2 \text{ mm}$ $e \text{ min.} = 0.08 \text{ in.}$ </p> <p data-bbox="150 1503 710 1554">e: Recommended minimum mounting distance between transponder and reader.</p>	 <p data-bbox="874 1281 1177 1482"> $e \text{ min.} = 2 \text{ mm}$ $e \text{ min.} = 0.08 \text{ in.}$ </p> <p data-bbox="820 1503 1380 1554">e: Recommended minimum mounting distance between transponder and reader.</p>

Face to Face Mounting (Preferred Configuration)

Example n°3



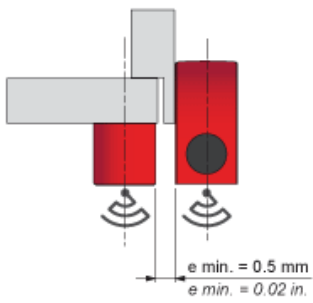
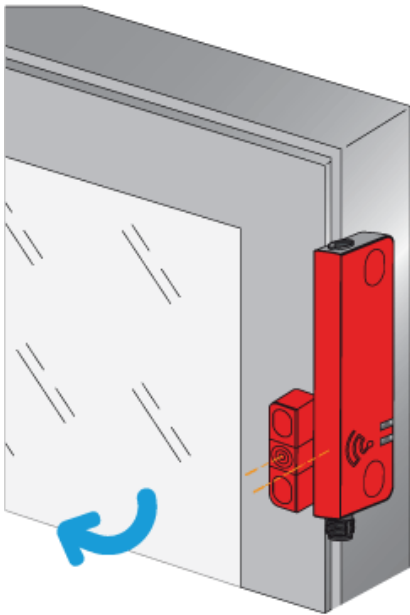
e > 2 mm. (e: recommended minimum mounting distance between transponder and reader)
min.

d : Detection limit

Mounting and Clearance

Side by Side Mounting

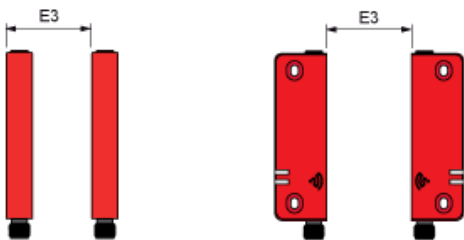
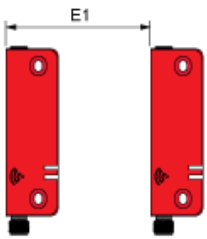
Correct Mounting Configuration



e: Recommended minimum mounting distance between transponder and reader.

Mounting and Clearance

Minimum Mounting Clearances between Safety Switches



Dimensions in mm

E1 min.	E2 min.	E3 min.
45	150	65

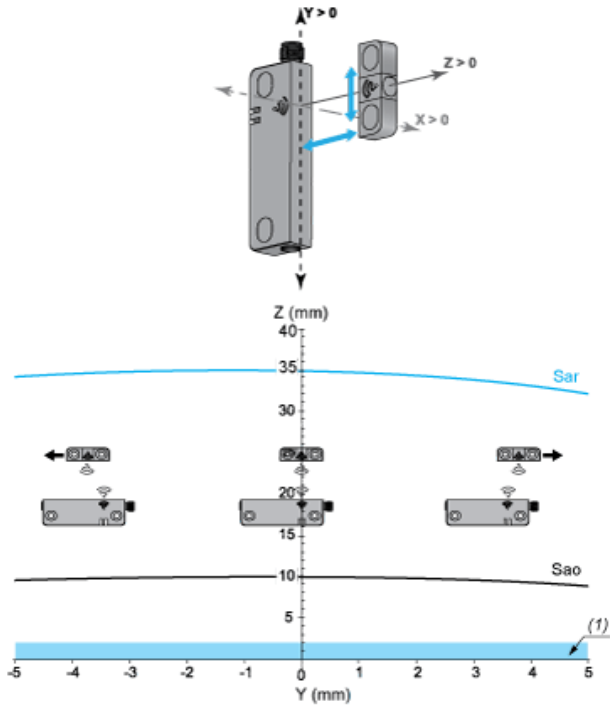
Dimensions in in.

E1 min.	E2 min.	E3 min.
1.77	5.91	2.56

Detection Curves

Face to Face Mounting (Preferred Configuration)

Sao and Sar sensing distances along Y axis as function of Z (longitudinal misalignment for X=0)

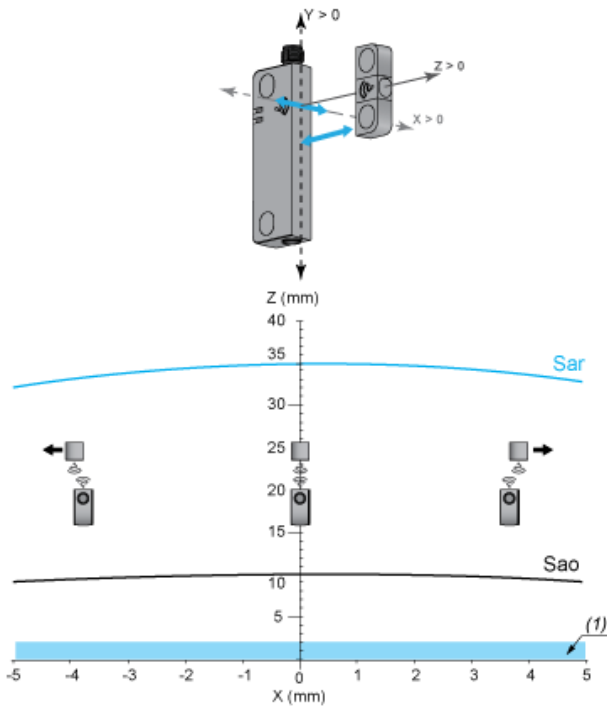


Sar: Assured release distance

Sao: Assured operating distance

(1) Recommended minimum mounting distance between transponder and reader.

Sao and Sar sensing distances along X axis as function of Z (transverse misalignment for Y=0)

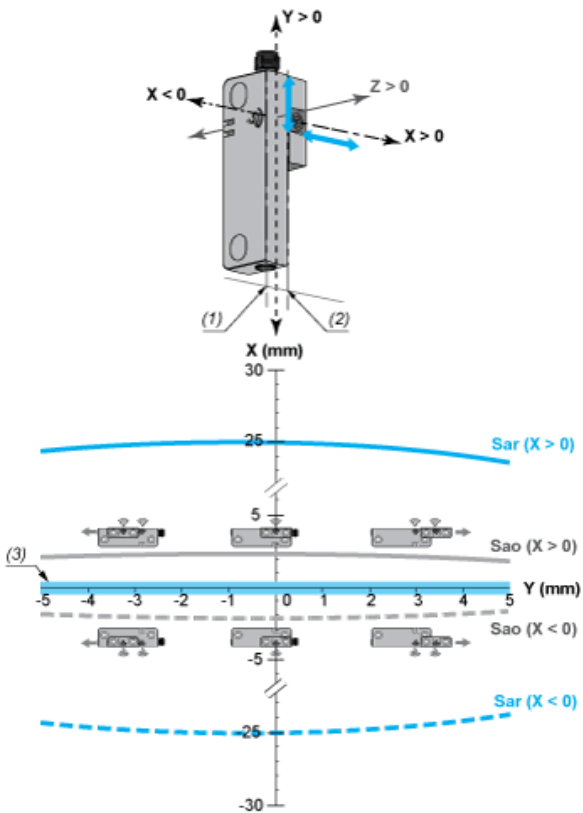


Sar: Assured release distance
 Sao: Assured operating distance
 (1) Recommended minimum mounting distance between transponder and reader.

Detection Curves

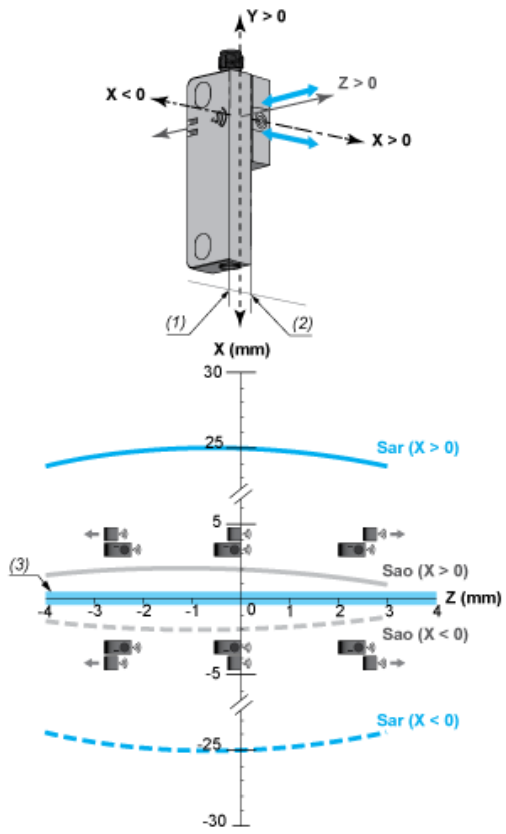
Side by Side Mounting

Sao and Sar sensing distances along Y axis as function of X (longitudinal misalignment for Z=0mm)



Sar: Assured release distance
 Sao: Assured operating distance
 (1) $X=0$ for $X < 0$
 (2) $X=0$ for $X > 0$
 (3) Recommended minimum mounting distance between transponder and reader.

Sao and Sar sensing distances along Z axis as function of X (transverse misalignment for Y=0mm)



Sar: Assured release distance

Sao: Assured operating distance

(1) $X=0$ for $X < 0$

(2) $X=0$ for $X > 0$

(3) Recommended minimum mounting distance between transponder and reader.