

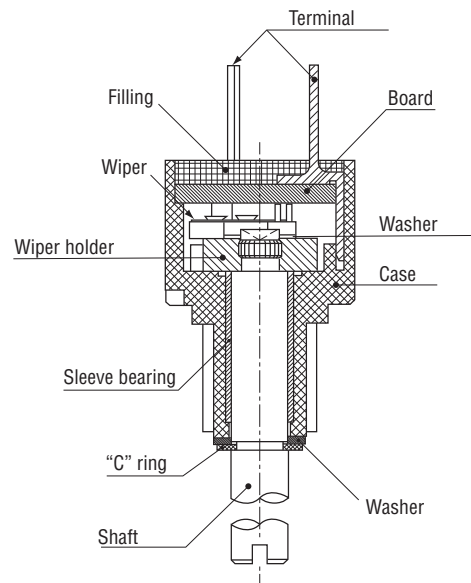
CONDUCTIVE PLASTIC SINGLE TURN TYPE

JC10 series

RoHS compliant



Basic construction Conductive plastic single turn type



FEATURES

- Compact (ϕ 10 mm)
- Long life
- High resolution (Essentially infinite)
- High following characteristics
- Cost effective
- RoHS compliant

PART NUMBER DESIGNATION

JC10-000-202N

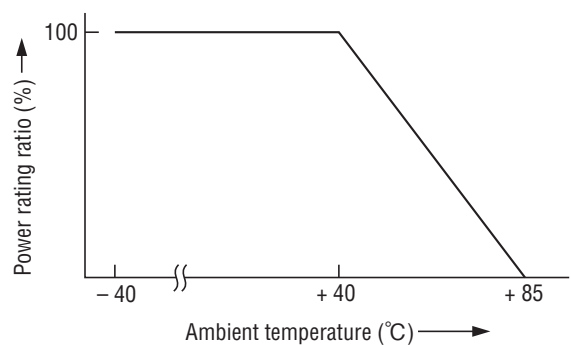
Series name

Nominal resistance value (Ω)
2 k, 5 k, 10 k

LIST OF PART NUMBERS

Nominal resistance value	Part number
2 k Ω	JC10-000-202N
5 k Ω	JC10-000-502N
10 k Ω	JC10-000-103N

RATED POWER DERATING CURVE



JC10 POTENTIOMETERS

STANDARD SPECIFICATIONS

Electrical characteristics

Nominal resistance value		2 kΩ, 5 kΩ, 10 kΩ
Resistance tolerance	%	± 20
Resolution		Essentially infinite
Independent linearity	%	± 2
Effective electrical angle		324° ± 5°
Power rating (at 40 °C)	W	0.125
Dielectric strength	Vrms	500, 1min
Insulation resistance	MΩ minimum	100 (at DC 500 V)
Temp. coefficient of resistance	ppm/°C	± 400
Output smoothness		0.1 % maximum

Mechanical characteristics

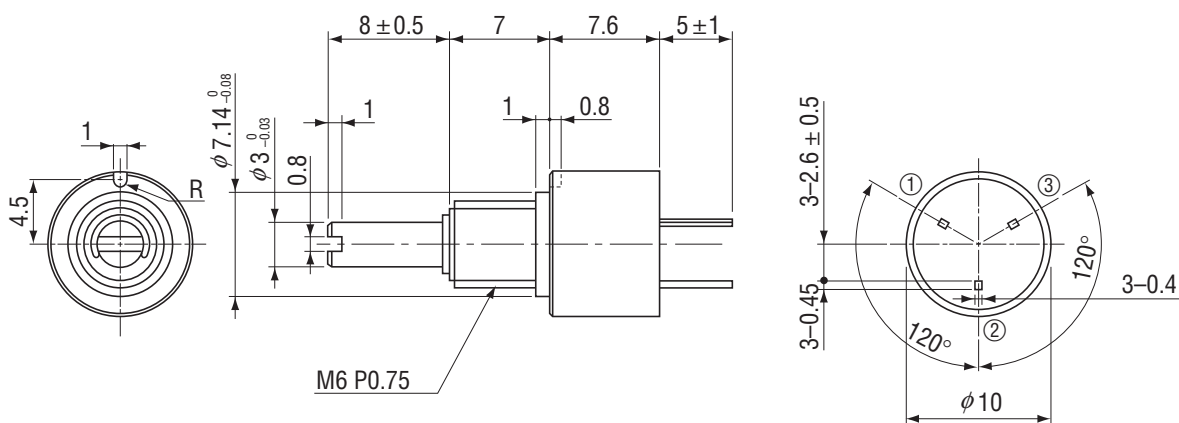
Mechanical angle		360° continuous
Rotational torque	mN·m {gf·cm} maximum	1.96 {20}
Rotational life (cycles)		5 million
Strength of tighten screw	N·cm {kgf·cm}	49 {5} maximum

Environmental characteristics

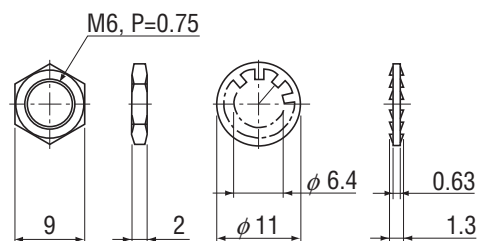
Operating temp. range	°C	-30 ~ 85
Net weight	g	Approx. 3
Protection grade		IP40

OUTLINE DIMENSIONS

(Unit : mm)



<Accessories>



<Wiring diagram>

