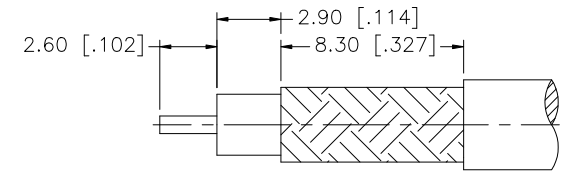
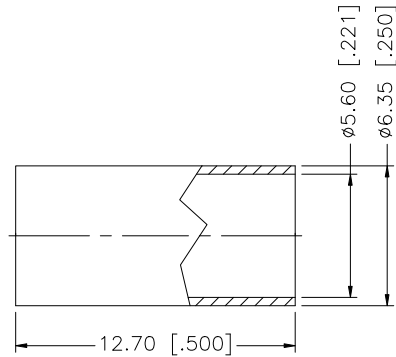
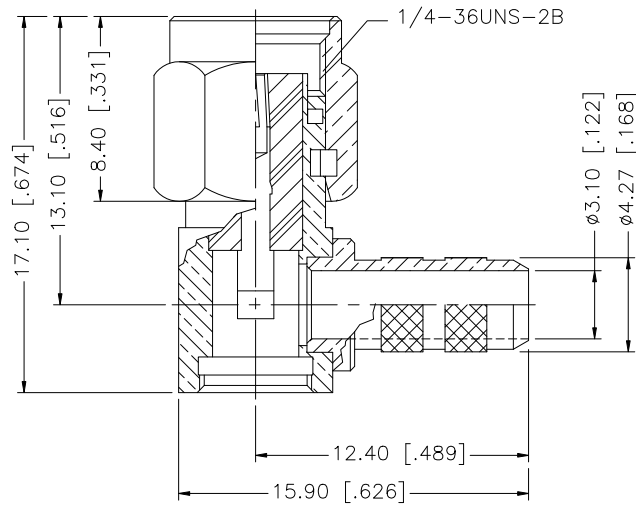
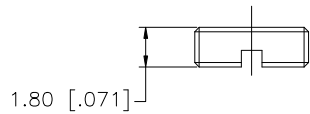


REV.	DATE	ECR NO.	DESCRIPTION
NC	01/28/99	-	INITIAL RELEASE
A	12/16/08	100064	UPDATE DRAWING FORMAT



RECOMMENDED  
CABLE STRIPPING DIM'S



NOTE:

1. CRIMPED FERRULE HEX CRIMP SIZE .213" [5.41]
2. CONTACT PIN TO SOLDER.

DESCRIPTION	MATERIAL	FINISH	QTY	DO NOT SCALE DRAWING	CAD FILE	APPROVALS	DATE	Amphenol Connex			
8 FERRULE	COPPER	GOLD	1	<small>UNLESS OTHERWISE SPECIFIED DIMENSIONS ARE IN MILLIMETERS. DIMENSIONS IN [ ] ARE IN INCHES AND FOR CUSTOMER REFERENCE ONLY.</small> <small>UNLESS OTHERWISE SPECIFIED TOLERANCES FOR MILLIMETERS ARE:  0.5 - 8mm ± 0.20mm  8 - 30mm ± 0.40mm  30 - 120mm ± 0.50mm</small> <small>UNLESS OTHERWISE SPECIFIED TOLERANCES FOR INCHES ARE:  .020 - .315 ± 0.007"  .315 - 1.180 ± 0.015"  1.180 - 4.724 ± 0.020"</small>	C:/132/132194RP.DWG	DRAWN	GRS	12/16/08	<b>SMA R/A CRIMP PLUG – REVERSE POLARITY (FOR RG223/U, 400/U CABLE)</b>		
7 COVER	BRASS	GOLD	1			CHECKED					
6 GASKET	SILICONE	RED	1			ISSUED					
5 RETAINER RING	BER. COPPER	NATURAL	1			SHEET	1 OF 1				
4 CONTACT PIN	BER. COPPER	GOLD	1						PART NO. 132194RP		
3 INSULATOR	PTFE	NATURAL	1						DWG. NO. 132194RP.DWG		
2 HOUSING	BRASS	GOLD	1						REV.	SIZE	SCALE
1 BODY/SHELL	BRASS	GOLD	1						A	A	NA