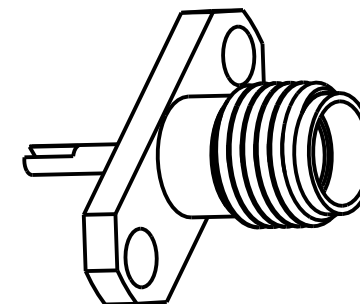
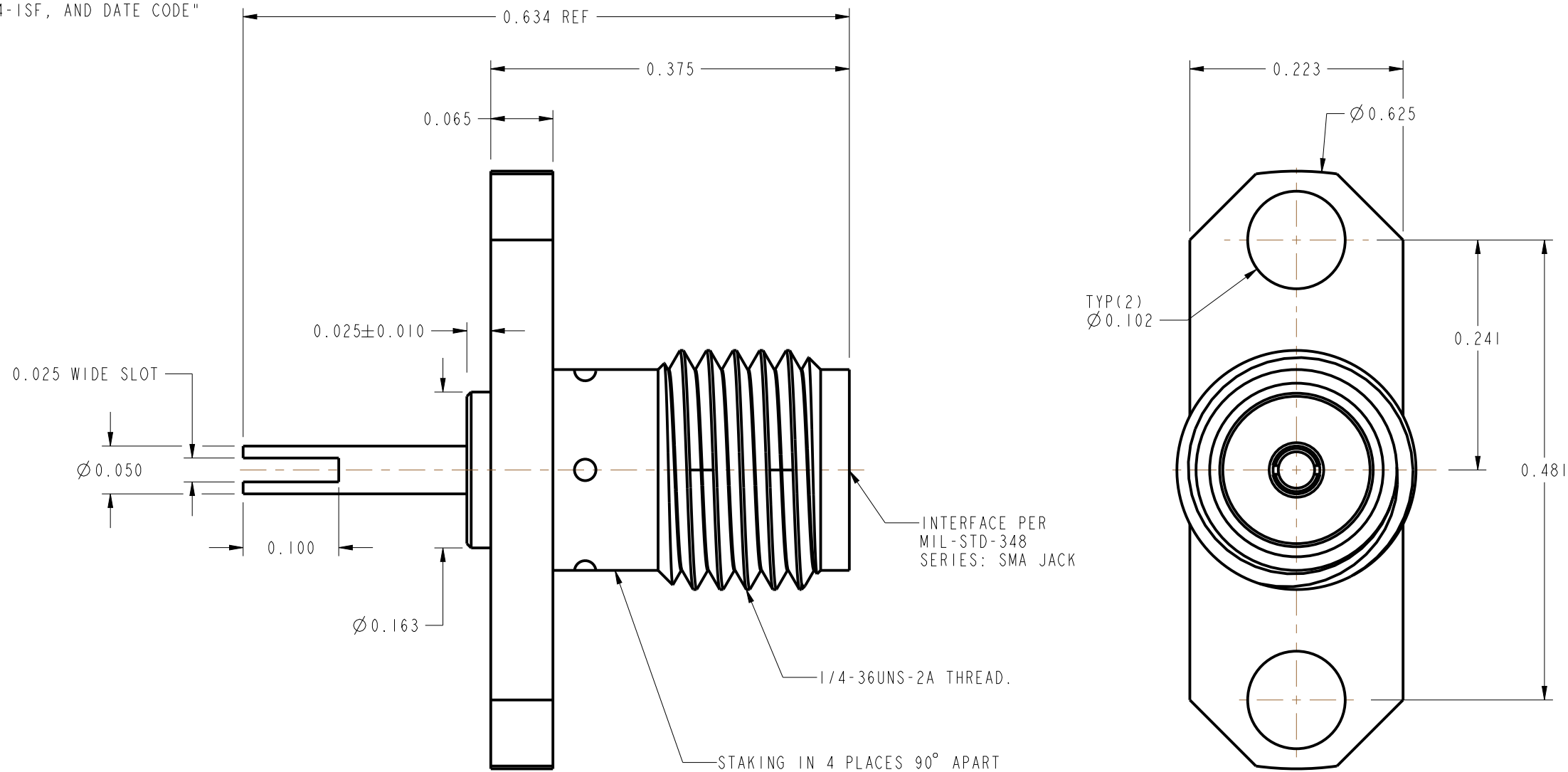


NOTES:

1. MATERIALS AND FINISHES:
 BODY - STAINLESS STEEL, PASSIVATED
 CONTACT - BERYLLIUM COPPER, GOLD PLATING
 INSULATOR - PTFE, NATURAL
2. ELECTRICAL:
 A. IMPEDANCE: 50 OHM
 B. DIELECTRIC WITHSTANDING VOLTAGE: 1000 VRMS, MIN.
3. MECHANICAL:
 A. DURABILITY: 500 CYCLES MIN.
 B. TEMPERATURE RANGE: -65° C TO +165° C
4. PACKAGING:
 A. QUANTITY: SINGLE PACK
 B. MARKING: BAG TO BE MARKED
 "AMPHENOL RF, 901-9244-1SF, AND DATE CODE"

901-9244-1SF		REVISIONS			
DRAWING NO.	REV	DESCRIPTION	DATE	ECO	APPR
THIRD ANGLE PROJ.	A	RELEASED TO MFG	11/17/76	24871	SP
	G	REFER SHEET 1	02/02/88	34841	PB
	H	REDRAWN IN PRO-E; ADDED SHEET 2	8/10/09	47526	NMV
	J	IN NOTE 4 WAS STAMP "AMPHENOL", ADDED STAKING	6/21/12	49122	CW
	K	NOTE 1 UPDATED IN SHEET 1	8/12/14	50017	MB



SCALE 3.000

CUSTOMER OUTLINE DRAWING

ALL OTHER SHEETS ARE FOR INTERNAL USE ONLY

UNLESS OTHERWISE SPECIFIED, DIMENSIONS ARE IN INCHES AND TOLERANCES ARE: 2 PLACE DECIMAL ±.015 (0,381 mm) 3 PLACE DECIMAL ±.005 (0,127 mm) ANGLES ± 1°	MATERIAL	DRAWN	DATE	TITLE	Amphenol RF Danbury, CT, USA Tainan, Taiwan Shenzhen, China www.amphenolrf.com
	SEE NOTES	NISCHIT MV	01-Apr-09		
NOTICE - These drawings, specifications, or other data (1) are, and remain the property of Amphenol Corp. (2) must be returned upon request; and (3) are confidential and not to be disclosed to any person other than those to whom they are given by Amphenol Corp. The furnishing of these drawings, specifications, or other data by Amphenol Corp., or to any other person to anyone for any purpose is not to be regarded by implication or otherwise in any manner licensing, granting rights or permitting such holder or any other person to manufacture, use or sell any product, process or design, patented or otherwise, that may in any way be related to or disclosed by said drawings, specifications, or other data.	REFERENCE	ENGINEER	DATE	TYPE SMA PANEL JACK STRIPLINE CONNECTOR	SCALE: 7.0:1 SHEET 2 OF 2
		RPA	12/20/76		
			APPROVED	DATE	
		K. CAPOZZI	08/10/09		
		CAD FILE		CODE ID	DWG SIZE
				74868	B
				DRAWING NO.	REV
				901-9244-1SF	K