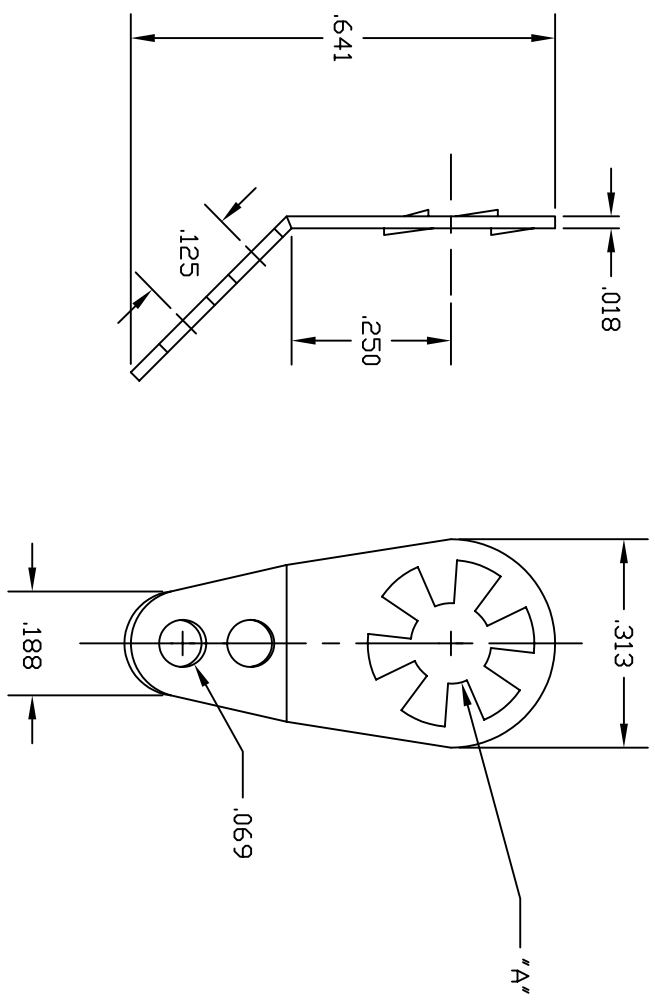


REVISIONS		REVISED BY	DATE	APPR
SYM	DESCRIPTION			



LUG TABLE			
PART NO.	QUANTITY	"A" DIM.	
1416-04	4	.120	
1416-06	6	.144	
1416-08	8	.169	

MATERIAL BRASS 260 1/2 HARD		FINISH	ELECTRO TIN
DIMENSIONAL TOLERANCES UNLESS OTHERWISE SPECIFIED		TITLE	
.XX	.XXX	1416-04, -06, -08	
---	----	SOLDER	
FRACTIONS	ANGLES	SCALE	LUG
---	---	5X	
HEAT TREAT	---	DRAWN: T. LORD	DATE: 7/17/09
PLOT SCALE: 1=1	---	CHECKED: T. LORD	DATE: 7/17/09
		APPROVED: T. LORD	DATE: 7/17/09
		SIZE	DRAWING NUMBER
		B	SD: 1413-0X
			ISSUE
			—

**ABBATRON**  
Electronic Connectors and Hardware  
13680 S. MOSIERTOWN RD  
MEADVILLE, PA 16335