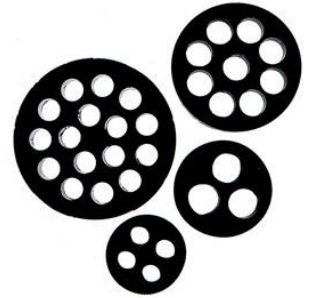


53316220	DATA SHEET	
Valid from: 22.01.2020	SKINTOP® DIX-M / DIX-M FKM	

The SKINTOP® DIX multiple seal insert with several holes makes it possible to pass several leads through a gland at the same time. Consequently components can be dimensioned smaller.
The SKINTOP® DIX FKM is resistant to oils and biological oils, solvents and chemicals.



Technical features SKINTOP® DIX-M:

Material	NBR
Sizes	M16 up to M50
Temperature range	-40 °C up to +100 °C
Colour	Black
Protection class	IP54 acc. to EN 60529 IP68 - 5 bar, acc. to EN 60529 (can be achieved if all the holes are optimally occupied)

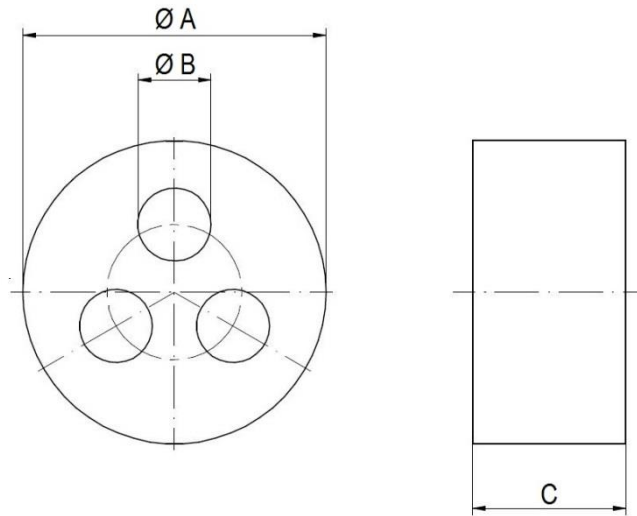
Technical features SKINTOP® DIX-M FKM:

Material	FKM
Sizes	M20, M40
Temperature range	-20 °C up to +200 °C
Colour	Black
Protection class	IP54 acc. to EN 60529 IP68 - 5 bar, acc. to EN 60529 (can be achieved if all the holes are optimally occupied)

Norm references:



Creator: M. Wegerer /PDP Released: DAMU1/PDP	Document: DB53316220EN Version: 06	Page 1 of 3
---	---------------------------------------	-------------



SKINTOP® DIX-M

Size	Ø A [mm]	Ø B [mm]	Number of holes	C [mm]	Article No.
M16	12,6	2	2	8,0	53316220
M16	12,6	2	4	8,0	53316420
M16	12,6	3	2	8,0	53316230
M16	12,6	4	2	8,0	53316240
M20	16,6	5	2	8,4	53320250
M20	16,6	6	2	8,4	53320260
M20	16,6	4	3	8,4	53320340
M20	16,6	5,3	3	8,4	53320353
M20	16,6	4	4	8,4	53320440
M20	16,6	2	9	8,4	53320920
M20	16,6	3	4	8,4	53320430
M25	20,8	6	2	9,5	53325260
M25	20,8	5	2	9,5	53325250
M25	20,8	5	3	9,5	53325350
M25	20,8	6	3	9,5	53325360
M25	20,8	7	3	9,5	53325370
M25	20,8	5	4	9,5	53325450
M25	20,8	4	5	9,5	53325540
M25	20,8	4	6	9,5	53325640

Size	Ø A [mm]	Ø B [mm]	Number of holes	C [mm]	Article No.
M32	25,6	7	2	12,0	53332270
M32	25,6	8	2	12,0	53332280
M32	25,6	9	2	12,0	53332290
M32	25,6	7	3	12,0	53332370
M32	25,6	8	3	12,0	53332380
M32	25,6	6	4	12,0	53332460
M32	25,6	7	4	12,0	53332470
M32	25,6	6	5	12,0	53332560
M32	25,6	5	6	12,0	53332650
M32	25,6	4	8	12,0	53332840
M32	25,6	5	8	12,0	53332850
M32	25,6	4	9	12,0	53332940
M40	33,8	9	2	14,5	53340290
M40	33,8	10	3	14,5	53340310
M40	33,8	8	4	14,5	53340480
M40	33,8	9	4	14,5	53340490
M40	33,8	8	5	14,5	53340580
M40	33,8	9	5	14,5	53340590
M40	33,8	7	6	14,5	53340670
M40	33,8	6	8	14,5	53340860
M40	33,8	6,9	9	14,5	53340969
M50	41,8	8	11	18,0	53350118
M50	41,8	8	6	18,0	53350680
M50	41,8	8	7	18,0	53350780
M50	41,8	7	8	18,0	53350870
M50	41,8	7	14	18,0	53350147
M50	41,8	4	16	18,0	53350164
M50	41,8	6	16	18,0	53350166

SKINTOP® DIX-M FKM

Size	Ø A [mm]	Ø B [mm]	Number of holes	C [mm]	Article No.
M20	16,6	5	2	8,4	53420250
M20	16,6	6	2	8,4	53420260
M40	33,8	6,9	9	14,5	53440969

For more information please see our current catalogue. Please do not hesitate to contact our laboratory if there are any questions regarding resistance against aggressive agents and special oil.