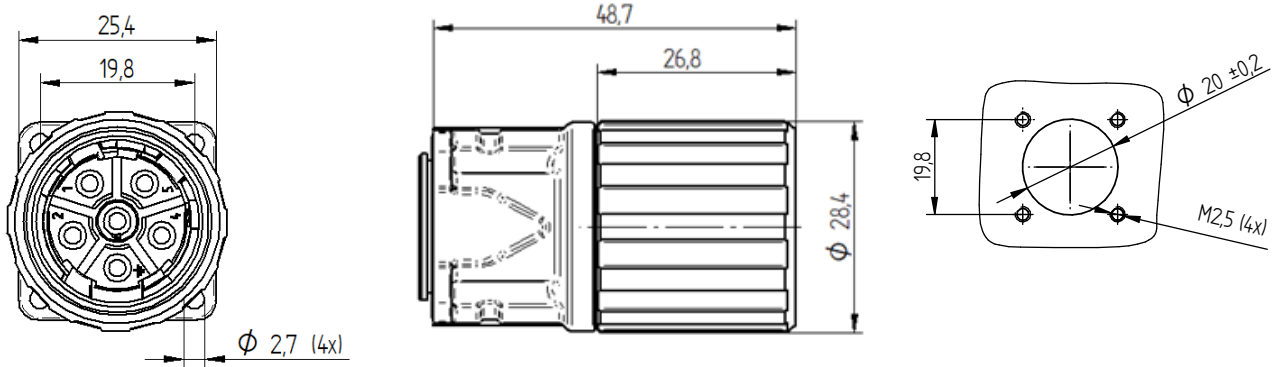


76083000	DATA SHEET	
Valid from: 18.06.2019	EPIC® POWER LS1 A6 5+PE	

Technical Drawings



Good chemical resistance



Corrosion-resistant



Industrial machinery and plant engineering



Maximum vibration protection



Mechanical resistance



Assembly time




Space requirement



Robust

Creator: STKU3/PDP Released: IVSE1/PDP	Document: DB76083000EN Version: 03	Page 2 of 3
---	---------------------------------------	-------------

76083000	DATA SHEET	
Valid from: 18.06.2019	EPIC® POWER LS1 A6 5+PE	



Waterproof



Wind Energy



Variety of approval certifications

Application range

Plant engineering

Servo drives and servo assemblies

Remark

Photographs are not to scale and do not represent detailed images of the respective products.

Creator: STKU3/PDP Released: IVSE1/PDP	Document: DB76083000EN Version: 03	Page 3 of 3
---	---------------------------------------	-------------