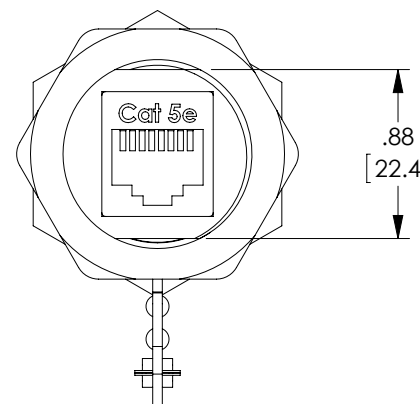
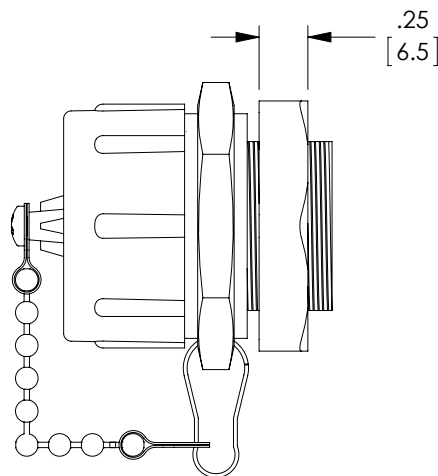
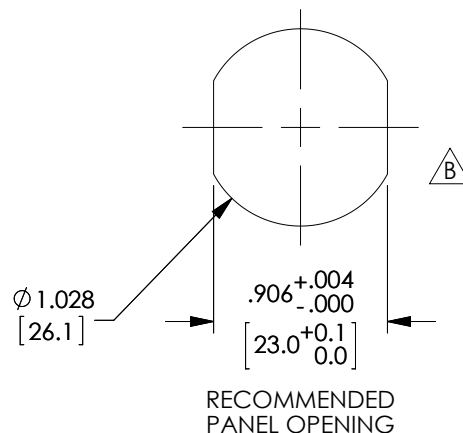
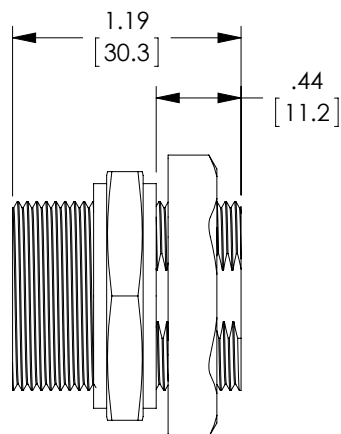


THE INFORMATION CONTAINED IN THIS DRAWING IS THE SOLE PROPERTY OF L-COM, INC. ANY REPRODUCTION IN PART OR WHOLE WITHOUT THE WRITTEN PERMISSION OF L-COM, INC. IS PROHIBITED.

REVISIONS			
REV	DESCRIPTION	DATE	APPROVED
A	INITIAL RELEASE	4/4/17	D.FRISIELLO
B	ECN 8793: ADD CUT-OUT MOUNTING HOLE DETAIL	5/31/17	R.CLARK

DUST CAP AND LANYARD NOT SHOWN



**NOTES:**

**MATERIAL:**

MAIN BODY: PBT + GF, UL94V-0  
 SHIELDED CASE: BRASS, NICKEL PLATED  
 COUPLER HOUSING: ABS, UL94V-0  
 JACK CONTACTS: PHOSPHOR BRONZE, 50μ GOLD PLATED.

**PHYSICAL CHARACTERISTICS:**

INSERTION LIFE: 750 MATING CYCLES  
 CONTACT FORCE: 100 GRAMS  
 PLUG RETENTION FORCE: 11 LBF MIN.  
 OPERATING TEMPERATURE RANGE: -10°C TO +60°C.  
 STORAGE TEMPERATURE RANGE: -40°C TO +68°C.  
 HUMIDITY: 10% ~ 90% RH  
 IP RATING: IP67-WHEN DUST CAP IS ENGAGED.

**ELECTRICAL:**

INSULATION RESISTANCE: 500 MΩ  
 DIELECTRIC WITHSTANDING VOLTAGE: 1000 V AC.  
 DC CURRENT RATING: 1.5 AMPS.  
 DC RESISTANCE: 0.1 Ω  
 CONTACT RESISTANCE: 20mΩ

**PACKAGING:**

ASSEMBLY SHALL BE INDIVIDUALLY PACKAGED IN ACCORDANCE WITH L-COM SPECIFICATION PS-0031.

**REGULATORY COMPLIANCE:**

CE2011/65/EU (RoHS DIRECTIVE)

UNLESS OTHERWISE SPECIFIED, DIMENSIONS ARE IN INCHES [mm] OVERALL CABLE LENGTH TOLERANCE: ≤12 [305] = +1 [25] / -0 >12 [305] ≤60 [1524] = +2 [51] / -0 >60 [1524] ≤120 [3048] = +4 [102] / -0 >120 [3048] ≤300 [7620] = +6 [152] / -0 >300 [7620] = +5% / -0% ALL OTHER DIMENSIONAL TOLERANCES: .X = ± .2 [5.08] .XX = ± .02 [51] .XXX = ±.005 [1.3]	APPROVALS DRAWN BY D.FRISIELLO	DATE 4/4/17	50 HIGH STREET NORTH ANDOVER, MA 01845	
	CHECKED BY B.GATES	4/4/17		CATEGORY TELECOM/MODULAR
	APPROVED BY D.GUITADAURO	4/4/17	PRODUCT DESCRIPTION C5E RJ45 SHLD CPLR IP67 BLKHD W/DST CAP	SIZE <b>A</b>
	PROJECTION 	CONFIGURATION DETAILS OF UNDIMENSIONED FEATURES MAY VARY	COLOR VARIATIONS MAY OCCUR	FSCM NO. <b>43321</b> DWG. NO. WPBHC5E REV. <b>B</b>
SCALE: NONE		CAD FILE: WPBHC5E.SLDDRW		
			SHEET 1 OF 1	