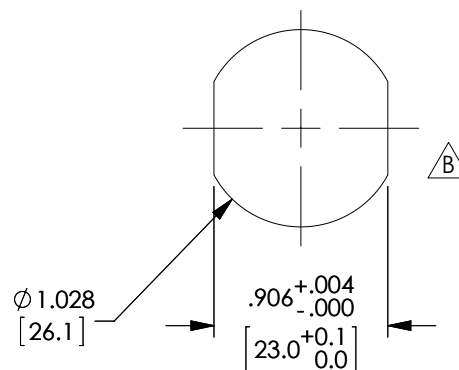
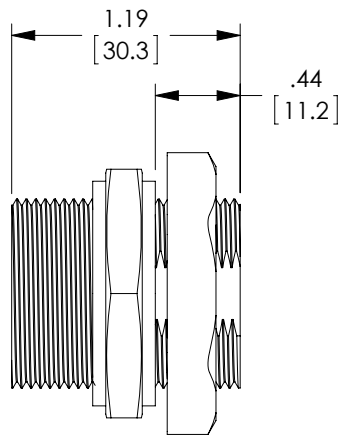


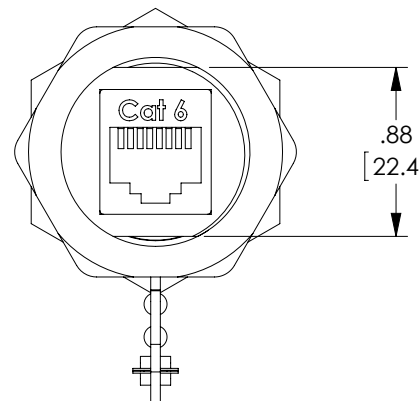
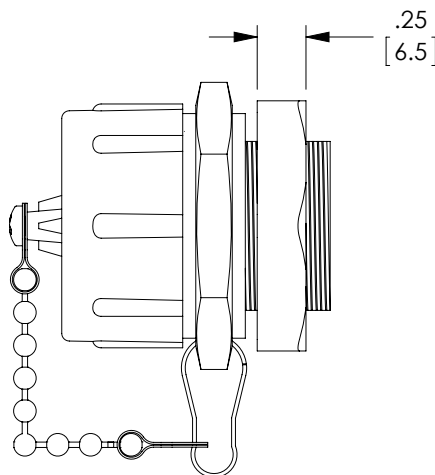
THE INFORMATION CONTAINED IN THIS DRAWING IS THE SOLE PROPERTY OF L-COM, INC. ANY REPRODUCTION IN PART OR WHOLE WITHOUT THE WRITTEN PERMISSION OF L-COM, INC. IS PROHIBITED.

REVISIONS			
REV	DESCRIPTION	DATE	APPROVED
A	INITIAL RELEASE	4/4/17	D.FRISIELLO
B	ECN 8793: ADD CUT-OUT MOUNTING HOLE DETAIL	5/31/17	R.CLARK

DUST CAP AND LANYARD NOT SHOWN



RECOMMENDED PANEL OPENING



NOTES:

MATERIAL:

MAIN BODY: PBT + GF, UL94V-0
 SHIELDED CASE: BRASS, NICKEL PLATED
 COUPLER HOUSING: ABS, UL94V-0
 JACK CONTACTS: PHOSPHOR BRONZE, 50μ GOLD PLATED.

PHYSICAL CHARACTERISTICS:

INSERTION LIFE: 750 MATING CYCLES
 CONTACT FORCE: 100 GRAMS
 PLUG RETENTION FORCE: 11LBF MIN.
 OPERATING TEMPERATURE RANGE: -10°C TO +60°C.
 STORAGE TEMPERATURE RANGE: -40°C TO +68°C.
 HUMIDITY: 10% ~ 90% RH
 IP RATING: IP67-WHEN DUST CAP IS ENGAGED.

ELECTRICAL:

INSULATION RESISTANCE: 500 MΩ
 DIELECTRIC WITHSTANDING VOLTAGE: 1000 V AC.
 DC CURRENT RATING: 1.5 AMPS.
 DC RESISTANCE: 0.1 Ω
 CONTACT RESISTANCE: 20mΩ

PACKAGING:

ASSEMBLY SHALL BE INDIVIDUALLY PACKAGED IN ACCORDANCE WITH L-COM SPECIFICATION PS-0031.

REGULATORY COMPLIANCE:

CE2011/65/EU (RoHS DIRECTIVE)

UNLESS OTHERWISE SPECIFIED, DIMENSIONS ARE IN INCHES [mm] OVERALL CABLE LENGTH TOLERANCE: ≤12 [305] = +1 [25] / -0 >12 [305] ≤60 [1524] = +2 [51] / -0 >60 [1524] ≤120 [3048] = +4 [102] / -0 >120 [3048] ≤300 [7620] = +6 [152] / -0 >300 [7620] = +5% / -0%	APPROVALS	DATE		50 HIGH STREET NORTH ANDOVER, MA 01845
	DRAWN BY D.FRISIELLO	4/4/17		CATEGORY TELECOM/MODULAR
ALL OTHER DIMENSIONAL TOLERANCES: .X = ± .2 [5.08] .XX = ± .02 [5.1] .XXX = ±.005 [1.3]	CHECKED BY B.GATES	4/4/17	PRODUCT DESCRIPTION C6 RJ45 SHLD CPLR IP67 BLKHD W/DST CAP	
PROJECTION 	APPROVED BY D.GUITADAURO	4/4/17	SIZE A	FSCM NO. 43321
	CONFIGURATION DETAILS OF UNDIMENSIONED FEATURES MAY VARY		DWG. NO. WPBHC6	REV. B
	COLOR VARIATIONS MAY OCCUR		SCALE: NONE	CAD FILE: WPBHC6.SLDRW
				SHEET 1 OF 1