

## Proximity sensors SMT/SME-8, for T-slot

**FESTO**



Festo core product range  
Covers 80% of your automation tasks

Worldwide:

Always in stock

Superb:

Festo quality at an attractive price

Easy:

Reduces procurement and storing complexity

★ Ready for dispatch from the Festo factory in 24 hours

Held in stock in 13 service centres worldwide

More than 2200 products

★ Ready for dispatch in 5 days maximum from stock

Assembled for you in 4 service centres worldwide

Up to  $6 \times 10^{12}$  variants per product series

Look for the star!

# Proximity sensors SMT/SME

Product range overview



Design	Type of mounting	Measuring principle	Type	Operating voltage range	Switching output	Switching element function	→ Page/ Internet
<b>For T-slot</b>	<b>Standard</b>						
	Insertable in the slot from above, flush with the cylinder profile	Magneto-resistive	SMT-8M-A	5 ... 30 V DC	PNP	N/O contact	7
					NPN	N/C contact	
					Non-contacting, 2-wire	N/O contact	
	Insertable in the slot from above, flush with the cylinder profile	Magnetic reed	SME-8M	5 ... 30 V AC/DC	Contacting, bipolar	N/O contact	16
						N/C contact	
	Insertable in the slot lengthwise, flush with the cylinder profile	Magnetic reed	SME-8	12 ... 30 V AC/DC	Contacting, bipolar	N/O contact	32
				3 ... 230 V AC/DC		N/C contact	36
						N/O contact	
	Insertable in the slot lengthwise	Magneto-resistive	SMT-8G	10 ... 30 V DC	PNP, NPN	N/O contact	39
		Magneto-resistive	SMT-8-SL	10 ... 30 V DC	PNP	N/O contact	28
		Magnetic reed	SME-8-SL	10 ... 30 V AC/DC	Contacting, bipolar	N/O contact	32
	Insertable in the slot from above	Magnetic reed	SME-8-FM	10 ... 30 V AC/DC	Contacting, bipolar	N/O contact	44
	Via accessories	Magneto-resistive	SMT0-8E	10 ... 30 V DC	PNP	N/O contact	57
					NPN		
		Magnetic reed	SME0-8E	12 ... 30 V DC	Contacting, bipolar	N/O contact	62
	3 ... 250 V DC						
	3 ... 230 V AC						
	<b>Corrosion-resistant</b>						
	Insertable in the slot from above, flush with the cylinder profile	Magneto-resistive	CRSMT-8M	5 ... 30 V DC	PNP	N/O contact	24
	<b>Welding field immune</b>						
	Insertable in the slot from above, secured with screw	Magneto-resistive	SDBT-BSW	10 ... 30 V DC	PNP	N/O contact	47
					NPN		
					Non-contacting, 2-wire		
	Via accessories	Magneto-inductive	SMTSO-8E	10 ... 30 V DC	PNP	N/O contact	57
	NPN						
	<b>Heat resistant up to 120 °C</b>						
Insertable in the slot lengthwise, flush with the cylinder profile	Magnetic reed	SME-8-...-S6	0 ... 30 V AC/DC	Contacting, bipolar	N/O contact	36	
Via accessories	Magnetic reed	SME0-8E-...-S6	0 ... 30 V DC	Contacting	N/O contact	62	
			0 ... 30 V AC				
<b>To EU Explosion Protection Directive (ATEX)</b>							
Insertable in the slot from above, secured with screw	Magneto-resistive	SDBT-MS-...-EX6	8.2 V DC	NAMUR	NAMUR	52	

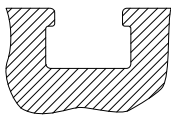
# Proximity sensors SMT/SME

Product range overview

Design	Type of mounting	Measuring principle	Type	Operating voltage range	Switching output	Switching element function	→ Page/ Internet
For C-slot	Standard						
	Insertable in the slot from above, flush with the cylinder profile	Magneto-resistive	SMT-10M	10 ... 30 V DC	PNP	N/O contact	C-slot
					NPN		
			Magnetic reed	SME-10M	5 ... 30 V AC/DC		
	Insertable in the slot lengthwise	Magneto-resistive	SMT-10G	10 ... 30 V DC	PNP	N/O contact	
Magnetic reed		SME-10	12 ... 27 V AC/DC	Contacting	N/O contact		

## T-slot sensors can be used for drives with T-slot

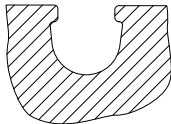
Exceptions



- DFM-B: SMT0-8E, SMTSO-8E, SME0-8E, SMP0-8E cannot be used
- DHDS: SME-8M can only be used on  $\varnothing 50$
- DHPS: SME-8M can only be used on  $\varnothing 20 \dots 35$
- HGDD-63-A: SMT-8M-A cannot be used
- HGPT-B: SMT-8G can only be used from size 40 upwards
- SDBT-BSW- ... -PU/NU can only be used on a limited number of drive series. Page → 47

## C-slot sensors can be used for drives with C-slot

Exceptions

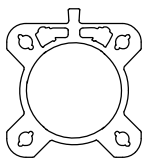


- ADVC  $\varnothing 100$ : SMT-10M and SME-10M cannot be used (ADVC has a T-slot and C-slot)
- DSM/DSM-B-6/8/10: SME-10M cannot be used
- DSM/DSM-B-10/16: SMT-10M cannot be used
- HGPT-B: SMT-10G can only be used up to size 35

## For drives with sensor rail: these are available with 2 cylinder barrel contours

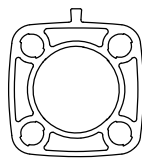
Only T-slot sensors CRSMT-8M, SMT-8M-A and SDBT-MS- ... -EX6 can be used, and only with the identified profile. CRSMT-8M and SMT-8M-A can be used for all diameters; SDBT-MS- ... -EX6 cannot be used for diameters 40 and 50.

Example: DSBF



Suitable

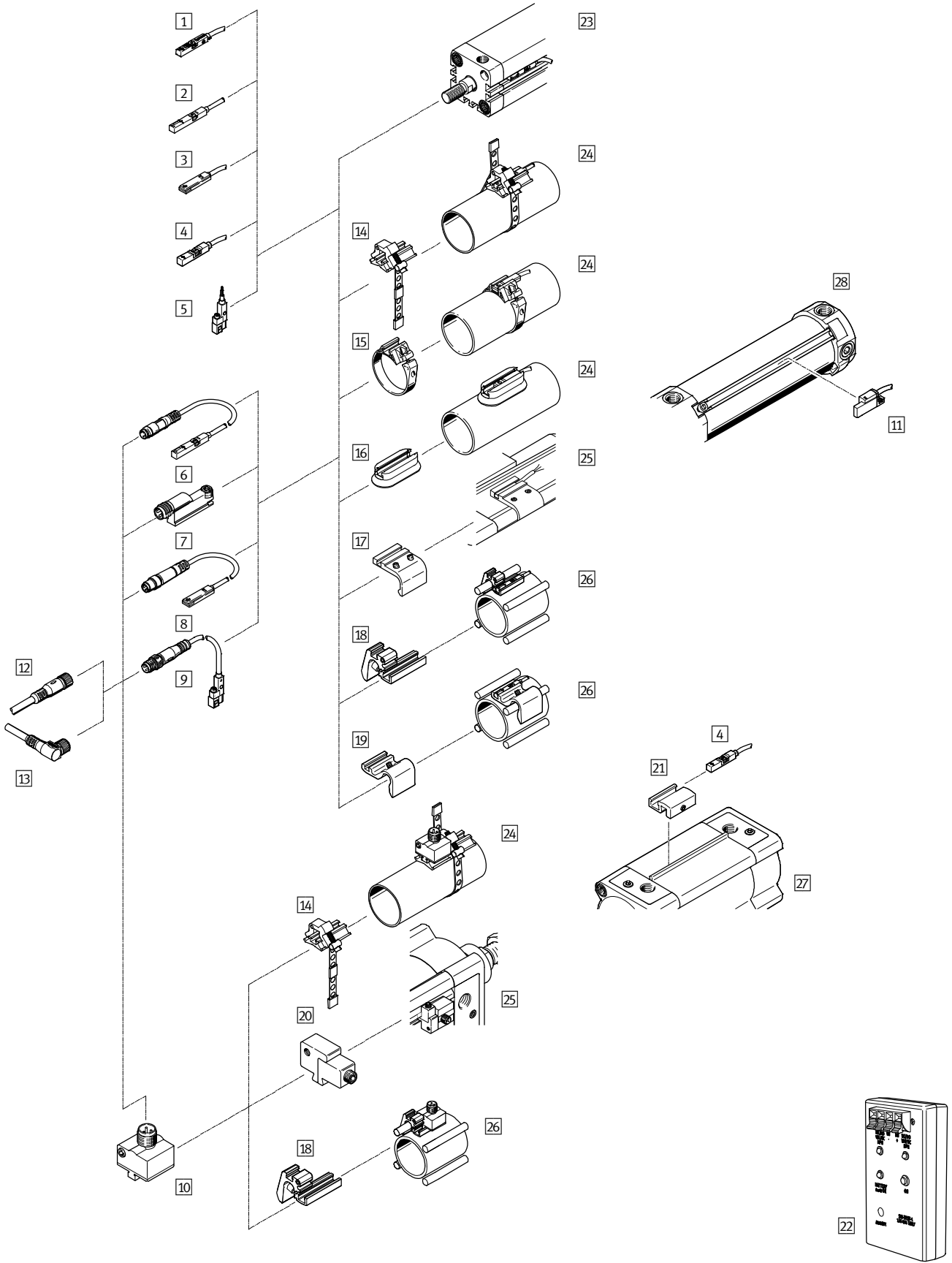
Example: CDC



Not suitable

# Proximity sensors SMT/SME-8, for T-slot

Peripherals overview



# Proximity sensors SMT/SME-8, for T-slot

Peripherals overview

Mounting components and accessories		→ Page/ Internet
Proximity sensor		
1	SMT-8M-A-..., with cable	7
2	SME-8M-...-OE, with cable	16
	SDBT-MS-...-EX6, with explosion protection	52
3	SME-8-FM-...-K-..., with cable	44
4	CRSMT-8M-..., with cable	24
5	SMT-8G-...-OE, with cable	40
6	SME-8M-...-M..., with cable and plug connector	16
7	SMT-8-SL-..., with plug connector	28
	SME-8-SL-..., with plug connector	32
8	SME-8-S-..., with cable and plug connector	32
9	SMT-8G-...-M..., with cable and plug connector	40
10	SMT0/SMTSO, with plug connector	57
	SME0-8E, with cable or plug connector	62
11	SDBT-BSW, welding field immune	47
Connecting cables		
12	NEBU-M...G...	70
13	NEBU-M...W...	70

Mounting components and accessories		→ Page/ Internet
Mounting kits and accessories		
14	Mounting kit SMBR-8-8/100-S6, heat-resistant	66
15	Mounting kit SMBR	66
16	Mounting kit CRSMB, corrosion-resistant	67
17	Mounting kit SMB-8-FENG	67
18	Mounting SMBZ-8-...	69
19	Sensor bracket DASP-M4-...	68
20	Mounting kit SMB-8E	67
21	Mounting kit SMB-8-C	68
22	Sensor tester SM-TEST-1	70
-	Position marker SMM-8	69
-	Clip SMBK-8	70
-	Inscription label ASLR	70
-	Safety clip NEAU	70
Drives		
23	Drives with T-slot	-
24	Round cylinders	-
25	Standard cylinders DSBC	-
26	Drives with tie or mounting rod	-
27	Standard cylinders DSBF	-
28	Hinge cylinders DFAW	-

# Proximity sensors SMT-8M-A, for T-slot

Type codes

## SMT-8M-A

SMT-8M – A – PO – 24V – E – 0,5 – N – OE –

### Function

SMT-8M	Proximity sensor, magneto-resistive, for T-slot, insertable in the slot from above
--------	--

### Series

A	Short design
---	--------------

### Switching output

PS	PNP, N/O contact, 3-wire
PO	PNP, N/C contact, 3-wire
NS	NPN, N/O contact, 3-wire
ZS	N/O contact, 2-wire
PNS	PNP, NPN switchable
PSO	PNP, N/C contact, N/O contact switchable

### Rated operating voltage

24V	24 V DC
-----	---------

### Cable characteristics

E	Energy chain + robot
---	----------------------

### Cable length [m]

### Cable designation

–	With inscription label holder
N	Without inscription label holder

### Electrical connection

OE	Open end
M8	Cable with plug M8x1, snap-on flange
M8D	Cable with plug M8x1, rotatable thread
M12	Cable with plug M12x1, rotatable thread

### EU certification

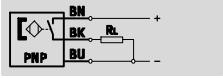
Ex2	II 3GD in accordance with EU Directive 2014/34/EU
-----	---

# Proximity sensors SMT-8M-A, for T-slot

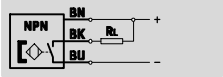
Technical data – Magneto-resistive

**Function**

e.g. PNP, N/O contact, with cable



e.g. NPN, N/O contact, with cable



- Magneto-resistive measuring principle
- Insertable in the slot from above, does not protrude over the cylinder profile
- Cable clip and inscription label holder included in the scope of delivery
- Variant EX2 for use in potentially explosive areas in zones 2 and 22



General technical data	
Design	For T-slot
Assembly position	Any
Based on standard	EN 60947-5-2
Approval certificate	c UL us - Listed (OL) RCM trademark
CE marking (see declaration of conformity)	To EU EMC Directive
Note on materials	Cable halogen-free, oil-resistant RoHS-compliant, free of copper and PTFE

Input signal/measuring element	
Measured variable	Position
Measuring principle	Magneto-resistive
Ambient temperature	[°C] -40 ... +85

Switching output						
Type	PS	NS	PO	ZS	PNS	PSO
Switching output	PNP	NPN	PNP	Non-contacting, 2-wire	PNP, NPN switchable	PNP
Switching element function	N/O contact	N/O contact	N/C contact	N/O contact	N/O contact	N/C contact, N/O contact switchable
Repetition accuracy	[mm] ±0.1					
Switch-on time	[ms] ≤ 1.3			≤ 1.0		
Switch-off time	[ms] ≤ 1.4			≤ 1.0		
Max. output current	[mA] 100 <sup>1)</sup>	100 <sup>1)</sup>	100 <sup>1)</sup>	80 <sup>1)</sup>	100	100
Max. output current in mounting kits	[mA] 100			80 <sup>1)</sup>	100	
Max. switching capacity DC	[W] 2.8	2.8	2.8	1.9	2.7	2.7
Max. switching capacity DC in mounting kits	[W] 2.8 <sup>2)</sup>	2.8 <sup>2)</sup>	2.8 <sup>2)</sup>	1.5 <sup>2)</sup>	2.7	2.7
Max. switching frequency	[Hz] 180					
Voltage drop <sup>1)</sup>	[V] < 1.5			< 6		< 2.5

1) Variant ...-PS/NS/PO-...-Ex2: max. output current in mounting kits 80 mA, T<sub>a</sub> 70 °C  
 Variant ...-ZS-...-Ex2: max. output current in mounting kits 50 mA, T<sub>a</sub> 70 °C  
 2) Variant ...-PS/NS/PO-...-Ex2: max. switching capacity 2.2 W  
 Variant ...-ZS-...-Ex2: max. switching capacity 1.2 W

Output, additional data	
Protection against short circuit	Pulsed
Overload protection	Yes

# Proximity sensors SMT-8M-A, for T-slot

Technical data – Magneto-resistive

Electronic components				
Type		PS, NS, PO, ZS	PNS, PSO	Ex2
Operating voltage range	[V DC]	5 ... 30	7 ... 30	5 ... 30
Rated operating voltage	[V DC]	24		
Reverse polarity protection		For all electrical connections		

Electromechanical components					
Electrical connection		M8	M8D	M12	OE
Electrical connection		Cable with plug, 3-pin			Cable, 3-wire
		M8x1		M12x1	Cable, 2-wire
		–	Rotatable thread		
Connection direction		In-line			
Cable test conditions		Energy chain: 5 million cycles, bending radius 28 mm			
		Torsional strength: > 300,000 cycles, ±270°/0.1 m			
		Resistance to bending: according to Festo standard; test conditions on request			
Cable length	[m]	0.1 ... 30			
Cable characteristics		Energy chain + robot			
Cable sheath materials		TPE-U(PUR)			
Cable sheath colour		Grey			

Mechanical components				
Electrical connection		M8, M8D, M12		OE
Type of mounting		Screw-clamped, insertable in the slot from above		
Max. tightening torque	[Nm]	0.6		
Housing		Black		
		PA reinforced		
		High-alloy stainless steel		
		Nickel-plated brass		–



# Proximity sensors SMT-8M-A, for T-slot

Technical data – Magneto-resistive

Display/operation			
	PS, NS, PO, ZS	PNS	PSO
Switching status indication	Yellow LED	Yellow LED (for PNP)/white LED (for NPN)	Yellow LED (for N/O contact)/white LED (for N/C contact)
Operating reserve indication	Orange LED	–	

Immissions/emissions	
Ambient temperature with flexible cable installation [°C]	–20 ... +85
Degree of protection	IP65, IP68, IP69K

ATEX	
SMT-8M-A-...-	Ex2
ATEX category for gas	II 3G
Explosion ignition protection type for gas	Ex nA IIC T4 X Gc
ATEX category for dust	II 3D
Explosion ignition protection type for dust	Ex tc IIIC T120 °C X Dc
Explosion-proof temperature	–40 °C ≤ Ta ≤ +70 °C
Explosion protection	Zone 2 (ATEX)
	Zone 22 (ATEX)
CE marking (see declaration of conformity)	To EU Explosion Protection Directive (ATEX)

Pin allocation to EN 60947-5-2			
M8x1, 2-pin		M12x1, 2-pin	
N/O contact		N/O contact	
	Pin	Wire colour	Allocation
	1	Brown	+
	4	Black	–
	1	Brown	+
	4	Black	–

Pin allocation to EN 60947-5-2			
M8x1, 3-pin		M12x1, 3-pin	
N/O contact and N/C contact		N/O contact	
	Pin	Wire colour	Allocation
	1	Brown	+
	3	Blue	–
	4	Black	Output
	1	Brown	+
	3	Blue	–
	4	Black	Output

Pin allocation to EN 60947-5-2			
M12x1, 3-pin			
N/C contact			
	Pin	Wire colour	Allocation
	1	Brown	+
	3	Blue	–
	2	White	Output

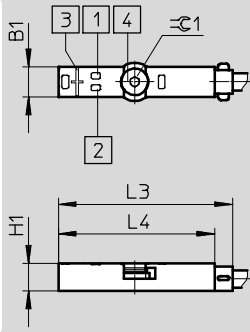
# Proximity sensors SMT-8M-A, for T-slot

Technical data – Magneto-resistive

## Dimensions

Download CAD data → [www.festo.com](http://www.festo.com)

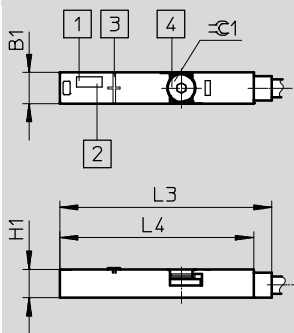
SMT-8M-A-24V-E-... (PS, NS, PO, ZS)



Yellow LED for safe switching status.  
Yellow and orange LED for unsafe switching status.

- 1 Yellow LED
- 2 Orange LED
- 3 Position of sensor element centre
- 4 Tightening torque of clamping component 0.6 Nm

SMT-8M-A-24V-E-... (PNS, PSO)



Switching status indication for PNS:  
Yellow LED for PS switching output.  
White LED for NS switching output.

- 1 Yellow LED
- 2 White LED
- 3 Position of sensor element centre
- 4 Slot for screwdriver

Switching status indication for PSO:  
Yellow LED for PS switching output.  
White LED for PO switching output.

Type	B1	H1	L3	L4	⌀1
SMT-8M-A-...-24V-E- (PS, NS, PO, ZS)	5	4.6	29.3	26.3	1.5
SMT-8M-A-...-24V-E- (PNS, PSO)			34.8	31.8	

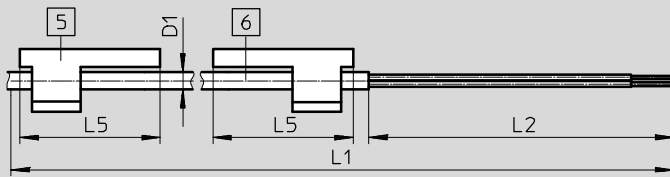
# Proximity sensors SMT-8M-A, for T-slot

Technical data – Magneto-resistive

## Dimensions

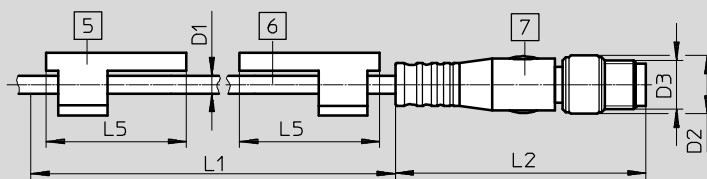
Download CAD data → [www.festo.com](http://www.festo.com)

SMT-8M-A-...-OE/OE-Ex – Cable



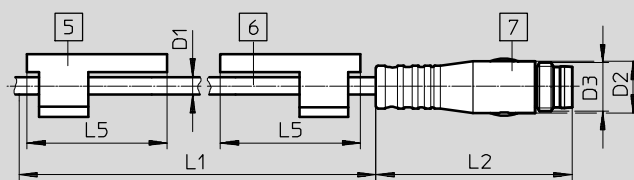
- 5 Inscription label holder drawn turned by 90°
  - 6 Connecting cable
- L1 Cable length

SMT-8M-A-...-M8D – Cable with plug M8x1, rotatable thread



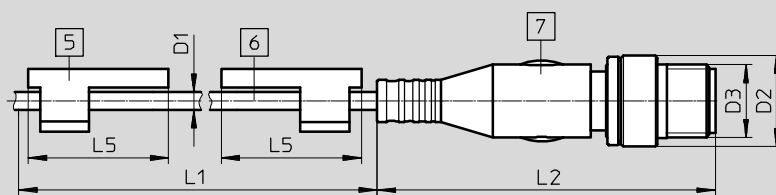
- 5 Inscription label holder drawn turned by 90°
  - 6 Connecting cable
  - 7 Plug suitable for connecting cable NEBU-M8
- L1 Cable length

SMT-8M-A-...-M8 – Cable with plug M8x1, snap-on flange



- 5 Inscription label holder drawn turned by 90°
  - 6 Connecting cable
  - 7 Plug suitable for connecting cable NEBU-M8
- L1 Cable length

SMT-8M-A-...-M12 – Cable with plug M12x1, rotatable thread



- 5 Inscription label holder drawn turned by 90°
  - 6 Connecting cable
  - 7 Plug suitable for connecting cable NEBU-M12
- L1 Cable length

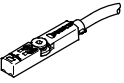
Type	D1	D2 Ø	D3	L2	L5	±0.1
SMT-8M-A-...-OE	2.9	-	-	50	23	1.5
SMT-8M-A-...-OE-Ex		-	-	50		
SMT-8M-A-...-M8D		9.6	M8x1	41.1		
SMT-8M-A-...-M8		8.5	M8x1	32.7		
SMT-8M-A-...-M12		15	M12x1	54.5		

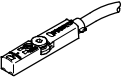
# Proximity sensors SMT-8M-A, for T-slot

Technical data – Magneto-resistive

FESTO

## ★ Core product range

Ordering data								
	Switching output	Electrical connection			Cable length [m]	Weight [g]	Part No.	Type
		Cable	Cable with plug, rotatable thread					
			M8x1	M12x1				
	N/O contact							
	PNP	–	3-pin	–	0.3	8.9	★ 574334	SMT-8M-A-PS-24V-E-0,3-M8D
	PNP	3-wire	–	–	2.5	29.1	★ 574335	SMT-8M-A-PS-24V-E-2,5-OE
	PNP	3-wire	–	–	5	57.1	★ 574336	SMT-8M-A-PS-24V-E-5,0-OE
	PNP	–	–	3-pin	0.3	15.9	★ 574337	SMT-8M-A-PS-24V-E-0,3-M12
	NPN	3-wire	–	–	2.5	29.1	★ 574338	SMT-8M-A-NS-24V-E-2,5-OE
		–	–	3-pin	–	0.3	8.9	★ 574339
	Non-contacting	2-wire	–	–	5	57.1	★ 574341	SMT-8M-A-ZS-24V-E-5,0-OE-Ex2
	N/C contact							
	PNP	3-wire	–	–	7.5	85.1	★ 574340	SMT-8M-A-PO-24V-E-7,5-OE

Ordering data								
	Switching output	Electrical connection			Cable length [m]	Weight [g]	Part No.	Type
		Cable	Cable with plug, rotatable thread					
			M8x1	M12x1				
	N/O contact							
	PNP	–	3-pin	–	0.3	8.9	574342	SMT-8M-A-PS-24V-E-0,3-M8D-Ex2
	Switchable							
	PNP/NPN	–	3-pin	–	0.3	9	574343	SMT-8M-A-PNS-24V-E-0,3-M8D
	PNP PS/PO	–	3-pin	–	0.3	9	574344	SMT-8M-A-PSO-24V-E-0,3-M8D

Festo core product range

★ Ready for dispatch from the Festo factory in 24 hours

☆ Ready for dispatch in 5 days maximum from stock

# Proximity sensors SMT-8M-A, for T-slot

Ordering data – Modular products

Ordering table				
Size	8	Condi- tions	Code	Entry code
<b>M</b> Module No.	<b>574333</b>			
Function	Proximity sensor for T-slot, electronic		<b>SMT-8M</b>	SMT-8M
			-	-
Series	Short design		<b>A</b>	A
			-	-
Switching output	3-wire PNP N/O contact		<b>PS</b>	
	3-wire NPN N/O contact		<b>NS</b>	
	3-wire PNP N/C contact		<b>PO</b>	
	2-wire N/O contact		<b>ZS</b>	
	PNP/NPN switchable		<b>PNS</b>	
	PNP N/C contact, N/O contact switchable		<b>PSO</b>	
			-	-
Rated operating voltage [V DC]	24		<b>24V</b>	24V
			-	-
Cable characteristics	Energy chain + robot		<b>E</b>	E
			-	-
Cable length [m]	0.1 ... 30 (0.1 ... 5.0 in 0.1 increments, 5.0 ... 30 in 0.5 increments)		...	
			-	-
<b>O</b> Cable designation	With inscription label holder			
	Without inscription label holder		<b>N</b>	
			-	-
<b>M</b> Connection technology	Open end		<b>OE</b>	
	M8, rotatable thread		<b>M8D</b>	
	M8, snap-on flange		<b>M8</b>	
	M12, rotatable thread		<b>M12</b>	
<b>O</b> EU certification	II 3GD in accordance with EU Directive 2014/34/EU	<b>1</b>	<b>-Ex2</b>	

**1 Ex2** Not with switching output PNS, PSO, minimum cable length 0.2 m

**Transfer order code**

574333 SMT-8M - A - [ ] - 24V - E - [ ] - N - [ ] - [ ]

# Proximity sensors SME-8M, for T-slot

Type codes

## SME-8M

SME – 8M – DO – 24V – K – 7,5 – OE

### Function

SME	Proximity sensor, magneto-resistive
-----	-------------------------------------

### Design

8M	For T-slot, insertable in the slot from above
----	---

### Switching output, switching element function

ZS	N/O contact, 2-wire
DS	N/O contact, 3-wire
DO	N/C contact, 3-wire

### Rated operating voltage

24V	24 V DC
-----	---------

### Cable characteristics

K	Standard + energy chain
E	Energy chain + robot

### Cable length [m]

...	0.2 ... 10
-----	------------

### Electrical connection

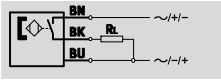
OE	Open end
M8	Cable with plug M8x1, snap-on flange
M8D	Cable with plug M8x1, rotatable thread
M12	Cable with plug M12x1, rotatable thread

# Proximity sensors SME-8M, for T-slot

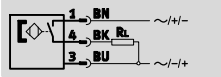
Technical data – Magnetic reed

**Function**

e.g. N/O contact, 3-wire, with cable



e.g. N/O contact, 3-wire, with plug



- Magnetic reed measuring principle
- Insertable in the slot from above, does not protrude over the cylinder profile
- Cable clip and inscription label holder included in the scope of delivery



General technical data	
Design	For T-slot
Based on standard	EN 60947-5-2
Approval certificate	c UL us - listed (OL)
	RCM trademark
CE marking (see declaration of conformity)	To EU EMC Directive
Special characteristics	Oil resistant
Note on materials	Free of copper and PTFE
	RoHS-compliant

Input signal/measuring element	
Measuring principle	Magnetic reed
Ambient temperature	[°C] -40 ... +70

Switching output			
Type	SME-8M-DS	SME-8M-ZS	SME-8M-DO
Switching output	Contacting, bipolar		
Switching element function	N/O contact	N/O contact	N/C contact
Max. output current [mA]	500	80	
Max. output current in mounting kits [mA]	80	80	
Max. switching capacity DC [W]	10	2.4	
Max. switching capacity DC in mounting kits [W]	2.4	2.4	
Max. switching capacity AC [VA]	10	2.4	
Max. switching capacity AC in mounting kits [VA]	2.4	2.4	
Voltage drop <sup>1)</sup> [V]	≤1.5	≤4.8	≤3.5

1) Applies to cable length 2.5m. Max. 0.15V voltage drop per metre of additional cable length

Output, additional data	
Protection against short circuit	No
Overload protection	No

Electronic components	
Operating voltage range DC [V]	5 ... 30
Operating voltage range AC [V]	5 ... 30
Reverse polarity protection	No

# Proximity sensors SME-8M, for T-slot

Technical data – Magnetic reed

Electromechanical components								
Switching element function	DS/DO				ZS			
Electrical connection	OE	M8D	M8	M12	OE	M8D	M8	M12
Electrical connection	Cable, 3-wire	Cable with plug, 3-pin			Cable, 2-wire	Cable with plug, 2-pin		
		M8x1	M8x1	M12x1		M8x1	M8x1	M12x1
		Rotatable thread	Snap-on flange	Rotatable thread		Rotatable thread	Snap-on flange	Rotatable thread
Connection direction	In-line							
Cable test conditions	K	Energy chain: 5 million cycles, bending radius 75 mm						
		Resistance to bending: to Festo standard; test conditions on request						
	E	Energy chain: 5 million cycles, bending radius 28 mm						
		Torsional strength: $\pm 270^\circ/0.1$ m						
Resistance to bending: to Festo standard; test conditions on request								
Cable length	[m]	0.2 ... 10						
Cable characteristics	K	Standard + energy chain						
	E	Energy chain + robot						
Cable sheath materials	K	TPE-U(PUR)						
	E	TPE-U(PUR), halogen-free						

Mechanical components		
Electrical connection	OE	M...
Type of mounting	Screw-clamped, insertable in the slot from above	
Housing	PA	PA
	High-alloy stainless steel	High-alloy stainless steel
	–	Nickel-plated brass
	–	TPE-U(PUR)

Display/operation	
Switching status indication	Yellow LED

Immissions/emissions	
Ambient temperature with flexible cable installation	[°C] –5 ... +70
Degree of protection	IP65, IP68



# Proximity sensors SME-8M, for T-slot

Technical data – Magnetic reed

Pin allocation to EN 60947-5-2			
M8x1, 2-pin		M12x1, 2-pin	
N/O contact		N/O contact	
	Pin	Wire colour	Allocation
	1	Brown	+
	4	Black	Output

Pin allocation to EN 60947-5-2			
M8x1, 3-pin		M12x1, 3-pin	
N/O contact and N/C contact		N/O contact	
	Pin	Wire colour	Allocation
	1	Brown	+
	3	Blue	-
	4	Black	Output

Pin allocation to EN 60947-5-2			
M12x1, 3-pin			
N/C contact			
	Pin	Wire colour	Allocation
	1	Brown	+
	3	Blue	-
	2	White	Output

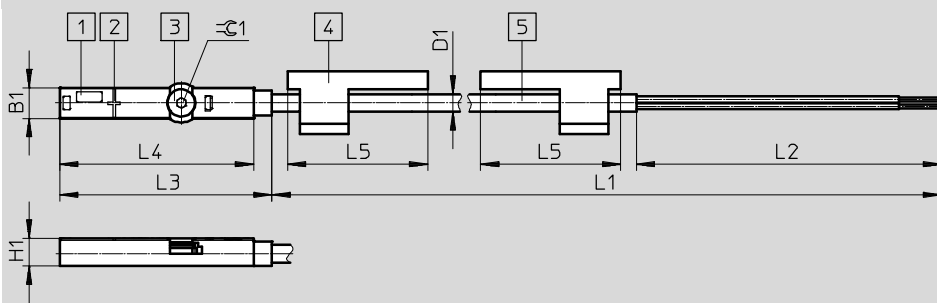
# Proximity sensors SME-8M, for T-slot

Technical data – Magnetic reed

Download CAD data → [www.festo.com](http://www.festo.com)

## Dimensions

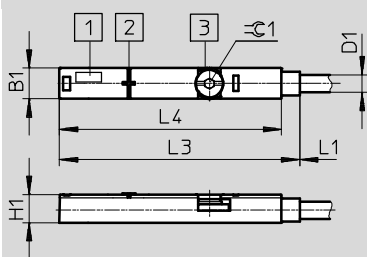
SME-8M-...-OE – Cable



- 1 Yellow LED
- 2 Centre of the sensor element
- 3 Clamping component, tightening torque 0.6 Nm
- 4 Inscription label holder
- 5 Connecting cable

L1 Cable length

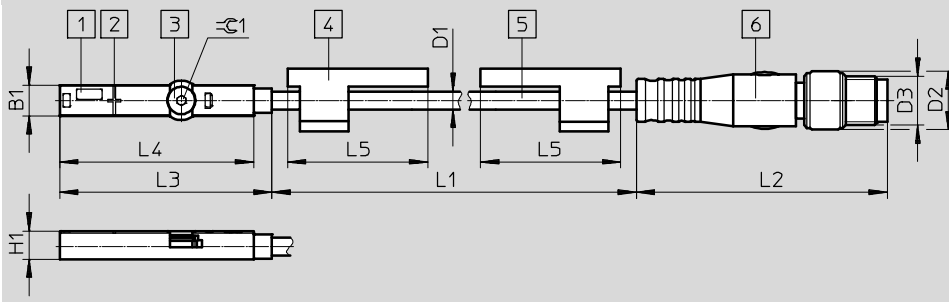
SME-8M-DO-...-OE – Cable



- 1 Light-emitting diode (LED)
- 2 Centre of the sensor element
- 3 Clamping component, tightening torque 0.6 Nm

L1 Cable length

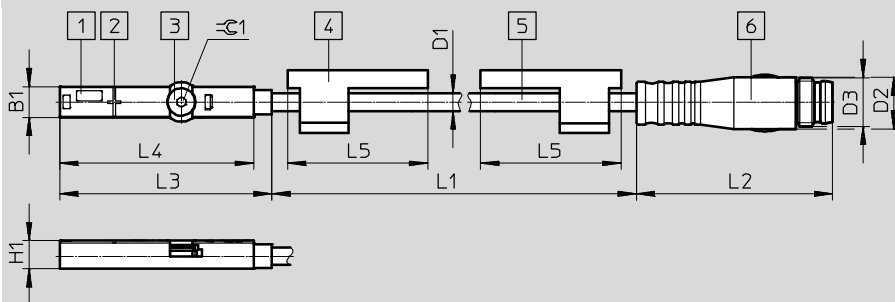
SME-8M-...-M8D – Cable with plug M8x1, rotatable thread



- 1 Yellow LED
- 2 Centre of the sensor element
- 3 Clamping component, tightening torque 0.6 Nm
- 4 Inscription label holder
- 5 Connecting cable
- 6 Plug to fit connecting cable NEBU-M8

L1 Cable length

SME-8M-...-M8 – Cable with plug M8x1, snap-on flange



- 1 Yellow LED
- 2 Centre of the sensor element
- 3 Clamping component, tightening torque 0.6 Nm
- 4 Inscription label holder
- 5 Connecting cable
- 6 Plug to fit connecting cable NEBU-M8

L1 Cable length

Type	B1 ±0.05	D1 ∅	D2 ∅	D3	H1 ±0.05	L2	L3	L4 ±0.1	L5	≈ 1
SME-8M-...-OE	5	2.9	-	-	4.6	50	34.8	31.8	23	1.5
SME-8M-DO-...-OE			-	-		-	39.5	36.5	-	
SME-8M-...-M8D			9.6	M8x1		41	34.8	31.8	23	
SME-8M-...-M8			8.5	M8x1		33	34.8	31.8	23	

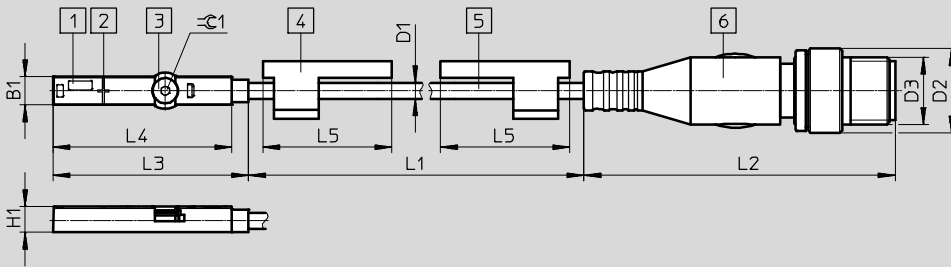
# Proximity sensors SME-8M, for T-slot

Technical data – Magnetic reed

## Dimensions

Download CAD data → [www.festo.com](http://www.festo.com)

SME-8M-...-M12 – Cable with plug M12x1, rotatable thread



- 1 Yellow LED
- 2 Centre of the sensor element
- 3 Clamping component, tightening torque 0.6 Nm
- 4 Inscription label holder
- 5 Connecting cable
- 6 Plug to fit connecting cable NEBU-M12

L1 Cable length

Type	B1	D1 Ø	D2	D3	H1	L2	L3	L4	L5	⌀ 1
SME-8M-...-M12	5	2.9	15	M12x1	4.6	54.5	34.8	31.8	23	1.5

## ★ Core product range

### Ordering data

	Switching output	Electrical connection		Cable length [m]	Part No.	Type
		Cable	Cable with plug, rotatable thread, M8x1			
	N/O contact					
	Contacting, bipolar	3-wire	–	2.5	★ 543862	SME-8M-DS-24V-K-2,5-OE
			–	3-pin	5.0	★ 543863
		2-wire	–	0.3	★ 543861	SME-8M-DS-24V-K-0,3-M8D
	–	–	–	2.5	★ 543872	SME-8M-ZS-24V-K-2,5-OE
N/C contact						
–	Contacting, bipolar	3-wire	–	7.5	★ 546799	SME-8M-DO-24V-K-7,5-OE

### Ordering data

	Switching output	Electrical connection		Cable length [m]	Part No.	Type
		Cable	Cable with plug, rotatable thread, M8x1			
	N/O contact					
	Contacting, bipolar	3-wire	–	7.5	543876	SME-8M-DS-24V-K-7,5-OE

Festo core product range

★ Generally ready for shipping ex works in 24 hours

☆ Generally ready for shipping ex works in 5 days

# Proximity sensors SME-8M, for T-slot

Modular products – Magnetic reed



**M Mandatory data**

Module No.	Function	Switching output	Rated operating voltage	Cable characteristics	Cable length	Connection technology
543892	SME-8M	DS ZS DO	24V	K E	0.2 ... 10	OE M8D M8 M12
<b>Ordering example</b>						
543892	SME-8M	- ZS	- 24V	- K	- 0.8	- OE

**Ordering table**

Size	8	Condi- tions	Code	Entry code
<b>M</b> Module No.	543892			
Function	Proximity sensor for T-slot, contacting		<b>SME-8M</b>	SME-8M
Switching output	3-wire N/O contact		DS	
	2-wire N/O contact		ZS	
	3-wire N/C contact		DO	
Rated operating voltage [V DC]	24		–	–
			24V	24V
Cable characteristics	Standard + energy chain		K	
	Energy chain + robot		E	
Cable length [m]	0.2 ... 10 (0.2 ... 5.0 m in 0.1 m increments, 5.0 ... 10 m in 0.5 m increments)		–	–
			...	
Connection technology	Open end		OE	
	M8, rotatable thread		M8D	
	M8, snap-on flange		M8	
	M12, rotatable thread		M12	

**Transfer order code**

543892	SME-8M	-		-	24 V	-		-		-	
--------	--------	---	--	---	------	---	--	---	--	---	--

# Proximity sensors CRSMT-8M, SMT-8-SL/SME-8, for T-slot

Type codes

## CRSMT-8M

CRSMT		-	8M	-	PS	-	24	-	K	-		-	
<b>Function</b>													
CRSMT	Proximity sensor, magneto-resistive, suitable for the food industry, resistant to acids and cooling lubricants												
<b>Design</b>													
8M	For T-slot, insertable in the slot from above												
<b>Switching output, switching element function</b>													
PS	PNP, N/O contact, 3-wire												
<b>Rated operating voltage</b>													
24	24 V DC												
<b>Cable attribute</b>													
K	Standard and chain link trunking												
<b>Cable length</b>													
0,3	Cable, 0.3m <sup>1)</sup>												
K5	Cable, 5 m, open end <sup>2)</sup>												
K10	Cable, 10 m, open end <sup>2)</sup>												
<b>Connection</b>													
OE	Open end												
M8D	M8, rotatable thread												
M12	M12												

1) Only with M8D or M12 connection  
 2) Only with OE connection

# Proximity sensors CRSMT-8M, SMT-8-SL/SME-8, for T-slot

Type codes

## SMT/SME-8

SMT – 8 – PS – K – LED – 24 – B

### Function

SMT	Proximity sensor, magneto-resistive
SME	Proximity sensor, magnetic reed

### Design

8	For T-slot, insertable in the slot lengthwise
---	---

### Switching output, switching element function

PS	PNP, N/O contact, 3-wire
NS	NPN, N/O contact, 3-wire
ZS	N/O contact, 2-wire
0	N/C contact, 3-wire

### Electrical connection, cable length

K	Cable, 2.5 m or 7.5 m
K2,5	Cable, 2.5 m
K5	Cable, 5.0 m
K-7,5	Cable, 7.5 m
KL	Cable, 2.5 m
S	Plug M8x1 with cable, 0.3 m

### Switching status indication

LED	Yellow LED
-----	------------

### Rated operating voltage

24	24 V DC
230	230 V AC

### Variant

K6	Heat resistant
----	----------------

### Generation

B	B series
---	----------

## SMT/SME-8-SL

SMT – 8 – SL – PS – LED – 24

### Function

SMT	Proximity sensor, magneto-resistive
SME	Proximity sensor, magnetic reed

### Design

8	For T-slot, insertable in the slot lengthwise
---	---

### Electrical connection

SL	Plug
----	------

### Switching output, switching element function

PS	PNP, N/O contact, 3-wire
----	--------------------------

### Switching status indication

LED	Yellow LED
-----	------------

### Rated operating voltage

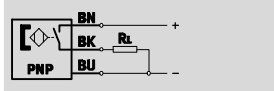
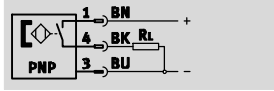
24	24 V DC
----	---------

# Proximity sensors CRSMT-8M, for T-slot

Technical data – Magneto-resistive

**Function**

e.g. PNP, N/O contact, with plug



- Suitable for foodstuffs
- Acid resistant
- Alkali resistant
- Resistant to cooling lubricants



General technical data	
Design	For T-slot
Based on standard	EN 60947-5-2
Approval certificate	RCM trademark
Special characteristics	Acid resistant, alkali resistant, resistant to cooling lubricants
Suitable for use in the food industry <sup>1)</sup>	As per manufacturer's declaration
Note on materials	RoHS-compliant, halogen-free

1) Additional information [www.festo.com/sp](http://www.festo.com/sp) → Certificates.

Input signal/measuring element	
Measuring principle	Magneto-resistive
Measured variable	Position
Ambient temperature	[°C] -40 ... 85

Switching output	
Switching element function	N/O contact
Switching output	PNP
Switching output repetition accuracy	[mm] ± 0.1
Switch-on time	[ms] ≤ 1
Switch-off time	[ms] ≤ .1
Max. switching frequency	[Hz] 180
Max. output current	[mA] 100
Max. switching capacity DC	[W] 2.8
Voltage drop	[V] < 1.5
Residual current	[mA] < 0.05

Output, additional data	
Protection against short circuit	Pulsed
Overload protection	Yes

Electronic components	
Switching output	PNP
Rated operating voltage	[V DC] 24
Operating voltage range	[V DC] 5 ... 30
Reverse polarity protection	For all electrical connections

# Proximity sensors CRSMT-8M, for T-slot

Technical data – Magneto-resistive

Electromechanical components	
Connection direction	In-line
Cable characteristics	Standard + energy chain
Cable test conditions	Energy chain: 5 million cycles, bending radius 75 mm
	Torsional strength: > 300,000 cycles, ±270°/0.1 m
	Bending strength: according to Festo standard

Mechanical components			
Electrical connection	Cable, 3-wire	Cable with plug, rotatable thread	
		M8D	M12
Type of mounting	Screw-clamped		
	Insertable in the slot from above		
Assembly position	Any		
Max. tightening torque [Nm]	0.6		
	–	0.3	0.5
Information on materials			
Housing	High-alloy stainless steel, PP		
Union nut	–	Nickel-plated brass	
Cable sheath	TPE-O		
Insulating sheath	PP		
Plug housing	–	PP	
Wire ends	Wire end sleeves		–
Pin contacts	–	Nickel-plated and gold-plated brass	

Display/operation	
Switching status indication	Yellow LED
Operating reserve indication	Orange LED

Immissions/emissions	
Ambient temperature with flexible cable installation [°C]	–20 ... 85
Degree of protection	IP65
	IP68
	IP69K

ATEX	
ATEX category for gas	II 3G
Explosion ignition protection type for gas	Ex nA IIC T4 X Gc
ATEX category for dust	II 3D
Explosion ignition protection type for dust	Ex tc IIIC T120°C X Dc
Explosion-proof temperature [°C]	–40°C ≤ Ta ≤ +85°C
CE marking (see declaration of conformity)	To EU EMC Directive
	To EU Explosion Protection Directive (ATEX)



# Proximity sensors CRSMT-8M, for T-slot

Technical data – Magneto-resistive

Pin allocation to EN 60947-5-2				M12x1, 3-pin			
M8x1, 3-pin				M12x1, 3-pin			
N/O contact				N/O contact			
	Pin	Wire colour	Allocation		Pin	Wire colour	Allocation
	1	Brown	+		1	Brown	+
	3	Blue	-		3	Blue	-
	4	Black	Output		4	Black	Output

**Dimensions, open end** Download CAD data → [www.festo.com](http://www.festo.com)

- 1 Yellow LED
- 2 Orange LED
- 3 Centre of the sensor element
- 4 Slot for screwdriver
- 5 Connecting cable

L1 Cable length

Type	B1	D1	H1	L2	L3	L4	≈ 1
CRSMT-8M-PS-24V-K-5,0-OE	5	2.9	5	50	29.3	26.3	1.5
CRSMT-8M-PS-24V-K-10,0-OE							

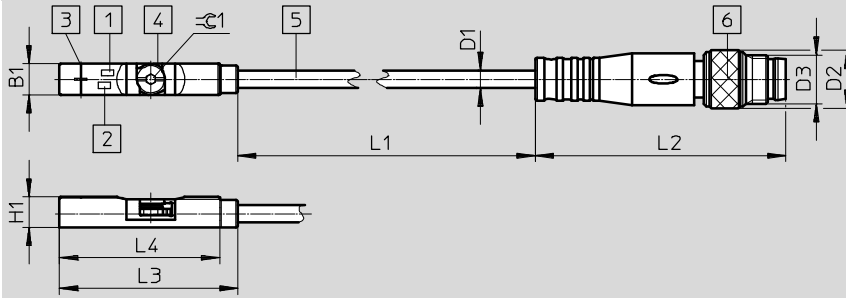
# Proximity sensors CRSMT-8M, for T-slot

Technical data – Magneto-resistive



## Dimensions with plug

Download CAD data → [www.festo.com](http://www.festo.com)



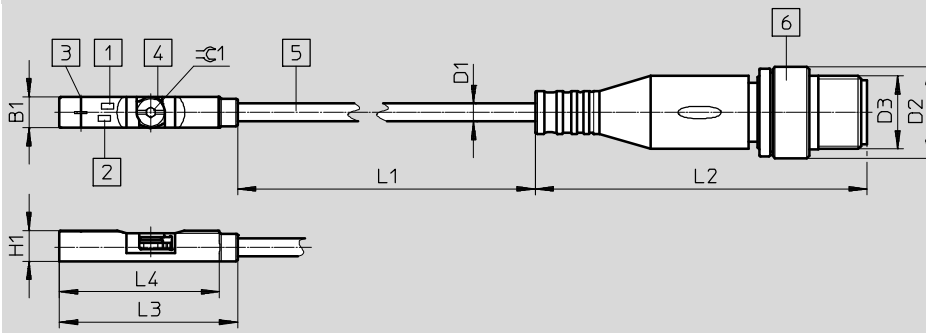
- 1 Yellow LED
- 2 Orange LED
- 3 Centre of the sensor element
- 4 Slot for screwdriver
- 5 Connecting cable
- 6 Plug module M8D

L1 Cable length

Type	B1	D1 ∅	D2	D3	H1	L2	L3	L4	±C 1
CRSMT-8M-PS-24V-K-0,3-M8D	5	2.9	9.5	M8x1	5	41.1	29.3	26.3	1.5

## Dimensions with plug

Download CAD data → [www.festo.com](http://www.festo.com)



- 1 Yellow LED
- 2 Orange LED
- 3 Centre of the sensor element
- 4 Slot for screwdriver
- 5 Connecting cable
- 6 Plug module M12, 3-pin

L1 Cable length

Type	B1	D1 ∅	D2 ∅	D3	H1	L2	L3	L4	±C 1
CRSMT-8M-PS-24V-K-0,3-M12	5	2.9	15	M12x1	5	54.5	29.3	26.3	1.5

## Ordering data

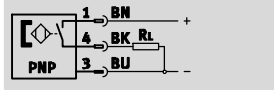
	Switching output	Electrical connection		Cable length [m]	Weight [g]	Part No.	Type
		Cable	Cable with plug, rotatable thread				
N/O contact, corrosion resistant							
	PNP	3-wire	–	5	47.6	574380	CRSMT-8M-PS-24V-K-5,0-OE
	PNP	3-wire	–	10	93.4	574381	CRSMT-8M-PS-24V-K-10,0-OE
	PNP	3-pin	M12x1	0.3	9.1	574382	CRSMT-8M-PS-24V-K-0,3-M12
	PNP	3-pin	M8x1	0.3	16.1	574383	CRSMT-8M-PS-24V-K-0,3-M8D

# Proximity sensors SMT-8-SL, for T-slot

Technical data – Magneto-resistive

**Function**

e.g. PNP, N/O contact, with plug



- Magneto-resistive measuring principle
- Insertable in the slot lengthwise

**SMT-8-SL**

- Sturdy thanks to long guides
- Plug directly on sensor



General technical data	
Type	SMT-8-SL
Switching output	PNP
Design	For T-slot
Conforms to standard	–
Based on standard	EN 60947-5-2
Certification	RCM trademark c UL us - listed (OL)
CE marking (see declaration of conformity)	To EU EMC Directive
Note on materials	Free of copper and PTFE RoHS-compliant

Input signal/measuring element	
Type	SMT-8-SL
Measuring principle	Magneto-resistive
Ambient temperature [°C]	–20 ... +70

Switching output	
Type	SMT-8-SL
Switching output	PNP
Switching output	PNP
Switching element function	N/O contact
Reproducibility of switching value [mm]	–
Switch-on time [ms]	≤ 1
Switch-off time [ms]	3 ... 5
Max. switching frequency [Hz]	140
Max. output current [mA]	100
Max. switching capacity DC [W]	3
Voltage drop [V]	≤ 2
Residual current [µA]	≤ 1.5

Output, additional data	
Type	SMT-8-SL
Switching output	PNP
Protection against short circuit	Yes
Overload protection	Yes

# Proximity sensors SMT-8-SL, for T-slot

Technical data – Magneto-resistive

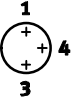
Electronic components		
Type		SMT-8-SL
Switching output		PNP
Rated operating voltage	[V DC]	24
Operating voltage range	[V DC]	10 ... 30
Reverse polarity protection		For all electrical connections

Electromechanical components		
Type		SMT-8-SL
Switching output		PNP
Electrical connection		Plug M8x1, 3-pin
Connection direction		In-line
Cable length	[m]	-
Cable sheath materials		-

Mechanical components		
Type		SMT-8-SL
Switching output		PNP
Electrical connection		Plug M8x1, 3-pin
Type of mounting		Screw-clamped Insertable in the slot lengthwise
Housing material information		PA -

Display/operation	
Switching status indication	Yellow LED

Immissions/emissions		
Type		SMT-8-SL
Ambient temperature with flexible cable installation	[°C]	-
Degree of protection		IP65 IP68 -
Insulation voltage	[V]	-
Degree of contamination		-

Pin allocation to EN 60947-5-2			
PS/NS			
Plug, 3-pin			
M8x1	Pin	Wire colour	Allocation
	1	Brown	+
	3	Blue	-
	4	Black	Output

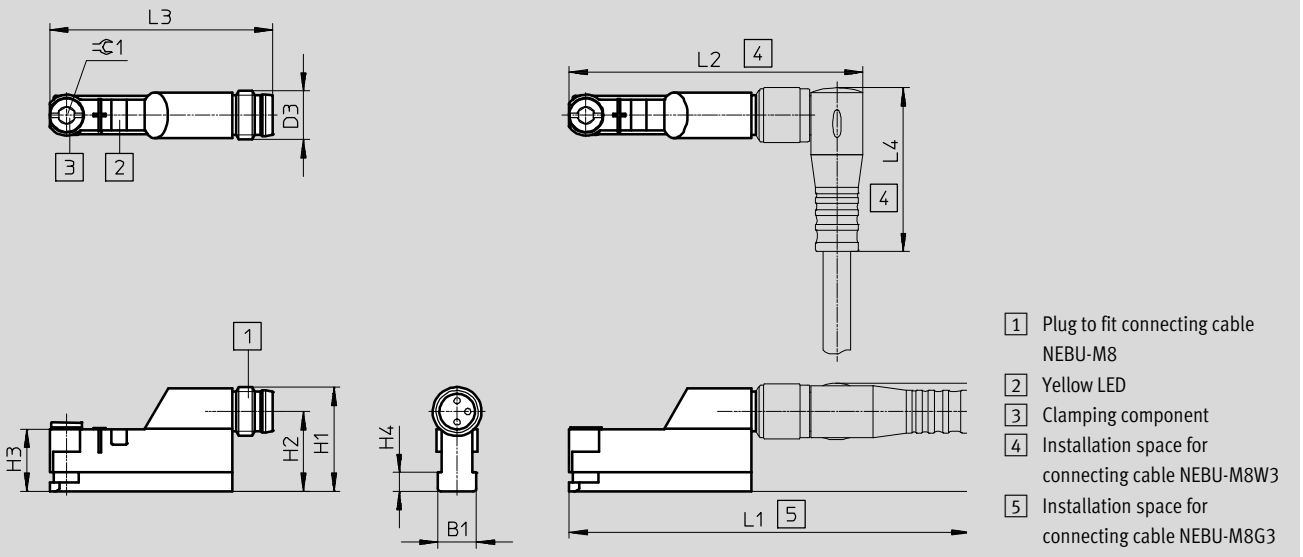
# Proximity sensors SMT-8-SL, for T-slot

Technical data – Magneto-resistive

## Dimensions

Download CAD data → [www.festo.com](http://www.festo.com)

SMT-8-SL




Type	B1	B2	D1	D3	H1	H2	H3	H4	H5	L1	L2	L3	L4
SMT-8-SL	6.7	-	-	M8x1	17.1	13.1	10.2	3.1	17.6	66	48.4	36.6	25

# Proximity sensors SMT-8-SL, for T-slot



Technical data – Magneto-resistive

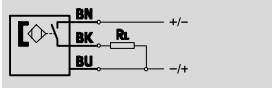
Ordering data							
	Switching output	Electrical connection			Cable length [m]	Part No.	Type
		Cable	Cable with plug M8x1	Plug M8x1			
N/O contact, basic version							
	PNP	–	–	3-pin	–	<b>562019</b>	<b>SMT-8-SL-PS-LED-24-B</b>

# Proximity sensors SME-8, for T-slot

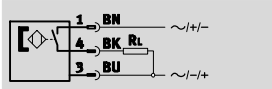
Technical data – Magnetic reed

**Function**

e.g. N/O contact, with cable, 3-wire



e.g. N/O contact, with plug, 3-pin



- Magnetic reed measuring principle
- Insertable in the slot lengthwise

**SME-8-SL**

- Sturdy thanks to long guides
- Plug directly on sensor



General technical data					
Type	SME-8-K	SME-8-S	SME-8-ZS	SME-8-O	SME-8-SL
Design	For T-slot				
Conforms to standard	EN 60947-5-2				
Certification	RCM trademark				
CE marking (see declaration of conformity)	To EU EMC Directive <sup>1)</sup>				
Note on materials	Free of copper and PTFE				
	RoHS-compliant	–		RoHS-compliant	

1) For information about the applicability of the component see the manufacturer's EC declaration of conformity at: [www.festo.com/sp](http://www.festo.com/sp) → User documentation.  
If the component is subject to restrictions on usage in residential, office or commercial environments or small businesses, further measures to reduce the emitted interference may be necessary.

Input signal/measuring element							
Type	SME-8-K	SME-8-K5	SME-8-K-7,5	SME-8-S	SME-8-ZS	SME-8-O	SME-8-SL
Measuring principle	Magnetic reed						
Ambient temperature [°C]	-40 ... +60	-40 ... +70	-40 ... +70	-40 ... +70	-40 ... +60	-40 ... +60	-40 ... +60

Switching output					
Type	SME-8-K	SME-8-S	SME-8-ZS	SME-8-O	SME-8-SL
Switching output	Contacting, bipolar				
Switching element function	N/O contact	N/O contact	N/O contact	N/C contact	N/O contact
Reproducibility of switching value [mm]	±0.1	±0.1	±0.1	±0.1	±0.1
Switch-on time [ms]	≤ 0.5	≤ 0.5	≤ 0.5	≤ 2	≤ 0.6
Switch-off time [ms]	≤ 0.03	≤ 0.03	≤ 0.03	≤ 0.2	≤ 0.05
Max. switching frequency [Hz]	800	–	800	–	500
Max. output current [mA]	500	500	80	50	500
Max. switching capacity AC [VA]	10	10	–	1.5	10
Max. switching capacity DC [W]	10	10	2.16	1.5	10
Voltage drop [V]	0	–	≤ 3.5	≤ 2.5	0

Output, additional data	
Protection against short circuit	No
Overload protection	No

Electronic components					
Type	SME-8-K	SME-8-S	SME-8-ZS	SME-8-O	SME-8-SL
Operating voltage range [V AC]	12 ... 30	12 ... 30	–	12 ... 30	10 ... 30
Operating voltage range [V DC]	12 ... 30	12 ... 30	12 ... 27	12 ... 30	10 ... 30
Reverse polarity protection	No				

# Proximity sensors SME-8, for T-slot

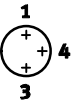
Technical data – Magnetic reed

Electromechanical components							
Type	SME-8-K	SME-8-K5	SME-8-K-7,5	SME-8-S	SME-8-ZS	SME-8-O	SME-8-SL
Electrical connection	Cable, 3-wire			Cable with plug M8x1, 3-pin	Cable, 2-wire	Cable, 3-wire	Plug M8x1, 3-pin
Connection direction	In-line						
Cable length [m]	2.5	5	7.5	0.3	2.5	7.5	–
Cable sheath materials	TPE-U (PUR)						–

Mechanical components							
Type	SME-8-K	SME-8-K5	SME-8-K-7,5	SME-8-S	SME-8-ZS	SME-8-O	SME-8-SL
Type of mounting	Clamped in T-slot Insertable in the slot lengthwise						
Housing material information	Epoxy resin PC PET High-alloy stainless steel						

Display/operation	
Switching status indication	Yellow LED

Immissions/emissions							
Type	SME-8-K	SME-8-K5	SME-8-K-7,5	SME-8-S	SME-8-ZS	SME-8-O	SME-8-SL
Ambient temperature with flexible cable installation [°C]	–5 ... +60	–5 ... +70	–5 ... +70	–5 ... +70	–5 ... +60	–5 ... +60	–
Degree of protection	IP65			–	IP65	–	IP65
	IP67			IP67	IP67	IP67	IP67
Insulation voltage [V]	50						
Surge resistance [kV]	3	3	3	3	3	3	3
Degree of contamination	3						

Pin allocation to EN 60947-5-2			
S			
Plug, 3-pin			
M8x1	Pin	Wire colour	Allocation
	1	Brown	+
	3	Blue	–
	4	Black	Output

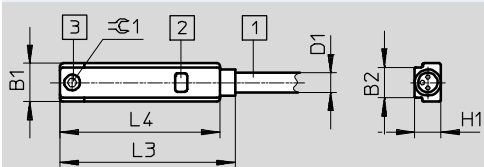


# Proximity sensors SME-8, for T-slot

Technical data – Magnetic reed

**Dimensions** Download CAD data → [www.festo.com](http://www.festo.com)

N/O contact, cable

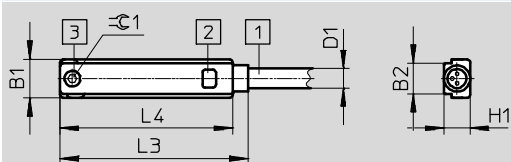


- 1 Connecting cable, 3 wire cable, 3 x 0.14 mm<sup>2</sup>
- 2 Yellow LED
- 3 Max. tightening torque 0.2 Nm

Type	B1	B2	D1	H1	L3	L4	⌀ 1
SME-8-K-...	6.4	5	2.9	4.3	28.8	26.3	1.3

**Dimensions** Download CAD data → [www.festo.com](http://www.festo.com)

N/C contact, cable

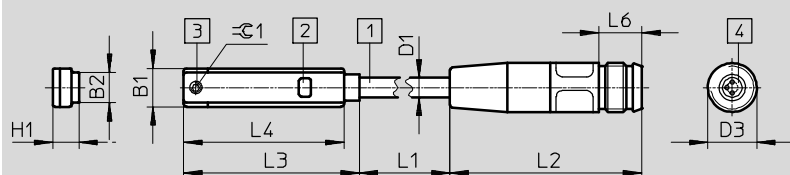


- 1 Connecting cable, 3 wire cable, 3 x 0.14 mm<sup>2</sup>
- 2 Yellow LED
- 3 Max. tightening torque 0.2 Nm

Type	B1	B2	D1	H1	L3	L4	⌀ 1
SME-8-O-K-LED-24	6.4	5	2.9	4.4	30.8	28.3	1.3

**Dimensions** Download CAD data → [www.festo.com](http://www.festo.com)

Plug M8x1



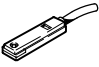

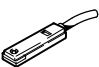
- 1 Connecting cable
- 2 Yellow LED
- 3 Clamping component
- 4 Plug to fit connecting cable NEBU-M8

L1 Cable length

Type	B1	B2	D1	D3	H1	L2	L3	L4	L6	⌀ 1
SME-8-S-LED-24	6.3	5	2.9	M8	4.7	31 +5	28.8	26.3	6 min.	1.3

# Proximity sensors SME-8, for T-slot

Technical data – Magnetic reed

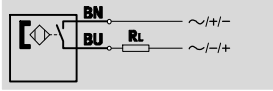
Ordering data							
	Switching output	Electrical connection			Cable length [m]	Part No.	Type
		Cable	Cable with plug M8x1	Plug M8x1			
N/O contact, basic version							
	Contacting, bipolar	3-wire	-	-	2.5	150855	SME-8-K-LED-24
					5.0	175404	SME-8-K5-LED-24
					7.5	530491	SME-8-K-7,5-LED-24
		-	3-pin	-	0.3	150857	SME-8-S-LED-24
		2-wire	-	-	2.5	171169	SME-8-ZS-KL-LED-24
	Contacting, bipolar	-	-	3-pin	-	526622	SME-8-SL-LED-24
N/C contact							
	Contacting, bipolar	3-wire	-	-	7.5	160251	SME-8-O-K-LED-24

# Proximity sensors SME-8, for T-slot

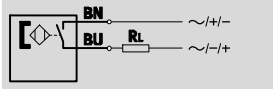
Technical data – Magnetic reed

**Function**

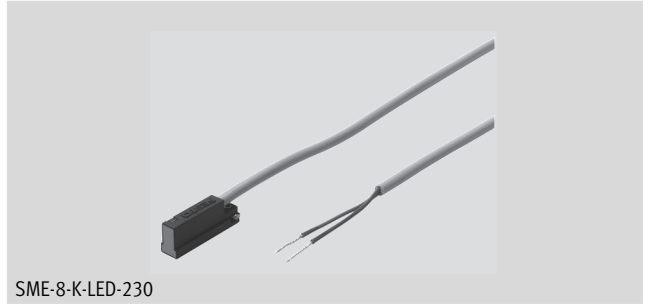
e.g. N/O contact, with cable, 2-wire,  
0 ... 30 V AC/DC



e.g. N/O contact, with cable, 2-wire,  
3 ... 230 V AC/DC



- Magnetic reed measuring principle
- Insertable in the slot lengthwise
- Heat resistant design
- Variants with operating voltage range up to 230 V DC/AC



SME-8-K-LED-230

General technical data		SME-8-...-S6	SME-8-...-230
Design		For T-slot	
Conforms to standard		EN 60947-5-2	
Certification		–	RCM trademark
		–	CCC
CE marking (see declaration of conformity)		–	To EU EMC Directive <sup>1)</sup>
		–	To EU Low Voltage Directive
Note on materials		Free of copper and PTFE	
		RoHS-compliant	

1) For information about the applicability of the component see the manufacturer's EC declaration of conformity at: [www.festo.com/sp](http://www.festo.com/sp) → User documentation.  
If the component is subject to restrictions on usage in residential, office or commercial environments or small businesses, further measures to reduce the emitted interference may be necessary.

Input signal/measuring element		SME-8-...-S6	SME-8-...-230
Measuring principle		Magnetic reed	
Ambient temperature	[°C]	–40 ... +120	–30 ... +60

Switching output		SME-8-...-S6	SME-8-...-230
Switching output		Contacting, bipolar	Contacting, bipolar
Switching element function		N/O contact	
Reproducibility of switching value	[mm]	±0.1	±0.1
Switch-on time	[ms]	≤ 0.5	2
Switch-off time	[ms]	≤ 0.03	0.03
Max. switching frequency	[Hz]	800	500
Max. output current	[mA]	500	120
Max. switching capacity AC	[VA]	10	
Max. switching capacity DC	[W]	10	
Voltage drop	[V]	≤ 0	≤ 3.9
Residual current	[mA]	–	0

# Proximity sensors SME-8, for T-slot

Technical data – Magnetic reed

Output, additional data		
	SME-8-...-S6	SME-8-...-230
Protection against short circuit	No	
Overload protection	No	

Electronic components		
	SME-8-...-S6	SME-8-...-230
Operating voltage range [AC V]	0 ... 30	3 ... 230
Operating voltage range [V DC]	0 ... 30	3 ... 230
Reverse polarity protection	No	

Electromechanical components		
	SME-8-...-S6	SME-8-...-230
Electrical connection	Cable, 2-wire	
Connection direction	In-line	
Cable length [m]	2.5	2.5
	–	–
Cable sheath materials	TPE-S	TPE-U (PUR)

Mechanical components		
	SME-8-...-S6	SME-8-...-230
Type of mounting	Clamped in T-slot	
	Insertable in the slot lengthwise	
Housing material information	Epoxy resin	
	PET	
	High-alloy stainless steel	

Display/operation		
	SME-8-...-S6	SME-8-...-230
Switching status indication	–	Yellow LED

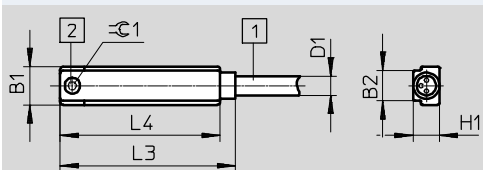
Immissions/emissions		
	SME-8-...-S6	SME-8-...-230
Ambient temperature with flexible cable installation [°C]	–5 ... +120	–5 ... +60
Ambient temperature	–40 ... +120	–
Degree of protection	–	–
	IP67	IP68
Insulation voltage [V]	50	–
Surge resistance [kV]	0.8	4
Degree of contamination	3	3

# Proximity sensors SME-8, for T-slot

Technical data – Magnetic reed

## Dimensions

Download CAD data → [www.festo.com](http://www.festo.com)

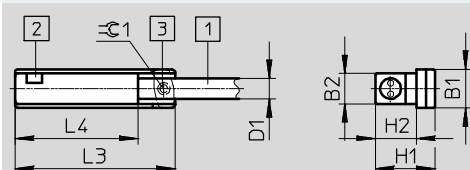


- 1 Connecting cable, 3 wire cable, 3 x 0.14 mm<sup>2</sup>
- 2 Max. tightening torque 0.2 Nm

Type	B1	B2	D1 ∅	H1	L3	L4	∅ 1
SME-8-...-S6	±0.05 6.4	-0.08 5	±0.05 ... -0.1 2.9	-0.1 4.3	28.8	+0.2 26.3	1.3

## Dimensions

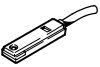
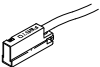
Download CAD data → [www.festo.com](http://www.festo.com)



- 1 Connecting cable
- 2 Yellow LED
- 3 Max. tightening torque 0.2 Nm

Type	B1	B2	D1 ∅	H1	H2	L3	L4	∅ 1
SME-8-K-LED-230	6.4	5	3.4	9.8	6.7	26.2	20.2	1.3

## Ordering data

	Switching output	Electrical connection	Connection direction	Cable length [m]	Weight [g]	Part No.	Type
		Cable					
N/O contact, heat resistant							
	Contacting, bipolar	2-wire	In-line	2.5	50	161756	SME-8-K-24-S6
N/O contact, operating voltage range up to 230 V AC/DC							
	Contacting, bipolar	2-wire	In-line	2.5	39	152820	SME-8-K-LED-230

# Proximity sensors SMT-8G, for T-slot

Type codes

## SMT-8G

		SMT	-	8G	-		-	24V	-	E	-		-	
<b>Function</b>														
SMT	Proximity sensor, magneto-resistive													
<b>Design</b>														
8G	For T-slot, insertable in the slot lengthwise													
<b>Switching output, switching element function</b>														
PS	PNP, N/O contact, 3-wire													
NS	NPN, N/O contact, 3-wire													
<b>Rated operating voltage</b>														
24V	24 V DC													
<b>Cable characteristics</b>														
E	Energy chain + robot													
<b>Cable length [m], connection direction</b>														
2,5Q	Cable, 2.5 m, lateral <sup>1)</sup>													
0,3Q	Cable with plug, 0.3 m, lateral <sup>2)</sup>													
<b>Electrical connection</b>														
OE	Open end													
M8D	Cable with plug M8x1, rotatable thread													

1) Only with electrical connection OE

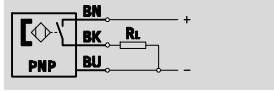
2) Not with electrical connection OE

# Proximity sensors SMT-8G, for T-slot

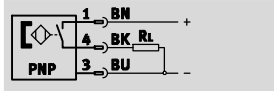
Technical data – Magneto-resistive

**Function**

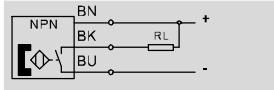
PNP, N/O contact, with cable, 3-wire



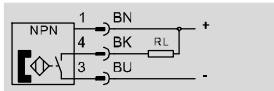
PNP, N/O contact, with plug



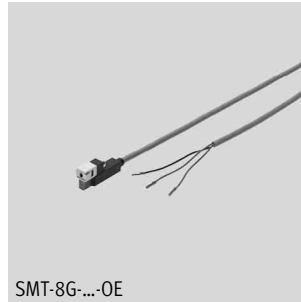
NPN, N/O contact, with cable, 3-wire



NPN, N/O contact, with plug



- Magneto-resistive measuring principle
- Insertable in the slot lengthwise
- Design ideal for gripper sensing



General technical data	
Design	For T-slot
Based on standard	EN 60947-5-2
Approval certificate	c UL us - listed (OL)
CE marking (see declaration of conformity)	To EU EMC Directive
Note on materials	Free of copper and PTFE RoHS-compliant

Input signal/measuring element	
Measuring principle	Magneto-resistive
Ambient temperature	[°C] -20 ... +70

Switching output	PNP	NPN
Switching element function	N/O contact	
Max. output current	[mA] 100	
Max. switching capacity DC	[W] 2.8	

Output, additional data	
Protection against short circuit	Pulsed
Overload protection	Yes

# Proximity sensors SMT-8G, for T-slot

Technical data – Magneto-resistive

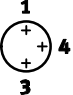
Electronic components		
Operating voltage range	[V DC]	10 ... 30
Reverse polarity protection		For all electrical connections

Electromechanical components		
Type	SMT-8G-...-OE	SMT-8G-...-M8D
Electrical connection	Cable, 3-wire	Cable with plug M8x1, 3-pin, rotatable thread
Connection direction	Lateral	
Cable test conditions	Energy chain: 5 million cycles, bending radius 28 mm	
	Torsional strength: > 300,000 cycles, ±270°/0.1 m	
	Resistance to bending: to Festo standard; test conditions on request	
Cable length	[m]	2.5
Cable characteristics	Energy chain + robot	
Cable sheath materials	Thermoplastic polyurethane elastomer	

Mechanical components	
Type of mounting	Clamped in T-slot
	Insertable in the slot lengthwise
Housing material information	Reinforced PA

Display/operation	
Switching status indication	Yellow LED

Immissions/emissions	
Ambient temperature with flexible cable installation	[°C]
	-5 ... +70
Degree of protection	IP65
	IP68

Pin allocation to EN 60947-5-2			
PS			
Plug, 3-pin			
M8x1	Pin	Wire colour	Allocation
	1	Brown	+
	3	Blue	-
	4	Black	Output

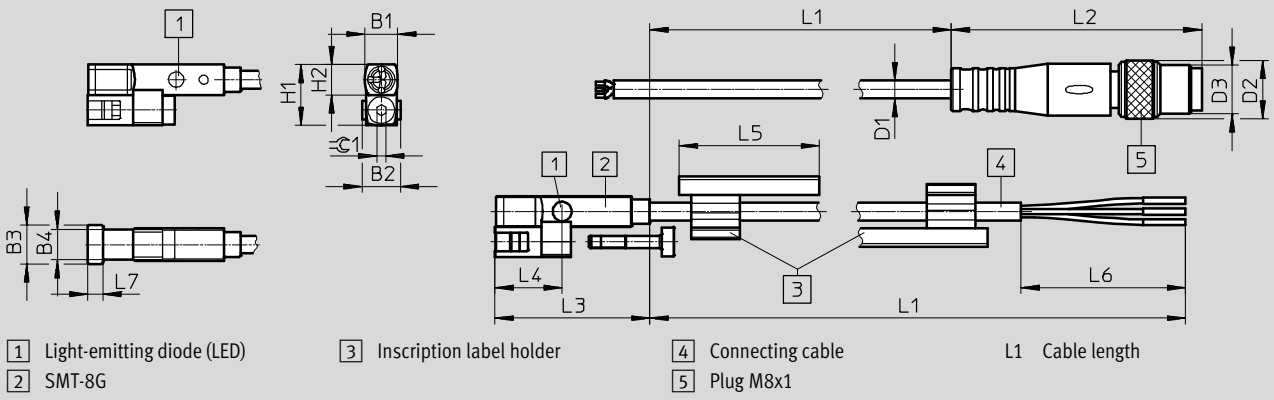


# Proximity sensors SMT-8G, for T-slot

Technical data – Magneto-resistive

## Dimensions

Download CAD data → [www.festo.com](http://www.festo.com)



	B1	B2	B3	B4	D1 ∅	D2 ∅	D3	H1	H2	L1	L2 ±0.4	L3 ±0.3	L4	L5	L6 +5	L7	⊖ 1
SMT-8G-PS-...-OE	5.4	5	6.3	5	2.9	-	-	10	5	2500 + 70	-	25	10.8	23	50	2.5	1.5
SMT-8G-PS-...-M8D						9.6	M8x1			300 + 30	41.1				-		
SMT-8G-NS-...-OE						-	-			2500 + 70	-				50		
SMT-8G-NS-...-M8D						9.6	M8x1			300 + 30	41.1				-		

## Ordering data

	Switching output	Electrical connection		Cable length [m]	Part No.	Type
		Cable	Cable with plug, rotatable thread M8x1			
N/O contact						
	PNP	3-wire	-	2.5	547859	SMT-8G-PS-24V-E-2,5Q-OE
		-	3-pin	0.3	547860	SMT-8G-PS-24V-E-0,3Q-M8D
	NPN	3-wire	-	2.5	8065028	SMT-8G-NS-24V-E-2,5Q-OE
		-	3-pin	0.3	8065027	SMT-8G-NS-24V-E-0,3Q-M8D

# Proximity sensors SME-8-FM, for T-slot

Type codes

## SME-8-FM

SME – 8 – FM – DS – 24V – K – 1,0 – OE

### Function

SME	Proximity sensor, magnetic reed
-----	---------------------------------

### Design

8	For T-slot
---	------------

### Sensor design

FM	Screw-clamped, insertable in the slot from above
----	--

### Switching output

DS	3-wire N/O contact
ZS	2-wire N/O contact

### Nominal operating voltage

24V	24 V AC/DC
-----	------------

### Cable characteristics

K	Standard
---	----------

### Cable length [m]

1,0	1
-----	---

### Electrical connection

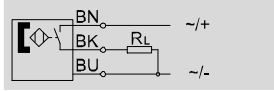
OE	Open end
----	----------

# Proximity sensors SME-8-FM, for T-slot

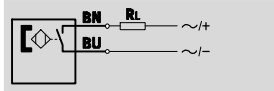
Technical data – Magnetic reed

**Function**

N/O contact, with cable, 3-wire



N/O contact, with cable, 2-wire



- Magnetic reed measuring principle
- Insertable in the slot from above



General technical data	
Design	For T-slot
Based on standard	EN-60947-5-2
Certification	RCM trademark
CE marking (see declaration of conformity)	To EU EMC Directive
Note on materials	Free of copper and PTFE RoHS-compliant

Input signal/measuring element	
Measuring principle	Magnetic reed
Ambient temperature [°C]	-10 ... +60

Switching output		
Type	SME-8-FM-DS	SME-8-FM-ZS
Switching output	Contacting, bipolar	
Switching element function	N/O contact	
Max. output current [mA]	100	
Max. switching capacity AC [VA]	3	
Max. switching capacity DC [W]	3	

Output, additional data	
Protection against short circuit	No
Overload protection	No

Electronic components		
Operating voltage range [AC V]	10 ... 30	
Operating voltage range [V DC]	10 ... 30	

Electromechanical components		
Type	SME-8-FM-DS	SME-8-FM-ZS
Electrical connection	Cable, 3-wire	Cable, 2-wire
Connection direction	In-line	
Cable test conditions	Test conditions on request	
Cable length [m]	1	
Cable characteristics	Standard	
Cable sheath materials	PVC	

Mechanical components		
Type	SME-8-FM-DS	SME-8-FM-ZS
Type of mounting	Screw-clamped Insertable in the slot from above	
Housing material information	PA	

# Proximity sensors SME-8-FM, for T-slot

Technical data – Magnetic reed

Display/operation	
Switching status indication	Yellow LED

Immissions/emissions	
Ambient temperature with flexible cable installation	[°C] -5 ... +60
Degree of protection	IP67

**Dimensions** Download CAD data → [www.festo.com](http://www.festo.com)



	B1	B2	D1 ∅	H1	L1	L2
SME-8-FM	5.1	5.8	2.9	6	27.4	1,000

Ordering data						
	Switching output	Electrical connection	Cable length [m]	Part No.	Type	
		Cable				
	Contacting, bipolar	3-wire	1	562515	SME-8-FM-DS-24V-K-1,0-OE	
		2-wire	1	562516	SME-8-FM-ZS-24V-K-1,0-OE	

# Proximity sensors SDBT-BSW-..., for T-slot

Type codes

## SDBT-BSW

SDBT - B S W - 1 L - - W - - - -

### Function

SDBT	Sensor, position, binary, T series
------	------------------------------------

### Sensor design

B	Insertable in slot, clamp at rear
---	-----------------------------------

### Sensor principle

S	Non-contacting
---	----------------

### Additional features

W	Welding field immune
---	----------------------

### Nominal operating voltage

1	24 V DC
---	---------

### Display

L	LED
---	-----

### Digital switching output

PU	3-wire N/O contact, PNP
----	-------------------------

NU	3-wire N/O contact, NPN
----	-------------------------

ZU	2-wire N/O contact
----	--------------------

### Cable characteristic

W	Resistant to welding spatter
---	------------------------------

### Cable length

0,3	0.3 m
-----	-------

5	5 m
---	-----

### Cable designation

N	Without inscription label holder
---	----------------------------------

### Electrical connection

LE	Open end
----	----------

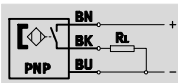
M12	Plug connector M12, A-coded
-----	-----------------------------

# Proximity sensors SDBT-BSW-..., for T-slot

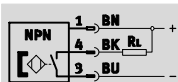
Technical data – Magneto-resistive

## Function

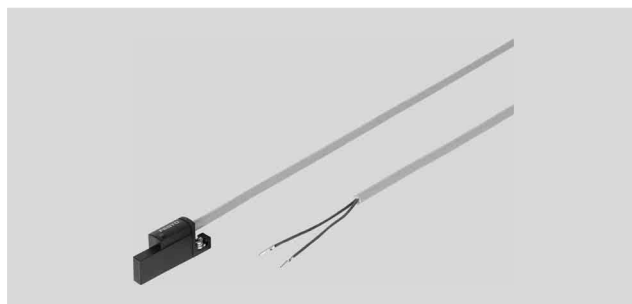
e.g.:... -PU-...-LE



e.g.:... -NU-...-M12



- Oil-resistant
- Welding field immune, AC 50 ... 60 Hz, MFDC 1000 Hz
- Resistant to welding spatter
- Resistant to UV radiation



## Note

- For contactless piston-rod position sensing in Festo pneumatic cylinders, in particular the hinge cylinder DFAW for AMI, in low and medium frequency welding installations (50/60 Hz, 1000 Hz) with strong constant or alternating magnetic fields.
- When using the SDBT-BSW on drives other than the DFAW series, multiple switching can occur.
- The SDBT-BSW-...-ZU-... (2-wire version for 50/60 Hz AC) can be used on all drives.
- The SDBT-BSW-...-PU/NU-... (3-wire version for 50/60 Hz AC and 1000 Hz MFDC) can be used on the following drives (see table). For drives that are not listed, reliable functioning cannot be guaranteed. The application range should be checked where necessary.

### SDBT-BSW-...-PU/NU-... (3-wire version for 50/60 Hz AC and 1000 Hz MFDC)

Drive	∅ [mm]	8	10	12	16	18	20	25	32	40	50	63	80	100
DFAW		-	-	-	-	-	-	-	-	-	■	■	■	-
DSBC		-	-	-	-	-	-	-	■	■	-	-	-	-
ADN		-	-	■	■	-	■	■	■	■	-	-	-	-
ADVU		-	-	■	■	-	■	■	■	■	■	-	-	-
DFM		-	-	■	■	-	■	■	■	■	■	■	-	-
DSBG		-	-	-	-	-	-	-	■	■	■	■	-	■
DSNU		■	■	■	■	-	■	■	■	■	■	-	-	-
DGC-K		-	-	-	-	■	-	■	-	-	-	-	-	-

### General technical data

Design	For T-slot
Based on standard	EN 60947-5-2
Approval	RCM mark c UL us - Listed (OL)
Special characteristics	Oil-resistant Welding field immune Resistant to welding spatter Resistant to UV radiation
Switching characteristics during the welding process	Output signal freezes
CE marking (see declaration of conformity)	To EU EMC Directive
KC marking	KC EMC
Note on materials	Free of copper and PTFE, RoHS-compliant

### Input signal/measuring element

Measuring principle	Magneto-resistive
Measured variable	Position
Ambient temperature [°C]	-25 ... +85

### Signal processing

Max. travel speed [m/s]	1
-------------------------	---

## Proximity sensors SDBT-BSW-..., for T-slot

Technical data – Magneto-resistive

Switching output		...-PU-...	...- NU-...	...-ZU-...
Switching element function		N/O contact		
Switching output repetition accuracy	[mm]	±0.2		
Switch-on time	[ms]	≤15		
Switch-off time	[ms]	≤25		
Max. switching frequency	[Hz]	25		
Max. output current	[mA]	100		80
Max. output current in mounting kits	[mA]	100		80
Max. switching capacity DC	[W]	2.8		1.9
Max. switching capacity DC in mounting kits	[W]	2.8		1.9
Voltage drop	[V]	<1.5		<6
Minimum load current	[mA]	0		2.4
Residual current	[mA]	<0.005	<0.14	<0.7

### Output, additional data

Protection against short circuit	Yes, pulsed
Overload protection	Yes

### Electronic components

Switching output	PNP
Rated operating voltage	[V DC] 24
Operating voltage range	[V DC] 10 ... 30
Reverse polarity protection	For all electrical connections

### Electromechanical components

	...-PU/ NU-...-M12	...-PU/ NU-...-LE	...-ZU-...-LE
Electrical connection	Cable with plug connector, 3-pin, M12x1, A-coded to EN 61076-2-101, screw-type lock	Cable, 3-wire, open end	Cable, 2-wire, open end
Connection direction	In-line		
Cable characteristic	Resistant to welding spatter		
Cable test conditions	Test conditions on request		


# Proximity sensors SDBT-BSW-..., for T-slot

Technical data – Magneto-resistive

Mechanical system	...-PU/ NU-...-M12	...-PU/ NU-...-LE	...-ZU-...-LE
Type of mounting	Screw-clamped, insertable in the slot from above		
Mounting position	Any		
Max. tightening torque [Nm]	0.6		
Information on materials			
Housing	Epoxy resin, high-alloy stainless steel, PA reinforced, black		
Union nut	Nickel-plated brass	–	–
Cable sheath	PVC, irradiated grey		
Insulating sheath	PVC		
Plug housing	TPE-U(PU)	–	–
Wire ends	–	Wire end sleeve	Wire end sleeve
Pin contacts	Nickel-plated and gold-plated brass	–	–

Display/operation	
Switching status display	Yellow LED
Operating reserve display	Orange LED

Immissions/emissions	
Ambient temperature with flexible cable installation [°C]	–5 ... +80
Degree of protection	IP65 IP68
Resistance to interference from magnetic fields	Design insensitive to permanent magnetic fields < Bon
[ZU]	Insensitive to alternating magnetic fields (50 ... 60 Hz) < 160 mT
[PU/NU]	Insensitive to MFDC magnetic fields (1000 Hz) < 200 mT, insensitive to alternating magnetic fields (50 ... 60 Hz) < 200 mT

Pin allocation to EN 60947-5-2			
M12x1, 3-pin			
N/O contact			
	Pin	Wire colour	Allocation
	1	Brown	+
	3	Blue	–
	4	Black	Outlet



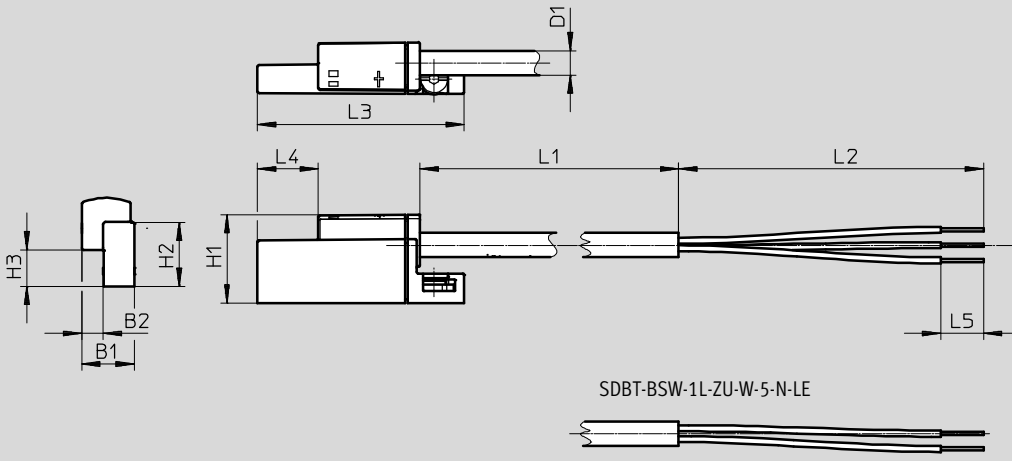
# Proximity sensors SDBT-BSW-..., for T-slot

Technical data – Magneto-resistive

## Dimensions open end

Download CAD data → [www.festo.com](http://www.festo.com)

SDBT-BSW-1L-...-W-5-N-LE

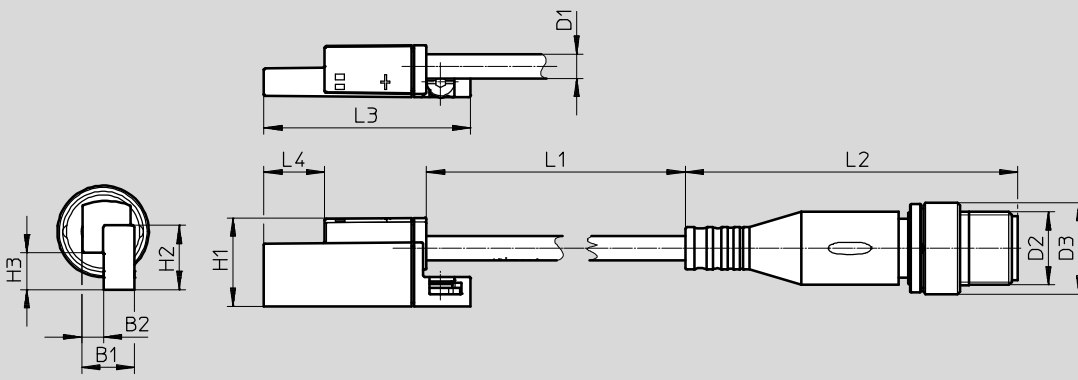


Type	B1	B2	D1 · $\sigma$	H1	H2	H3	L1	L2	L3	L4	L5
SDBT-BSW-1L-PU-W-5-N-LE	8.5	3.5	4	14.5	10.5	6	5000	50	34	10	7
SDBT-BSW-1L-ZU-W-5-N-LE											
SDBT-BSW-1L-NU-W-5-N-LE											

## Dimensions with plug connector

Download CAD data → [www.festo.com](http://www.festo.com)


SDBT-BSW-1L-...-W-0.3-N-M12





Type	B1	B2	D1 · $\sigma$	D2	D3 · $\sigma$	H1	H2	H3	L1	L2	L3	L4
SDBT-BSW-1L-PU-W-0,3-N-M12	8.5	3.5	4	M12	15	14.5	10.5	6	300	54.5	34	10
SDBT-BSW-1L-NU-W-0,3-N-M12												

# Proximity sensors SDBT-BSW-..., for T-slot

Technical data – Magneto-resistive

Ordering data					
	Switching output	Cable length	Weight	Part No.	Type
		[m]	[g]		
N/O contact					
	3-wire, NPN	0.3	23.3	<b>2427615</b>	<b>SDBT-BSW-1L-NU-W-03-N-M12</b>
	3-wire, PNP	5	119.4	<b>2427616</b>	<b>SDBT-BSW-1L-PU-W-5-N-LE</b>
	3-wire, NPN	5	119.4	<b>2427618</b>	<b>SDBT-BSW-1L-NU-W-5-N-LE</b>
	3-wire, PNP	0.3	23.3	<b>2476855</b>	<b>SDBT-BSW-1L-PU-W-03-N-M12</b>
	2-wire, contactless	5	116.9	<b>2427617</b>	<b>SDBT-BSW-1L-ZU-W-5-N-LE</b>

Accessories – Connecting cables					
	Switching output	Cable length	Weight	Part No.	Type
		[m]	[g]		
Resistant to welding spatter					
	3-wire, M12x1 straight socket	3	–	<b>30450</b>	<b>SIM-M12-RS-3GD-3</b>
	3-wire, M12x1 angled socket	3	–	<b>30451</b>	<b>SIM-M12-RS-3WD-3</b>

# Proximity sensors SDBT-MS-...-EX6, for T-slot

Type codes

SDBT-EX6	
SDBT – M – S – 20N L – ZN – E – [ ] – LE – EX6	
<b>Function</b>	
SDBT	Sensor, position, binary, T series
<b>Sensor design</b>	
M	Insertable in slot, clamp at rear
<b>Sensor principle</b>	
S	Non-contacting (solid state)
<b>Nominal operating voltage</b>	
20N	8.2 V DC
<b>Display</b>	
L	LED
<b>Digital switching output</b>	
ZN	2-wire, NAMUR
<b>Cable characteristic</b>	
E	Suitable for energy chains and robot applications
<b>Cable length</b>	
5	5 m
10	10 m
<b>Electrical connection</b>	
LE	Open end
<b>EU certification</b>	
EX6	II 1 GD

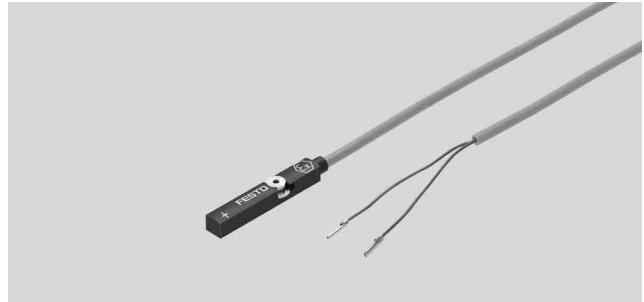
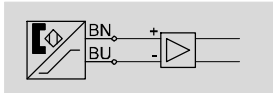
# Proximity sensors SDBT-MS-...-EX6, for T-slot

Technical data – Magneto-resistive

FESTO

Function

• ATEX 1GD



General technical data	
Design	For T-slot
Based on standard	EN 60947-5-6
Approval certificate	RCM mark
Special characteristics	Oil resistant
Max. input voltage $U_i$	[V] 28
Max. input current $I_i$	[A] 0.25
Max. input power $P_i$	[mW] T4: 350 mW T6: 72 mW
Effective internal inductance $L_i$	[ $\mu$ H] 30
Effective internal capacitance $C_i$	[ $\mu$ F] 79
Certificate issuing authority	PTZ 16 ATEX 0010 X IECEX PTZ 18.0008X DNV 17.0027 X
CE marking (see declaration of conformity)	To EU EMC Directive To EU Explosion Protection Directive (ATEX)
KC marking	KC EMC

Input signal/measuring element	
Measured variable	Position
Measuring principle	Magneto-resistive
Ambient temperature	[ $^{\circ}$ C] -40 ... +85
Ambient temperature with flexible cable installation	[ $^{\circ}$ C] -20 ... +85

ATEX	
ATEX category gas	II 1G
Type of ignition protection for gas	Ex ia IIC T4 ... T6 Ga
ATEX category for dust	II 1D
Type of ignition protection for dust	Ex ia IIIC T135 $^{\circ}$ C Da
Explosion ambient temperature	T4, with fixed cable installation: -40 $^{\circ}$ C $\leq$ Ta $\leq$ +85 $^{\circ}$ C T4: -20 $^{\circ}$ C $\leq$ Ta $\leq$ +85 $^{\circ}$ C T6, with fixed cable installation: -40 $^{\circ}$ C $\leq$ Ta $\leq$ +45 $^{\circ}$ C T6: -20 $^{\circ}$ C $\leq$ Ta $\leq$ +45 $^{\circ}$ C
Explosion protection certification outside the EU	EPL Da (IEC-Ex) EPL Da (BR) EPL Ga (IEC-EX) EPL Ga (BR)

# Proximity sensors SDBT-MS-...-EX6, for T-slot

Technical data – Magneto-resistive

Materials	
Housing	High-alloy stainless steel
	PA reinforced, black
Cable sheath	TPE-U(PUR), blue
Insulating sheath	PP
Note on materials	Free of copper and PTFE
	RoHS compliant
	Halogen-free

Switching output	
NAMUR	
Switching element function	NAMUR
Switching output repetition accuracy	[mm] 0.2
Switch-on time	[ms] < 1
Switch-off time	[ms] < 1
Max. switching frequency	[Hz] 330
Off-state current	[mA] 0.4 ... 1

Electronics	
Rated operating voltage	[V DC] 8.2
Operating voltage range	[V DC] 7.5 ... 18
Residual ripple	[%] 10
Reverse polarity protection	For all electrical connections

Electromechanical components	
Electrical connection	Cable, 2-wire, open end
Outlet direction of connection	In-line
Cable characteristic	Suitable for robot applications and energy chains
Cable test conditions	Test conditions on request
	Bending strength according to Festo standard

Mechanical safety	
Type of mounting	Screw-clamped
Mounting position	Any, insertable in slot from above
Max. tightening torque	[Nm] 0.6
Wire ends	Wire end sleeve

Display/operation	
Switching status indication	Yellow LED

Immissions/emissions	
Degree of protection	IP65
	IP68

# Proximity sensors SDBT-MS-...-EX6, for T-slot

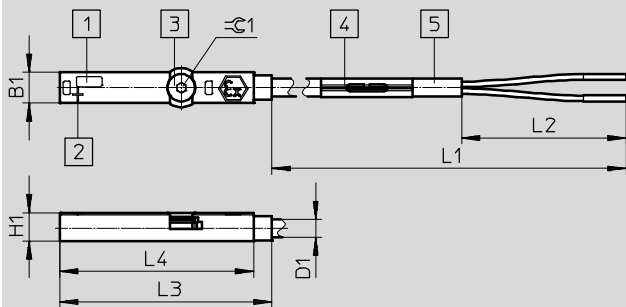
Technical data – Magneto-resistive



## Dimensions open end

Download CAD data → [www.festo.com](http://www.festo.com)

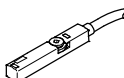
SDBT-MS-20NL-ZN-E-...-LE-EX6



- 1 Yellow LED
- 2 Marking indicates centre of sensor element
- 3 Clamping component
- 4 90° angled inscription label holder
- 5 Connecting cable

Type	B1	D1 ∅	H1	L1	L2	L3	L4	⊖ 1
SDBT-MS-20NL-ZN-E-5-LE-EX6	5.1	2.9	4.6	5000	27	34.8	41.8	1.5
SDBT-MS-20NL-ZN-E-10-LE-EX6				10000				

## Ordering data

	Switching output	Cable length [m]	Weight [g]	Part No.	Type
	2-wire, NAMUR	5	53	579071	SDBT-MS-20NL-ZN-E-5-LE-EX6
		10	104	579072	SDBT-MS-20NL-ZN-E-10-LE-EX6

# Proximity sensors SMTO/SMTSO/SMEO-8E, for T-slot

Type codes

## SMTO/SMTSO/SMEO-8E

SMTO – 8E – PS – M12 – LED – 24 –

### Function

SMTO	Proximity sensor, magneto-resistive
SMTSO	Proximity sensor, magneto-inductive, welding field immune
SMEO	Proximity sensor, magnetic reed

### Design

8E	For T-slot, mounting via accessories
----	--------------------------------------

### Switching output, switching element function

PS	PNP, N/O contact, 3-wire
NS	NPN, N/O contact, 3-wire

### Electrical connection, cable length

K	Cable, 2.5 m or 7.5 m
S	Plug M8x1
M12	Plug M12x1

### Switching status indication

LED	Yellow LED
-----	------------

### Rated operating voltage

24	24 V DC
230	230 V AC

### Variant

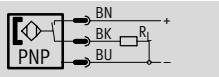
S6	Heat resistant
----	----------------

# Proximity sensors SMT0-8E/SMTSO-8E, for T-slot

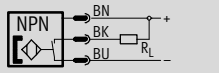
Technical data – Magneto-resistive

**Function**

e.g. PNP, N/O contact, with plug



NPN, N/O contact, with plug



- Magneto-resistive measuring principle
- Welding field immune designs



General technical data		
Type	SMT0-8E	SMTSO-8E, welding field immune
Design	For T-slot	
Approval certificate	RCM trademark	
CE marking (see declaration of conformity)	To EU EMC Directive <sup>1)</sup>	
Note on materials	Free of copper and PTFE	
	RoHS-compliant	–

1) For information about the applicability of the component see the manufacturer's EC declaration of conformity at: [www.festo.com/sp](http://www.festo.com/sp) → User documentation.  
If the component is subject to restrictions on usage in residential, office or commercial environments or small businesses, further measures to reduce the emitted interference may be necessary.

Input signal/measuring element		
Type	SMT0-8E	SMTSO-8E, welding field immune
Measuring principle	Magneto-resistive	Magneto-inductive
Ambient temperature [°C]	–20 ... +60	–25 ... +70

Switching output				
Type	SMT0-8E		SMTSO-8E, welding field immune	
Switching output	PNP	NPN	PNP	NPN
Switching element function	N/O contact			
Reproducibility of switching value [mm]	±0.1			
Switch-on time [ms]	0 ... 0.5		0 ... 38	
Switch-off time [ms]	10 ... 25		0 ... 20	
Max. output current [mA]	100		200	
Max. switching capacity DC [W]	3		6	
Voltage drop [V]	0 ... 1.8		0 ... 1.8	0 ... 3
Residual current [µA]	0.01			

Output, additional data				
Type	SMT0-8E		SMTSO-8E, welding field immune	
Switching output	PNP	NPN	PNP	NPN
Protection against short circuit	Pulsed		Yes	Pulsed
Overload protection	Yes			

Electronic components		
Operating voltage range DC [V]	10 ... 30	
Reverse polarity protection	For all electrical connections	



# Proximity sensors SMT0-8E/SMTSO-8E, for T-slot

Technical data – Magneto-resistive

Electromechanical components			
Type	SMT0-8E-...-S	SMT0-8E-...-M12	SMTSO-8E-...-M12, welding field immune
Electrical connection	Plug M8x1, 3-pin	Plug M12x1, 3-pin	Plug M12x1, 3-pin
Connection direction	Lateral		
Max. tightening torque, plug [Nm]	0.3	0.5	0.5

Mechanical components			
Type	SMT0-8E-...-S	SMT0-8E-...-M12	SMTSO-8E-...-M12, welding field immune
Type of mounting	Clamped in T-slot Insertable in the slot from above Via accessories		
Tightening torque [Nm]	1	0.5	0.5
Housing material information	TPE-U(PU)	TPE-U(PU)	TPE-U(PU)
	Nickel-plated brass	High-alloy stainless steel	High-alloy stainless steel
	–	Wrought aluminium alloy	Wrought aluminium alloy
	–	–	PA

Display/operation	
Switching status indication	Yellow LED

Immissions/emissions			
Type	SMT0-8E-...-S	SMT0-8E-...-M12	SMTSO-8E-...-M12, welding field immune
Degree of protection	IP65		
	IP67		
Resistance to interference from magnetic fields	–	–	Alternating magnetic field 45 ... 65 Hz

Pin allocation to EN 60947-5-2							
M8x1, 3-pin				M12x1, 3-pin			
N/O contact				N/O contact			
	Pin	Wire colour	Allocation		Pin	Wire colour	Allocation
	1	Brown	+		1	Brown	+
	3	Blue	–		3	Blue	–
	4	Black	Output		4	Black	Output

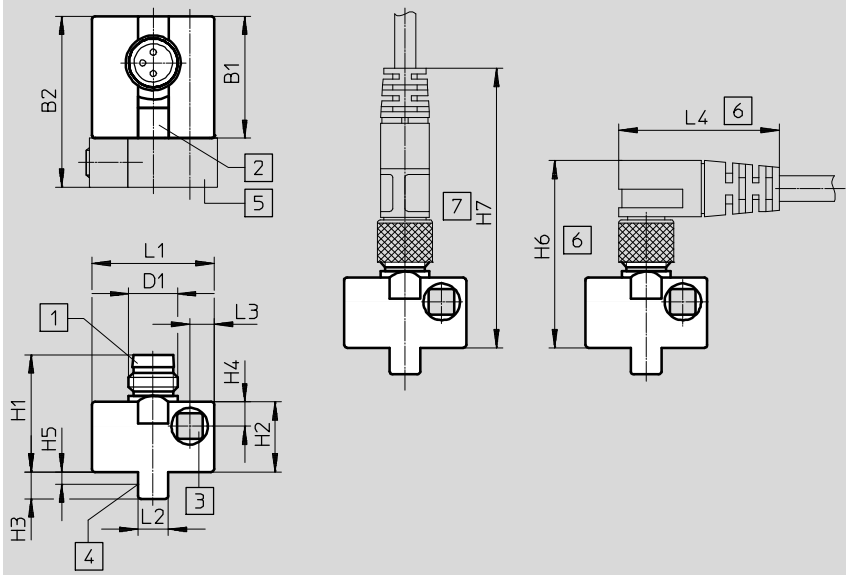
# Proximity sensors SMT0-8E/SMTSO-8E, for T-slot

Technical data – Magneto-resistive

## Dimensions

Download CAD data → [www.festo.com](http://www.festo.com)

SMT0-8E-...-S-LED-24 – Plug M8x1



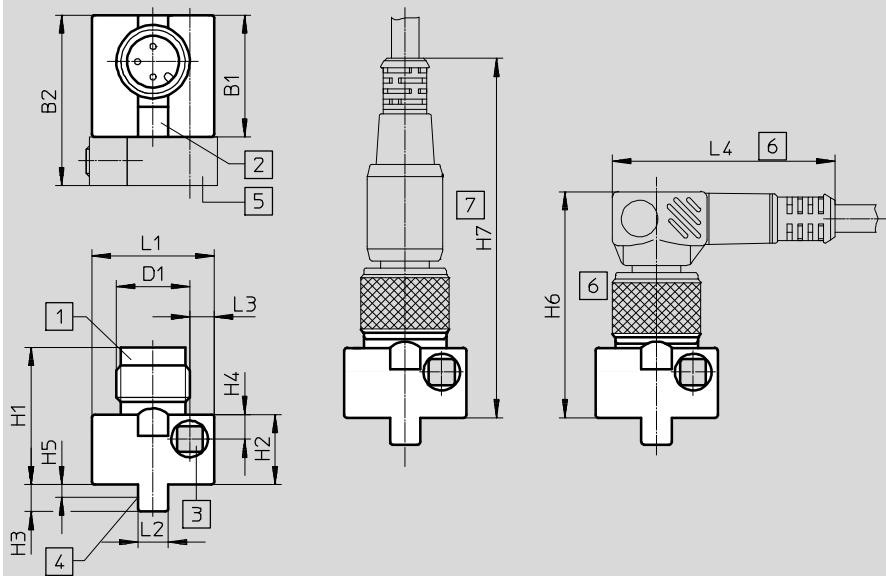
- 1 Suitable for socket type SIM-M8
- 2 Yellow LED
- 3 Socket head screw M3x25 DIN 912, max. tightening torque 1 Nm
- 4 Theoretical switching point
- 5 Mounting kit SMB-8E (not included in scope of delivery)
- 6 Installation space for angled plug socket 90°
- 7 Installation space for straight plug socket

	B1 ±0.3	B2	D1	H1	H2 ±0.27	H3	H4	H5	H6	H7	L1 ±0.3	L2	L3	L4
SMT0-8E- ... -S-LED-24	20	28	M8x1	19.2	11.5	4.4	4	2.2	~32	~46	20	5	4	~26

## Dimensions

Download CAD data → [www.festo.com](http://www.festo.com)

SMT0-8E-...-M12-LED-24 – Plug M12x1



- 1 Suitable for socket type SIM-M12
- 2 Yellow LED
- 3 Socket head screw M3x25 DIN 912, max. tightening torque 1 Nm
- 4 Theoretical switching point
- 5 Mounting kit SMB-8E (not included in scope of delivery)
- 6 Installation space for angled plug socket 90°
- 7 Installation space for straight plug socket

	B1 ±0.3	B2	D1	H1 ±0.34	H2 ±0.27	H3	H4	H5	H6	H7	L1 ±0.3	L2	L3	L4
SMT0-8E- ... -M12-LED-24	20	28	M12x1	22.5	11.5	4.4	4	2.2	~36	~59	20	5	4	~36.5

# Proximity sensors SMT0-8E/SMTSO-8E, for T-slot

Technical data – Magneto-resistive

**Dimensions**

Download CAD data → [www.festo.com](http://www.festo.com)

SMTSO-8E-...-M12-LED-24 – Plug M12x1

- 2 Yellow LED
- 5 Mounting kit SMB-8E (not included in scope of delivery)
- 7 Installation space for connecting cable NEBU-M12G5



	B1	B2	D1	H1 +0.5	H2	H3 ±0.2	H7	H8	H9	L1	L2	L3	L5	L6
SMT0-8E- ... -M12-LED-24	17	24.8	M12x1	21.5	11.5	2.5	~56	7.5	4.2	28	4.8	23.5	17.5	4.5

**Ordering data**

	Switching output	Electrical connection		Part No.	Type
		Plug M8x1	Plug M12x1		
<b>N/O contact, basic version</b>					
	PNP	3-pin	–	<b>171178</b>	<b>SMT0-8E-PS-S-LED-24</b>
		–	3-pin	<b>171179</b>	<b>SMT0-8E-PS-M12-LED-24</b>
	NPN	3-pin	–	<b>171166</b>	<b>SMT0-8E-NS-S-LED-24</b>
		–	3-pin	<b>171176</b>	<b>SMT0-8E-NS-M12-LED-24</b>
<b>N/O contact, welding field immune</b>					
	PNP	–	3-pin	<b>191986</b>	<b>SMTSO-8E-PS-M12-LED-24</b>
	NPN	–	3-pin	<b>175825</b>	<b>SMTSO-8E-NS-M12-LED-24</b>

# Proximity sensors SMT0-8E/SMTSO-8E, for T-slot

Technical data – Magneto-resistive

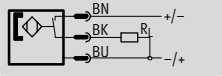
Accessories – Connecting cables					
	Switching output	Cable length	Weight	Part No.	Type
		[m]	[g]		
Resistant to welding spatter					
	3-wire, M12x1 straight socket	3	–	<b>30450</b>	<b>SIM-M12-RS-3GD-3</b>
	3-wire, M12x1 angled socket	3	–	<b>30451</b>	<b>SIM-M12-RS-3WD-3</b>

# Proximity sensors SMEO-8E, for T-slot

Technical data – Magnetic reed

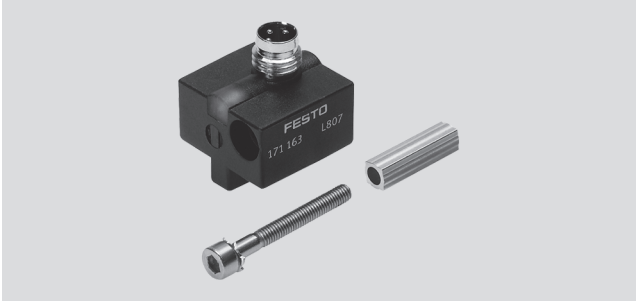
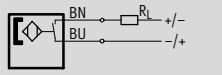
**Function**

e.g. N/O contact, 3-wire, with plug



- Magnetic reed measuring principle
- Heat resistant variant

E.g. N/O contact, 2-wire, with cable



General technical data			
	SMEO-8E-...-24	SMEO-8E-...-24-S6, heat resistant	SMEO-8E-...-230
Design	For T-slot	For T-slot	For T-slot
Conforms to standard	EN 60947-5-2	–	EN 60947-5-2
Certification	–	–	RCM trademark
CE marking (see declaration of conformity)	To EU EMC Directive <sup>1)</sup>	–	To EU EMC Directive <sup>1)</sup>
	–		To EU Low Voltage Directive
Note on materials	Free of copper and PTFE	Free of copper and PTFE	Free of copper and PTFE
	RoHS-compliant	–	–

1) For information about the applicability of the component see the manufacturer's EC declaration of conformity at: [www.festo.com/sp](http://www.festo.com/sp) → User documentation.  
If the component is subject to restrictions on usage in residential, office or commercial environments or small businesses, further measures to reduce the emitted interference may be necessary.

Input signal/measuring element			
	SMEO-8E-...-24	SMEO-8E-...-24-S6, heat resistant	SMEO-8E-...-230
Measuring principle	Magnetic reed	Magnetic reed	Magnetic reed
Ambient temperature [°C]	–40 ... +60	–40 ... +120	–20 ... +60

Switching output			
	SMEO-8E-...-24	SMEO-8E-...-24-S6, heat resistant	SMEO-8E-...-230
Switching output	Contacting, bipolar	Contacting	Contacting, bipolar
	–	–	Without LED function
Switching element function	N/O contact	N/O contact	N/O contact
Reproducibility of switching value [mm]	±0.1	±0.1	±0.1
Switch-on time [ms]	0 ... 0.5	0 ... 0.5	0 ... 2
Switch-off time [ms]	0.03	0.03	0.03
Max. switching frequency [Hz]	800	500	500
Max. output current [mA]	500	500	120
Max. switching capacity DC [W]	10	10	10
Max. switching capacity AC [VA]	10	10	10
Voltage drop [V]	–	0.5	3.9

Output, additional data	
Protection against short circuit	No
Overload protection	No

Electronic components			
	SMEO-8E-...-24	SMEO-8E-...-24-S6, heat resistant	SMEO-8E-...-230
Operating voltage range DC [V]	12 ... 30	0 ... 30	3 ... 250
Operating voltage range AC [V]	12 ... 30	0 ... 30	3 ... 230
Reverse polarity protection	No	For all electrical connections	No

# Proximity sensors SMEO-8E, for T-slot

Technical data – Magnetic reed

Electromechanical components				
Type	SMEO-8E-S-LED-24	SMEO-8E-M12-LED-24	SMEO-8E-K-24-S6, heat resistant	SMEO-8E-M12-LED-230
Electrical connection	Plug M8x1, 3-pin	Plug M12x1, 3-pin	Cable, 2-wire	Plug M12x1, 3-pin
Connection direction	Lateral	Lateral	Lateral	In-line
Pin contact materials	Nickel-plated brass	Brass	–	–
Cable length [m]	–	–	2.5	–
Cable sheath materials	–	–	TPE-S	–

Mechanical components				
Type	SMEO-8E-S-LED-24	SMEO-8E-M12-LED-24	SMEO-8E-K-24-S6, heat resistant	SMEO-8E-M12-LED-230
Type of mounting	Via accessories		Via accessories	Via accessories
Tightening torque [Nm]	0.5	0.5	0.5	0.5
Housing material information	TPE-U(PU)	TPE-U(PU)	TPE-U(PU)	TPE-U(PU)
	High-alloy stainless steel	High-alloy stainless steel	–	High-alloy stainless steel
	Wrought aluminium alloy	Wrought aluminium alloy	–	Wrought aluminium alloy
	Nickel-plated brass	–	–	–

Display/operation			
	SMEO-8E-...-24	SMEO-8E-...-24-S6, heat resistant	SMEO-8E-...-230
Switching status indication	Yellow LED	–	Yellow LED

Immissions/emissions			
	SMEO-8E-...-24	SMEO-8E-...-24-S6, heat resistant	SMEO-8E-...-230
Ambient temperature with flexible cable installation [°C]	–	–40 ... +120	–
Degree of protection	IP65	IP65	IP65
	IP67	IP67	IP67
Insulation voltage [V]	–	50	–
Surge resistance [kV]	0.8	–	4
Degree of contamination	3	3	3

Pin allocation to EN 60947-5-2			
M8x1, 3-pin			
N/O contact			
	Pin	Wire colour	Allocation
	1	Brown	+
	3	Blue	–
	4	Black	Output
M12x1, 3-pin, 24 V			
N/O contact			
	Pin	Wire colour	Allocation
	1	Brown	+
	3	Blue	–
	4	Black	Output

Pin allocation to EN 60947-5-2			
M12x1, 3-pin, 230 V			
N/O contact			
	Pin	Wire colour	Allocation
	4	Black	~ / +
	3	Blue	~ / –

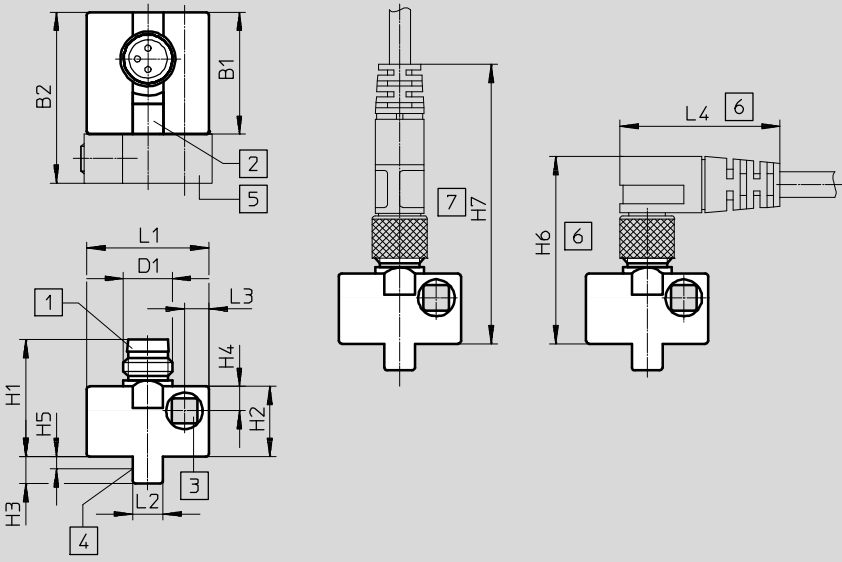
# Proximity sensors SMEO-8E, for T-slot

Technical data – Magnetic reed

## Dimensions

Download CAD data → [www.festo.com](http://www.festo.com)

SMEO-8E-S-LED-24 – Plug M8x1



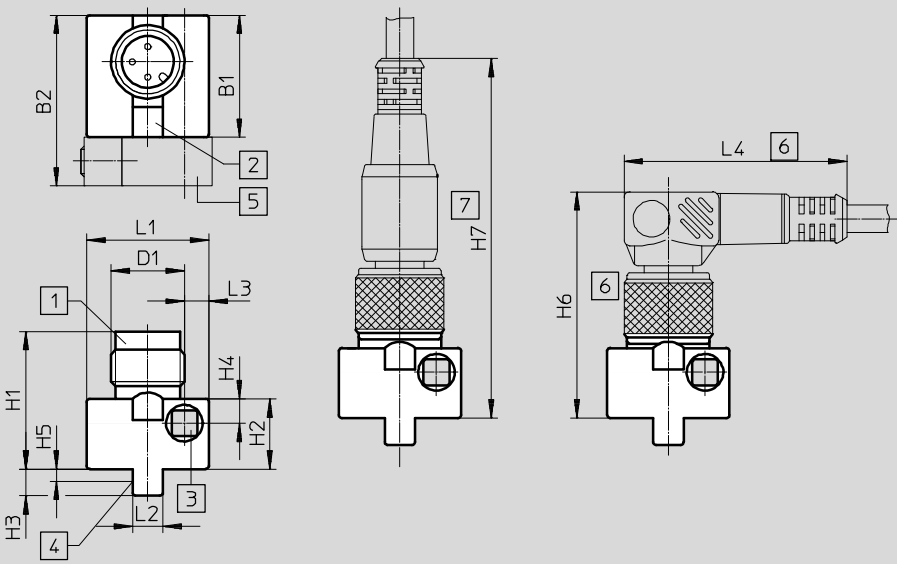
- 1 Suitable for socket type SIM-M8
- 2 Yellow LED
- 3 Socket head screw M3x25 DIN 912, max. tightening torque 1 Nm
- 4 Theoretical switching point
- 5 Mounting kit SMB-8E (not included in scope of delivery)
- 6 Installation space for angled plug socket 90°
- 7 Installation space for straight plug socket

	B1 ±0.3	B2	D1	H1	H2 ±0.27	H3	H4	H5	H6	H7	L1 ±0.3	L2	L3	L4
SMEO-8E-...-S-LED-24	20	28	M8x1	19.2	11.5	4.4	4	2.2	~32	~46	20	5	4	~26

## Dimensions

Download CAD data → [www.festo.com](http://www.festo.com)

SMEO-8E-M12-LED-24 – Plug M12x1



- 1 Suitable for socket type SIM-M12
- 2 Yellow LED
- 3 Socket head screw M3x25 DIN 912, max. tightening torque 1 Nm
- 4 Theoretical switching point
- 5 Mounting kit SMB-8E (not included in scope of delivery)
- 6 Installation space for angled plug socket 90°
- 7 Installation space for straight plug socket

	B1 ±0.3	B2	D1	H1 ±0.34	H2 ±0.27	H3	H4	H5	H6	H7	L1 ±0.3	L2	L3	L4
SMEO-8E-...-M12-LED-24	20	28	M12x1	22.5	11.5	4.4	4	2.2	~36	~59	20	5	4	~36.5

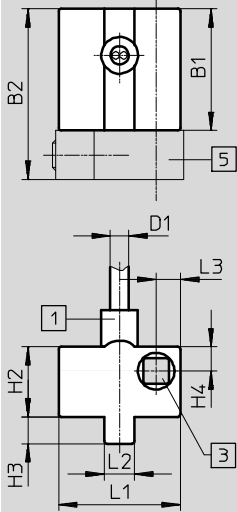
# Proximity sensors SMEO-8E, for T-slot

Technical data – Magnetic reed

## Dimensions

Download CAD data → [www.festo.com](http://www.festo.com)

SMEO-8E-K24-S6 – Cable, heat resistant to 120°C



- 1 Cable, 2.5 m long, 2 x 0.14mm<sup>2</sup>
- 3 Socket head screw M3x25 DIN 912, max. tightening torque 1 Nm
- 5 Mounting kit SMB-8E (not included in scope of delivery)

	B1 ±0.3	B2	D1	H2 ±0.27	H3	H4	L1 ±0.3	L2	L3
SMEO-8E-K24-S6	20	28	2.9	11.5	4.4	4	20	5	4

## Ordering data

	Switching output	Electrical connection			Cable length [m]	Product weight [g]	Part No.	Type
		Cable	Plug M8x1	Plug M12x1				
N/O contact, basic version								
	Contacting, bipolar	-	3-pin	-		10	171163	SMEO-8E-S-LED-24
			-	3-pin		9	171164	SMEO-8E-M12-LED-24
N/O contact, heat resistant								
	Contacting, bipolar		2-wire	-	2.5	40	171158	SMEO-8E-K-24-S6
N/O contact, operating voltage range 3 ... 250 V AC/DC								
	Contacting, bipolar		-	3-pin	-	9	171160	SMEO-8E-M12-LED-230

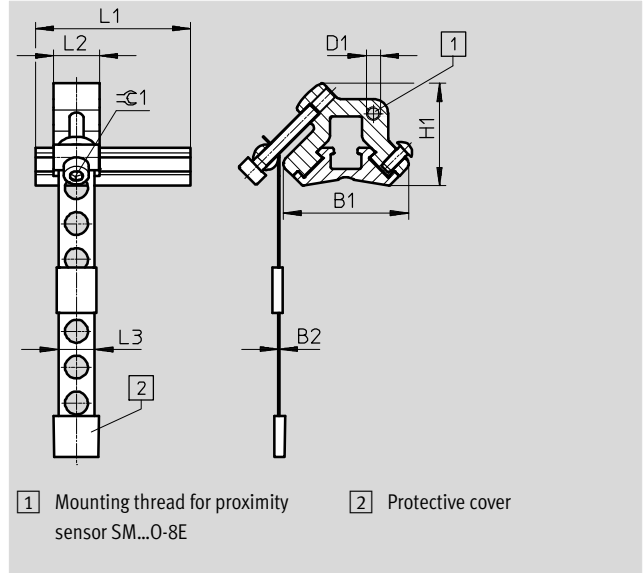


# Proximity sensors SMT/SME-8, for T-slot

Accessories

## Mounting kit SMBR-8-8/100-S6

Material:  
 Rail: Anodised wrought aluminium alloy  
 Clamping strap, screws: High-alloy stainless steel  
 Free of copper and PTFE  
 RoHS-compliant



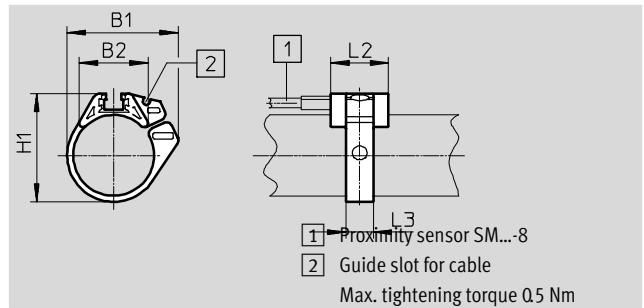
### Dimensions and ordering data

For piston ∅	B1	B2	D1	H1	L1	L2	L3	⌀ 1	CRC <sup>1)</sup>	Part No.	Type
8 ... 100	27.4	0.2	M3	22.4	34	10	7.9	2.5	4	★ 538937	SMBR-8-8/100-S6

1) Corrosion resistance class 4 to Festo standard 940 070  
 Components subject to high corrosion stress. Parts used with aggressive media, e.g. in the food or chemical industry. These applications should be supported with special tests with the media if required.

## Mounting kit SMBR

Material:  
 Polyacetal  
 RoHS-compliant



### Dimensions and ordering data

For piston ∅	B1	B2	H1	L2	L3	Part No.	Type
8	18.9	12.3	18.4	19	7	175091	SMBR-8-8
10	20.4	13.8	20.4	19	7	175092	SMBR-8-10
12	22.7	14.3	21.9	19	7	★ 175093	SMBR-8-12
16	28.2	16.9	25.7	19	8	★ 175094	SMBR-8-16
20	34.5	20.8	30.4	19	9	★ 175095	SMBR-8-20
25	36.7	22.7	35.6	19	9	★ 175096	SMBR-8-25
32	41.7	24.6	42.7	19	9	175097	SMBR-8-32
40	47.1	26.5	50.7	19	9	175098	SMBR-8-40
50	56.4	28.6	61.5	19	9	175099	SMBR-8-50
63	69.4	32	74.5	19	9	175100	SMBR-8-63

Festo core product range

- ★ Ready for dispatch from the Festo factory in 24 hours
- ☆ Ready for dispatch in 5 days maximum from stock

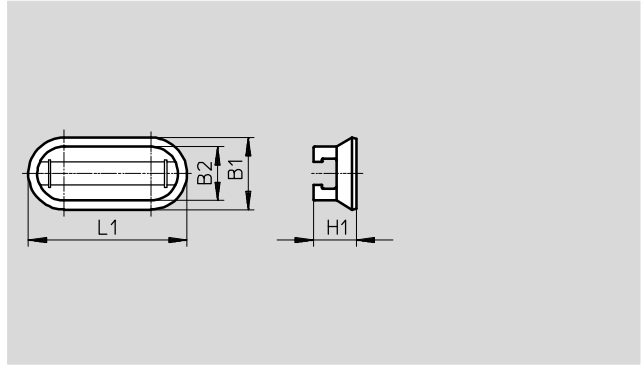
# Proximity sensors SMT/SME-8, for T-slot

Accessories

## Mounting kit CRSMB

Design: For round cylinders  
 Type of mounting: Bonded using enclosed adhesive tape

Degree of protection: IP65, IP68, IP69K  
 Ambient temperature: -40 ... +90 °C  
 Material:  
 Housing: Polyurethane  
 Rail: Hard anodised aluminium  
 Free of copper and PTFE

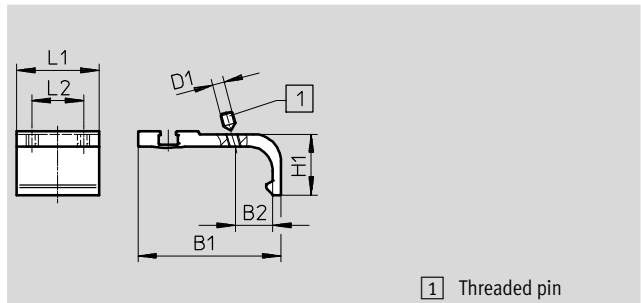
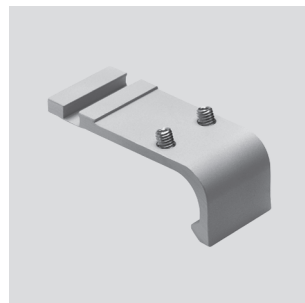


Ordering data							
For piston ∅	B1	B2	H1	L1	CRC <sup>1)</sup>	Part No.	Type
32 ... 100	15.8	11.8	9.3	35	4	525565	CRSMB-8-32/100

1) Corrosion resistance class 4 to Festo standard 940 070  
 Components subject to high corrosion stress. Parts used with aggressive media, e.g. in the food or chemical industry. These applications should be supported with special tests with the media if required.

## Mounting kit SMB-8-FENG

Material:  
 Wrought aluminium alloy  
 Free of copper and PTFE



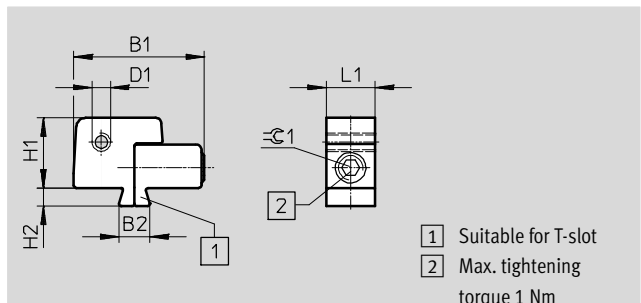
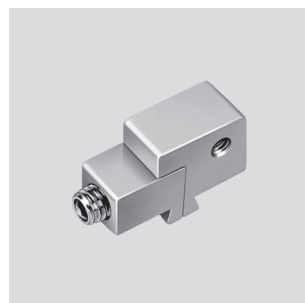
1 Threaded pin

Dimensions and ordering data									
For piston ∅	B1	B2	D1	H1	L1	L2	Tightening torque [Nm]	Part No.	Type
32/40	35.1	8.7	M3	15.5	27	17	0.2	175705	SMB-8-FENG-32/40
50/63	47	12.3	M4	20	27	17	0.5	175706	SMB-8-FENG-50/63
80/100	64.3	15.7	M5	24.3	27	17	0.7	175707	SMB-8-FENG-80/100

## Mounting kit SMB-8E

Material:  
 Anodised aluminium, stainless steel

Note on materials:  
 RoHS-compliant



1 Suitable for T-slot  
 2 Max. tightening torque 1 Nm

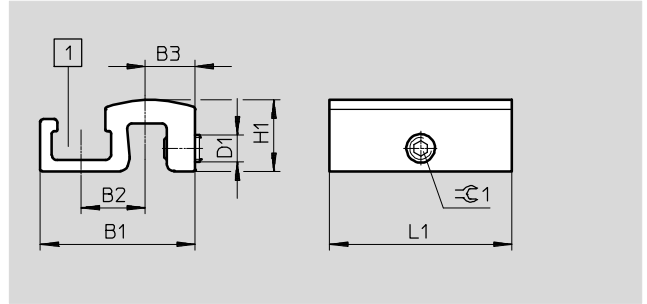
Ordering data									
For piston ∅	B1	B2	D1	H1	H2	L1	≈C1	Part No.	Type
10 ... 125	21.5	5.1	M3	11.5	3	8	2.5	178230	SMB-8E

# Proximity sensors SMT/SME-8, for T-slot

Accessories

## Mounting kit SMB-8-C

Temperature: -40 ... 120°C  
 Material:  
 Retainer: Anodised wrought aluminium alloy  
 Screws: High-alloy stainless steel  
 Free of copper and PTFE,  
 RoHS-compliant



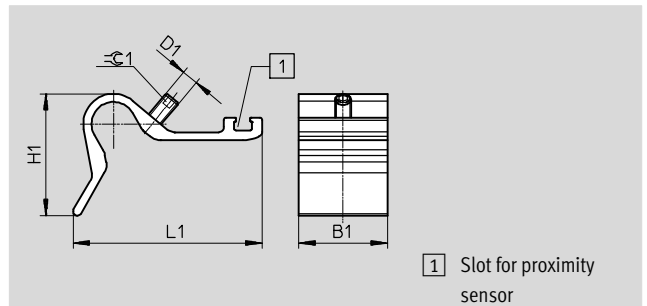
### Dimensions and ordering data

Type	B1	B2	B3	D1	H1	L1	≈C 1	Tightening torque [Nm]	CRC <sup>1)</sup>	Weight [g]	Part No.	Type
SMB-8-C	17	7	5.5	M3	7.8	20	1.5	0.2 ... 0.6	3	3.5	1806790	SMB-8-C

1) Corrosion resistance class 3 according to Festo standard 940 070  
 Components subject to high corrosion stress. Externally visible parts with primarily functional surface requirements which are in direct contact with a normal industrial environment or media such as solvents and cleaning agents.

## Sensor bracket DASP-M4-...-A

Material:  
 Anodised wrought aluminium alloy  
 Screws: High-alloy stainless steel  
 RoHS-compliant



1 Slot for proximity sensor

### Dimensions and ordering data

Type	B1	D1	H1	L1	≈C 1	Tightening torque [Nm]	CRC <sup>1)</sup>	Weight [g]	Part No.	Type
DASP-M4-125-A	32.5	M5	28	45.4	2.5	1	3	26.5	1451483	DASP-M4-125-A
DASP-M4-160-A	32.5	M6	44.7	69.4	3	1	3	41.5	1553813	DASP-M4-160-A
DASP-M4-250-A	32.5	M6	56.3	88	3	1	3	60	1456781	DASP-M4-250-A
DASP-M4-320-A	32.5	M6	56.3	88	3	1	3	60	3015256	DASP-M4-320-A

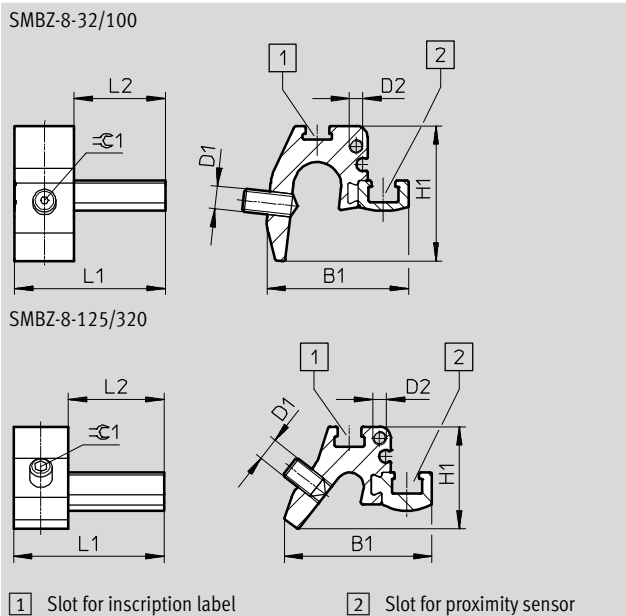
1) Corrosion resistance class 3 according to Festo standard 940 070  
 Components subject to high corrosion stress. Externally visible parts with primarily functional surface requirements which are in direct contact with a normal industrial environment or media such as solvents and cleaning agents.

# Proximity sensors SMT/SME-8, for T-slot

Accessories

## Mounting SMBZ-8-...

Material:  
 Rail: Anodised wrought aluminium alloy  
 Screws: high-alloy stainless steel  
 Free of copper and PTFE  
 RoHS-compliant



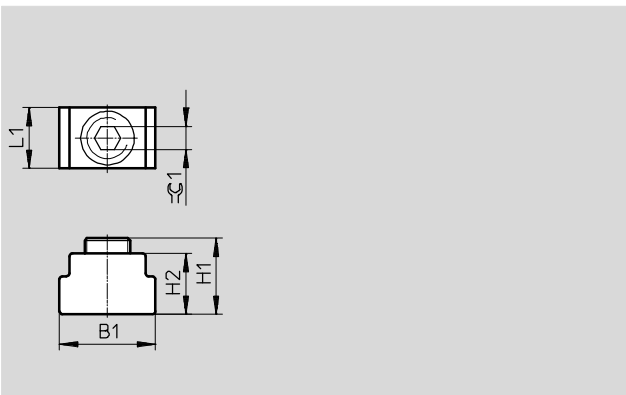
Dimensions and ordering data									
For piston $\varnothing$	B1	D1	D2	H1	L1	L2	$\approx C1$	Part No.	Type
32 ... 100	31	M5	M3	30	33	20	1.5	537806	SMBZ-8-32/100
125 ... 320	32.3			22					

## Position marker SMM

Insertable in the slot lengthwise

Ambient temperature  $-40 \dots +120 \text{ }^\circ\text{C}$

Material:  
 Housing: anodised wrought aluminium alloy  
 Screws: High-alloy stainless steel  
 Note on materials: RoHS-compliant








Dimensions and ordering data									
B1	H1	H2	L1	$\approx C1$	CRC <sup>1)</sup>	Part No.	Type	PU <sup>2)</sup>	
6.3	5.0	4.0	4.0	1.5	3	547941	SMM-8	10	


1) Corrosion resistance class 3 according to Festo standard 940 070  
 Components subject to high corrosion stress. Externally visible parts with primarily functional surface requirements which are in direct contact with a normal industrial environment or media such as solvents and cleaning agents.  
 2) Packaging unit

# Proximity sensors SMT/SME-8, for T-slot

Accessories

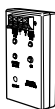
FESTO

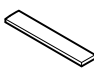
Ordering data – Connecting cables				Technical data → Internet: nebu, sim	
		Number of wires	Cable length [m]	Part No.	Type
<b>Socket M8x1, 3-pin</b>					
	For SMT/SME-8... and SMT0/SMTSO/SME0-8E	3	2.5	★ 541333	NEBU-M8G3-K-2.5-LE3
			5	★ 541334	NEBU-M8G3-K-5-LE3
	For SMT/SME-8... and SMT0/SMTSO/SME0-8E	3	2.5	★ 541338	NEBU-M8W3-K-2.5-LE3
			5	★ 541341	NEBU-M8W3-K-5-LE3
<b>Socket M12x1, 5-pin</b>					
	For SMT/SME-8M and SMT0/SMTSO/SME0-8E	3	2.5	★ 541363	NEBU-M12G5-K-2.5-LE3
			5	★ 541364	NEBU-M12G5-K-5-LE3
	For SMT/SME-8M and SMT0/SMTSO/SME0-8E	3	2.5	541367	NEBU-M12W5-K-2.5-LE3
			5	541370	NEBU-M12W5-K-5-LE3
<b>Socket M12x1, resistant to welding spatter</b>					
	For SDBT and SMTSO	3	3	30450	SIM-M12-RS-3GD-3

Ordering data – Safety clips for ATEX zone					
	Size	Description	Part No.	Type	PU <sup>1)</sup>
	M8	<ul style="list-style-type: none"> <li>Protects "equipment that is not intrinsically safe" in zones 2 and 22 against simple disconnection</li> <li>ATEX category: gas: II 3G / dust: II 3D</li> </ul>	548067	NEAU-M8-GD	1
	M12		548068	NEAU-M12-GD	1

1) Packaging unit

Ordering data – Mounting components			
	Description	Part No.	Type
	For locating connecting cables	534254	SMBK-8

Ordering data – Sensor tester			
	Description	Part No.	Type
	<ul style="list-style-type: none"> <li>Testing operation of proximity sensors using the integrated voltage supply</li> <li>Adjustment of proximity sensors on the cylinder</li> </ul>	158481	SM-TEST-1

Ordering data – Inscription labels				
	Size	Part No.	Type	PU <sup>1)</sup>
	23x4 mm	541598	ASLR-L-423	34

1) Packaging unit

Festo core product range

- ★ Ready for dispatch from the Festo factory in 24 hours
- ☆ Ready for dispatch in 5 days maximum from stock

# Festo - Your Partner in Automation



**1 Festo Inc.**  
5300 Explorer Drive  
Mississauga, ON L4W 5G4  
Canada

**Festo Customer Interaction Center**  
Tel: 1 877 463 3786  
Fax: 1 877 393 3786  
Email: [customer.service.ca@festo.com](mailto:customer.service.ca@festo.com)



**2 Festo Pneumatic**  
Av. Ceylán 3,  
Col. Tequesquináhuac  
54020 Tlalneantla,  
Estado de México

**Multinational Contact Center**  
01 800 337 8669  
[ventas.mexico@festo.com](mailto:ventas.mexico@festo.com)



**3 Festo Corporation**  
1377 Motor Parkway  
Suite 310  
Islandia, NY 11749

**Festo Customer Interaction Center**  
1 800 993 3786  
1 800 963 3786  
[customer.service.us@festo.com](mailto:customer.service.us@festo.com)



**4 Regional Service Center**  
7777 Columbia Road  
Mason, OH 45040

Connect with us



[www.festo.com/socialmedia](http://www.festo.com/socialmedia)



[www.festo.com](http://www.festo.com)

Subject to change