

# E11504

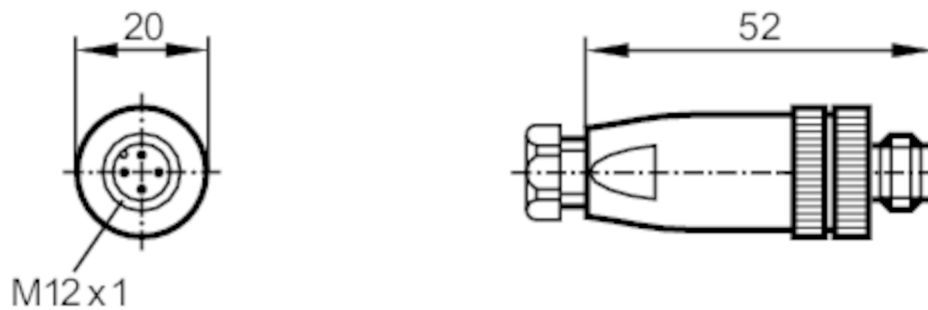


## Wirable plug

SSTGH040MSSFKPG

Discontinued article

Alternative article: EVC812 When selecting an alternative article and accessories please note that technical data may differ! –  
When selecting an alternative article and accessories please note that technical data may differ! – Discontinuation date: 31.03.2021



### Application

System	Free from silicone; gold-plated contacts
Free from silicone	yes

### Electrical data

Operating voltage [V]	< 45 AC / < 70 DC
Max. current load total [A]	4; (...40 °C)

### Operating conditions

Ambient temperature [°C]	-25...85
Protection	IP 68

### Mechanical data

Weight [g]	24.8
Dimensions [mm]	20 x 20 x 52
Material	PA
Material nut	brass, nickel-plated

### Remarks

Pack quantity	1 pcs.
---------------	--------

# E11504



## Wirable plug

SSTGH040MSSFKPG

### Electrical connection

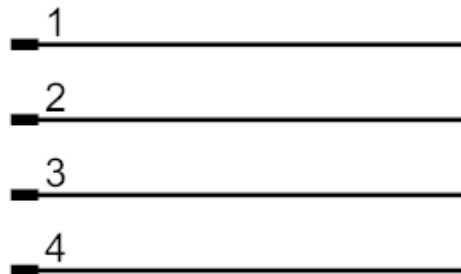
screw terminals: ...0.75 mm<sup>2</sup>; Cable sheath: Ø 4...6 mm

### Electrical connection - plug

Connector: 1 x M12, straight; Moulded body: PA; Locking: brass, nickel-plated; Contacts: gold-plated



### Connection



Discontinued article

Alternative article: EVC812 When selecting an alternative article and accessories please note that technical data may differ! –  
When selecting an alternative article and accessories please note that technical data may differ! – Discontinuation date: 31.03.2021