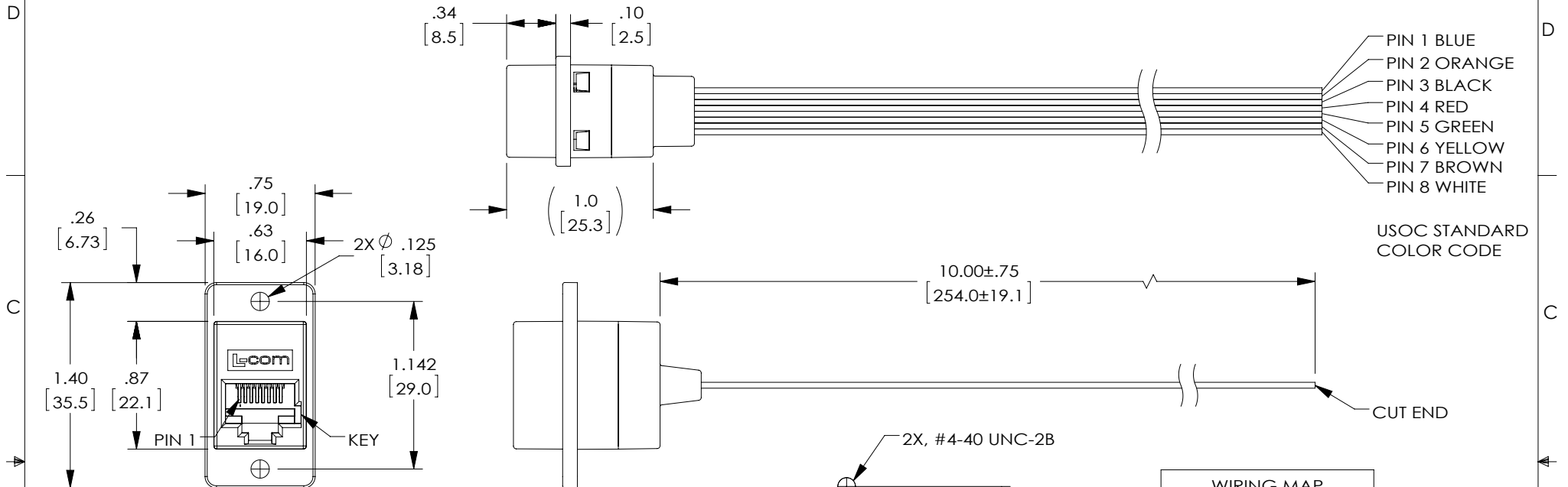


THE INFORMATION CONTAINED IN THIS DRAWING IS THE SOLE PROPERTY OF L-COM, INC. ANY REPRODUCTION IN PART OR WHOLE WITHOUT THE WRITTEN PERMISSION OF L-COM, INC. IS PROHIBITED.

REVISIONS			
REV	DESCRIPTION	DATE	APPROVED
A	CN INITIAL RELEASE	10/27/17	D.CUI



WIRING MAP	
"J1"	WIRE COLOR
1	BLUE
2	ORANGE
3	BLACK
4	RED
5	GREEN
6	YELLOW
7	BROWN
8	WHITE

**NOTES:**

**MATERIAL:**  
 HOUSING:ABS,UL94V-0,COLOR:IVORY  
 CONTACTS:PHOSPHOR BRONZE  
 CONTACT PLATING:GOLD,30 μ INCHES OVER NICKEL PLATING.

**ELECTRICAL:**  
 CURRENT RATING:2 AMPS (MAX.)  
 VOLTAGE RATING:140 VDC

**MISCELLANEOUS:**  
 ALL DIMENSIONS SHOWN ARE FOR REFERENCE ONLY.  
 OPERATING TEMPERATURE RANGE:-10 °C TO +70 °C.  
 RATING APPLICATION: CATEGORY 3  
 WIRE LEADS: 26 AWG STRANDED COPPER, PVC JACKET

COMPONENT SHALL BE INDIVIDUALLY PACKAGED IN ACCORDANCE WITH L-COM SPECIFICATION PS-0031.

**REGULATORY COMPLIANCE:**  
 CE2011/65/EU (RoHS DIRECTIVE)

UNLESS OTHERWISE SPECIFIED, DIMENSIONS ARE IN INCHES [mm] OVERALL CABLE LENGTH TOLERANCE: ≤12 [305] = +1 [25] / -0 >12 [305] ≤60 [1524] = +2 [51] / -0 >60 [1524] ≤120 [3048] = +4 [102] / -0 >120 [3048] ≤300 [7620] = +6 [152] / -0 >300 [7620] = +3% / -0% ALL OTHER DIMENSIONAL TOLERANCES: .X = ± .2 [5.08] .XX = ± .02 [5.1] .XXX = ± .005 [1.3]	APPROVALS DRAWN BY D.CUI	DATE 07/04/17	50 HIGH STREET NORTH ANDOVER, MA 01845	
	CHECKED BY S.PAN	DATE 07/04/17		CATEGORY TELECOM/MODULAR
	APPROVED BY D.GUITADAURO	DATE 07/04/17	PRODUCT DESCRIPTION JK PNL MNT 8X8K W/10" WIRE LDS	
	PROJECTION 	CONFIGURATION DETAILS OF UNDIMENSIONED FEATURES MAY VARY	COLOR VARIATIONS MAY OCCUR	SCALE: NONE CAD FILE: ECJ5048-L.SLDDRW SHEET 1 OF 1

SIZE <b>A</b>	FSCM NO. <b>43321</b>	DWG. NO. <b>ECJ5048-L</b>	REV. <b>A</b>
------------------	--------------------------	------------------------------	------------------