

SETRON, Switch disconnecter 3LD, emergency switching-off switch, 3- pole, I<sub>u</sub>=250 A, operating power / at AC-23 A 400 V: 132 kW, front-mounted, knob-operated mechanism, red/yellow, 4-hole mounting of the handle



Model	
Product brand name	SETRON
Product designation	3LD Switch disconnecter
Design of the product	EMERGENCY-STOP switch
Display version / for switch position indicator manual operation	1 ON - 0 OFF
Design of the operating mechanism	selector switch
Design of handle	knob-operated mechanism, red/yellow
Type of the driving mechanism / motor drive	No

General technical data	
Number of poles	3
Type of device	fixed mounting
Type of switch	front mounted
Size of switch disconnecter	5
Electrical endurance (switching cycles)	
• at AC-23 A / at 690 V	6 000
I <sub>2t</sub> value / with closed switch / at 690 V / for combination switch + gG fuse / maximum	557 kA <sup>2</sup> .s

Let-through I <sub>2t</sub> value / with closed switch / at 440 V / for combination switch + gG fuse / maximum	557 kA <sup>2</sup> .s
Mechanical service life (switching cycles) / typical	100 000
Operating frequency / maximum	50 1/h

### Voltage

Insulation voltage / rated value	690 V
Surge voltage resistance / rated value	8 kV
Operating current / at AC / rated value	250 A
Operating voltage <ul style="list-style-type: none"> <li>• at AC / at 50/60 Hz / rated value</li> </ul>	690 V

### Protection class

Protection class IP	IP65
Degree of protection NEMA rating	1, 3R, 4X, 12
Protection class IP / on the front	IP65

### Dissipation

Power loss [W] <ul style="list-style-type: none"> <li>• for rated value of the current / at AC / in hot operating state / per pole</li> <li>• per conductor / typical</li> </ul>	36 W 36 W
--	--------------

### Current

Operating current <ul style="list-style-type: none"> <li>• at AC-23 A / at 690 V / rated value</li> <li>• at AC-23 A / at 400 V / rated value</li> <li>• at AC-22 A / at 690 V / rated value</li> <li>• at AC-21 / at 690 V / rated value</li> <li>• at AC-21 A / at 240 V / rated value</li> <li>• at AC-21 A / at 440 V / rated value</li> <li>• at AC-22 A / at 240 V / rated value</li> <li>• at AC-22 A / at 440 V / rated value</li> <li>• at AC-23 A / at 240 V / rated value</li> <li>• at AC-23 A / at 440 V / rated value</li> </ul>	58 A 224 A 230 A 250 A 250 A 250 A 230 A 230 A 230 A 224 A
Operating current / of upstream fuse / rated value	250 A
Let-through current / with closed switch <ul style="list-style-type: none"> <li>• at 440 V / for combination switch + gG fuse / maximum</li> <li>• at 690 V / for combination switch + gG fuse / maximum permissible</li> </ul>	15 kA 15 kA
Short-time withstand current (I <sub>cw</sub> ) <ul style="list-style-type: none"> <li>• limited to 1 s / rated value</li> <li>• at 690 V / limited to 1 s / rated value</li> </ul>	4 000 A 4 000 A

### Main circuit

Operating frequency	
<ul style="list-style-type: none"> <li>• initial value</li> <li>• Full-scale value</li> </ul>	50 Hz 60 Hz
Operating power	
<ul style="list-style-type: none"> <li>• at AC-23 A / at 240 V / rated value</li> <li>• at AC-23 A / at 400 V / at 50/60 Hz / rated value</li> <li>• at AC-23 A / at 400 V / rated value</li> <li>• at AC-23 A / at 440 V / rated value</li> <li>• at AC-23 A / at 690 V / rated value</li> <li>• at AC-3 / at 240 V / rated value</li> <li>• at AC-3 / at 400 V / rated value</li> <li>• at AC-3 / at 690 V / rated value</li> </ul>	75 kW 132 kW 132 kW 132 kW 55 kW 55 kW 110 kW 45 kW
Operating current / rated value	250 A

### Auxiliary circuit

Number of CO contacts / for auxiliary contacts	0
Number of NC contacts / for auxiliary contacts	0
Number of NO contacts / for auxiliary contacts	0
Operating voltage / of auxiliary contacts / at AC / maximum	500 V
Continuous current / of the auxiliary contact / rated value	10 A
Insulation voltage / of the auxiliary switch / rated value	500 V

### Suitability

Suitability for use	
<ul style="list-style-type: none"> <li>• Main switch</li> <li>• switch disconnecter</li> <li>• EMERGENCY OFF switch</li> <li>• safety switch</li> <li>• maintenance/repair switch</li> </ul>	Yes Yes Yes Yes Yes

### Appearance

Color / of the actuating element	red
----------------------------------	-----

### Product details

<ul style="list-style-type: none"> <li>• Product function / can be locked into OFF position</li> </ul>	Yes
Number of bracket locks / maximum	3
Hasp thickness / of the bracket locks / minimum	4 mm
Hasp thickness / of the bracket locks / maximum	6 mm
Product extension / optional	
<ul style="list-style-type: none"> <li>• motor drive</li> <li>• Voltage trigger</li> </ul>	No No

## Short circuit

Conditional short-circuit current / with line-side fuse protection	
<ul style="list-style-type: none"> <li>at 690 V / by gG fuse / rated value</li> </ul>	50 kA

## according UL

Operating current / at AC / acc. to UL 508 / rated value	250 A
Operating voltage / at AC / at 50/60 Hz / acc. to UL 508 / rated value	600 V
Active power [hp] / at AC / at 480 V / acc. to UL 508 / rated value	100
Active power [hp] / at AC / at 600 V / acc. to UL 508 / rated value	75
Short-time withstand current (SCCR) / at 600 V / acc. to UL 508	10 kA
Continuous current / of upstream fuse / according to UL / rated value	200 A
Type of fuse / according to UL	RK5
Number of connectable NC contacts / for auxiliary contacts / attachable / maximum	3
Number of connectable NO contacts / for auxiliary contacts / attachable / maximum	3
Number of connectable CO contacts / for auxiliary contacts / attachable / maximum	0

## Connections

AWG number / as coded connectable conductor cross section / solid	
<ul style="list-style-type: none"> <li>minimum</li> <li>maximum</li> </ul>	1 4/0
Type of connectable conductor cross-sections / for copper conductor	
<ul style="list-style-type: none"> <li>solid</li> <li>finely stranded / with core end processing</li> <li>stranded</li> </ul>	1x (16 ... 185mm <sup>2</sup> ) 1x (16...150mm <sup>2</sup> ) 1x (16...185mm <sup>2</sup> )
Type of connectable conductor cross-sections / for auxiliary contacts	
<ul style="list-style-type: none"> <li>solid</li> <li>finely stranded / with core end processing</li> <li>stranded</li> </ul>	lateral auxiliary switch 2x (0,75 ... 2,5mm <sup>2</sup> ), 1x 4mm <sup>2</sup> ; front auxiliary switch 1x (0,75 ... 2,5mm <sup>2</sup> ) lateral auxiliary switch 2x (0,75 ... 1,5mm <sup>2</sup> ), 1x 2,5mm <sup>2</sup> ; front auxiliary switch 1x 2,5mm <sup>2</sup> lateral auxiliary switch 2x (0,75 ... 2,5mm <sup>2</sup> ), 1x 4mm <sup>2</sup> ; front auxiliary switch 1x (0,75 ... 2,5mm <sup>2</sup> )
Type of electrical connection	
<ul style="list-style-type: none"> <li>for main current circuit</li> </ul>	box terminal

- for auxiliary contacts

connection terminals

## Requirements

### Design of the fuse link

- for short-circuit protection of the main circuit / required
- for short-circuit protection of the auxiliary switch / required

fuse gL/gG: 250 A

fuse gL/gG: 10 A

## Mechanical Design

### Height

169 mm

### Width

112 mm

### Depth

94 mm

### Mounting type

Built-in unit fixed-mounted version

### Mounting type

- front mounting with 4-hole attachment
- front mounting with central attachment
- rail mounting

Yes

No

No

### Net weight

2 093 g

## Environmental conditions

### Ambient temperature / during operation

- minimum
- maximum

-25 °C

55 °C

### Ambient temperature / during storage / minimum

-25 °C

## Certificates

### Reference code

- acc. to DIN EN 61346-2
- acc. to DIN EN 81346-2

S

SF

### General Product Approval

### Declaration of Conformity

### Test Certificates



CCC



CSA



UL



EG-Konf.

[Type Test Certificates/Test Report](#)

[Special Test Certificate](#)

### other

[Environmental Confirmations](#)

## Further information

**Information- and Downloadcenter (Catalogs, Brochures,...)**

<http://www.siemens.com/lowvoltage/catalogs>

**Industry Mall (Online ordering system)**

<https://mall.industry.siemens.com/mall/en/en/Catalog/product?mlfb=3LD2405-0TK13>

**Service&Support (Manuals, Certificates, Characteristics, FAQs,...)**

<https://support.industry.siemens.com/cs/ww/en/ps/3LD2405-0TK13>

**Image database (product images, 2D dimension drawings, 3D models, device circuit diagrams, ...)**

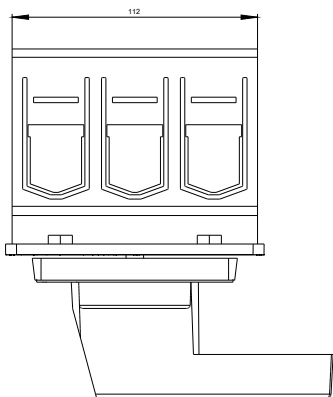
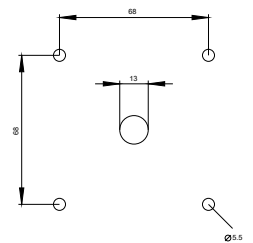
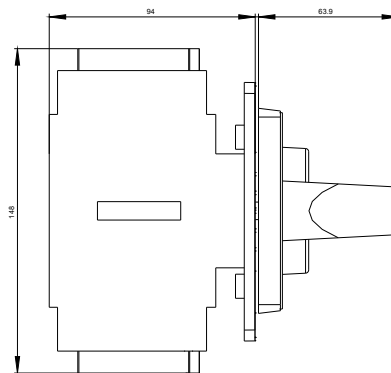
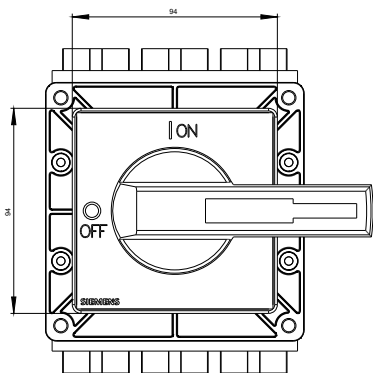
[http://www.automation.siemens.com/bilddb/cax\\_en.aspx?mlfb=3LD2405-0TK13](http://www.automation.siemens.com/bilddb/cax_en.aspx?mlfb=3LD2405-0TK13)

**CAX-Online-Generator**

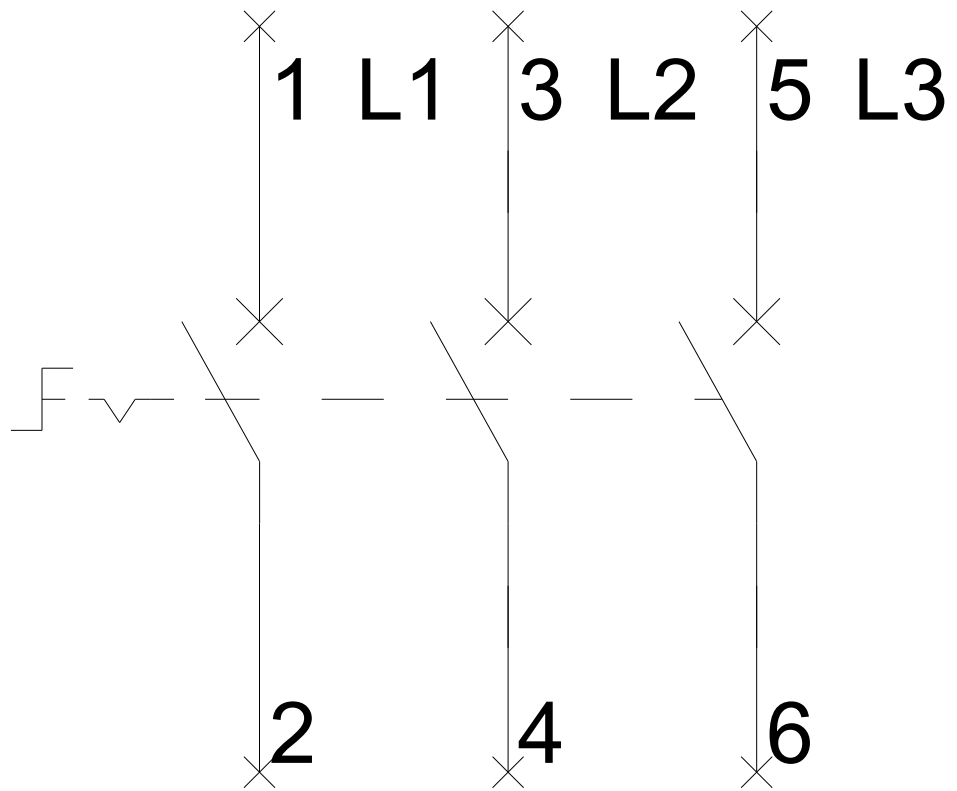
<http://www.siemens.com/cax>

**Tender specifications**

<http://www.siemens.com/specifications>



**-Q1**



# -CI

