

SENTRON, Switch disconnecter 3LD, main switch, 3-pole,  $I_n=250$  A, Operating power / at AC-23 A at 400 V: 132 kW, front-mounted, knob-operated mechanism, black, 4-hole mounting of the handle



Model	
Product brand name	SENTRON
Product designation	3LD Switch disconnecter
Design of the product	Main switch
Display version / for switch position indicator manual operation	1 ON - 0 OFF
Design of the operating mechanism	selector switch
Design of handle	knob-operated mechanism, black
Type of the driving mechanism / motor drive	No
General technical data	
Number of poles	3
Type of device	fixed mounting
Type of switch	front mounted
Size of switch disconnecter	5
Electrical endurance (switching cycles)	
• at AC-23 A / at 690 V	6 000
I <sup>2</sup> t value / with closed switch / at 690 V / for combination switch + gG fuse / maximum	557 kA <sup>2</sup> .s

Let-through I2t value / with closed switch / at 440 V / for combination switch + gG fuse / maximum	557 kA2.s
Mechanical service life (switching cycles) / typical	100 000
Operating frequency / maximum	50 1/h

### Voltage

Insulation voltage / rated value	690 V
Surge voltage resistance / rated value	8 kV
Operating current / at AC / rated value	250 A
Operating voltage <ul style="list-style-type: none"> <li>• at AC / at 50/60 Hz / rated value</li> </ul>	690 V

### Protection class

Protection class IP	IP65
Degree of protection NEMA rating	1, 3R, 4X, 12
Protection class IP / on the front	IP65

### Dissipation

Power loss [W] <ul style="list-style-type: none"> <li>• for rated value of the current / at AC / in hot operating state / per pole</li> <li>• per conductor / typical</li> </ul>	36 W 36 W
--	--------------

### Current

Operating current <ul style="list-style-type: none"> <li>• at AC-23 A / at 690 V / rated value</li> <li>• at AC-23 A / at 400 V / rated value</li> <li>• at AC-22 A / at 690 V / rated value</li> <li>• at AC-21 / at 690 V / rated value</li> <li>• at AC-21 A / at 240 V / rated value</li> <li>• at AC-21 A / at 440 V / rated value</li> <li>• at AC-22 A / at 240 V / rated value</li> <li>• at AC-22 A / at 440 V / rated value</li> <li>• at AC-23 A / at 240 V / rated value</li> <li>• at AC-23 A / at 440 V / rated value</li> </ul>	58 A 224 A 230 A 250 A 250 A 250 A 230 A 230 A 230 A 224 A
Operating current / of upstream fuse / rated value	250 A
Let-through current / with closed switch <ul style="list-style-type: none"> <li>• at 440 V / for combination switch + gG fuse / maximum</li> <li>• at 690 V / for combination switch + gG fuse / maximum permissible</li> </ul>	15 kA 15 kA
Short-time withstand current (Icw) <ul style="list-style-type: none"> <li>• limited to 1 s / rated value</li> <li>• at 690 V / limited to 1 s / rated value</li> </ul>	4 000 A 4 000 A

### Main circuit

Operating frequency	
<ul style="list-style-type: none"> <li>• initial value</li> <li>• Full-scale value</li> </ul>	<p>50 Hz</p> <p>60 Hz</p>
Operating power	
<ul style="list-style-type: none"> <li>• at AC-23 A / at 240 V / rated value</li> <li>• at AC-23 A / at 400 V / at 50/60 Hz / rated value</li> <li>• at AC-23 A / at 400 V / rated value</li> <li>• at AC-23 A / at 440 V / rated value</li> <li>• at AC-23 A / at 690 V / rated value</li> <li>• at AC-3 / at 240 V / rated value</li> <li>• at AC-3 / at 400 V / rated value</li> <li>• at AC-3 / at 690 V / rated value</li> </ul>	<p>75 kW</p> <p>132 kW</p> <p>132 kW</p> <p>132 kW</p> <p>55 kW</p> <p>55 kW</p> <p>110 kW</p> <p>45 kW</p>
Operating current / rated value	250 A

### Auxiliary circuit

Number of CO contacts / for auxiliary contacts	0
Number of NC contacts / for auxiliary contacts	0
Number of NO contacts / for auxiliary contacts	0
Operating voltage / of auxiliary contacts / at AC / maximum	500 V
Continuous current / of the auxiliary contact / rated value	10 A
Insulation voltage / of the auxiliary switch / rated value	500 V

### Suitability

Suitability for use	
<ul style="list-style-type: none"> <li>• Main switch</li> <li>• switch disconnecter</li> <li>• EMERGENCY OFF switch</li> <li>• safety switch</li> <li>• maintenance/repair switch</li> </ul>	<p>Yes</p> <p>Yes</p> <p>No</p> <p>Yes</p> <p>Yes</p>

### Appearance

Color / of the actuating element	black
----------------------------------	-------

### Product details

<ul style="list-style-type: none"> <li>• Product function / can be locked into OFF position</li> </ul>	Yes
Number of bracket locks / maximum	3
Hasp thickness / of the bracket locks / minimum	4 mm
Hasp thickness / of the bracket locks / maximum	6 mm
Product extension / optional	
<ul style="list-style-type: none"> <li>• motor drive</li> <li>• Voltage trigger</li> </ul>	<p>No</p> <p>No</p>

## Short circuit

Conditional short-circuit current / with line-side fuse protection

- at 690 V / by gG fuse / rated value

50 kA

## according UL

Operating current / at AC / acc. to UL 508 / rated value

250 A

Operating voltage / at AC / at 50/60 Hz / acc. to UL 508 / rated value

600 V

Active power [hp] / at AC / at 480 V / acc. to UL 508 / rated value

100

Active power [hp] / at AC / at 600 V / acc. to UL 508 / rated value

75

Short-time withstand current (SCCR) / at 600 V / acc. to UL 508

10 kA

Continuous current / of upstream fuse / according to UL / rated value

200 A

Type of fuse / according to UL

RK5

Number of connectable NC contacts / for auxiliary contacts / attachable / maximum

3

Number of connectable NO contacts / for auxiliary contacts / attachable / maximum

3

Number of connectable CO contacts / for auxiliary contacts / attachable / maximum

0

## Connections

AWG number / as coded connectable conductor cross section / solid

- minimum
- maximum

1

4/0

Type of connectable conductor cross-sections / for copper conductor

- solid
- finely stranded / with core end processing
- stranded

1x (16 ... 185mm<sup>2</sup>)

1x (16...150mm<sup>2</sup>)

1x (16...185mm<sup>2</sup>)

Type of connectable conductor cross-sections / for auxiliary contacts

- solid
- finely stranded / with core end processing
- stranded

lateral auxiliary switch 2x (0,75 ... 2,5mm<sup>2</sup>), 1x 4mm<sup>2</sup>; front auxiliary switch 1x (0,75 ... 2,5mm<sup>2</sup>)

lateral auxiliary switch 2x (0,75 ... 1,5mm<sup>2</sup>), 1x 2,5mm<sup>2</sup>; front auxiliary switch 1x 2,5mm<sup>2</sup>

lateral auxiliary switch 2x (0,75 ... 2,5mm<sup>2</sup>), 1x 4mm<sup>2</sup>; front auxiliary switch 1x (0,75 ... 2,5mm<sup>2</sup>)

Type of electrical connection

- for main current circuit

box terminal

- for auxiliary contacts

connection terminals

## Requirements

### Design of the fuse link

- for short-circuit protection of the main circuit / required
- for short-circuit protection of the auxiliary switch / required

fuse gL/gG: 250 A

fuse gL/gG: 10 A

## Mechanical Design

Height	169 mm
Width	112 mm
Depth	94 mm
Mounting type	Built-in unit fixed-mounted version
Mounting type	Yes
<ul style="list-style-type: none"> <li>• front mounting with 4-hole attachment</li> </ul>	No
<ul style="list-style-type: none"> <li>• front mounting with central attachment</li> </ul>	No
<ul style="list-style-type: none"> <li>• rail mounting</li> </ul>	No
Net weight	2 092 g

## Environmental conditions

Ambient temperature / during operation	
<ul style="list-style-type: none"> <li>• minimum</li> </ul>	-25 °C
<ul style="list-style-type: none"> <li>• maximum</li> </ul>	55 °C
Ambient temperature / during storage / minimum	-25 °C

## Certificates

Reference code	
<ul style="list-style-type: none"> <li>• acc. to DIN EN 61346-2</li> </ul>	S
<ul style="list-style-type: none"> <li>• acc. to DIN EN 81346-2</li> </ul>	SF

### General Product Approval

### Declaration of Conformity

### Test Certificates



[Type Test Certificates/Test Report](#)

[Special Test Certificate](#)

### other

[Environmental Confirmations](#)

## Further information

**Information- and Downloadcenter (Catalogs, Brochures,...)**

<http://www.siemens.com/lowvoltage/catalogs>

**Industry Mall (Online ordering system)**

<https://mall.industry.siemens.com/mall/en/en/Catalog/product?mlfb=3LD2405-0TK11>

**Service&Support (Manuals, Certificates, Characteristics, FAQs,...)**

<https://support.industry.siemens.com/cs/ww/en/ps/3LD2405-0TK11>

**Image database (product images, 2D dimension drawings, 3D models, device circuit diagrams, ...)**

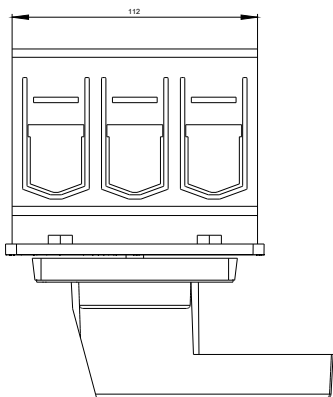
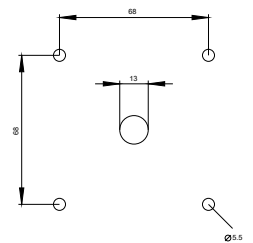
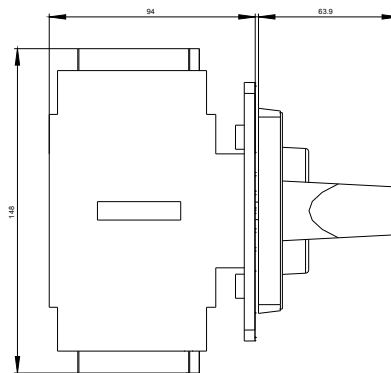
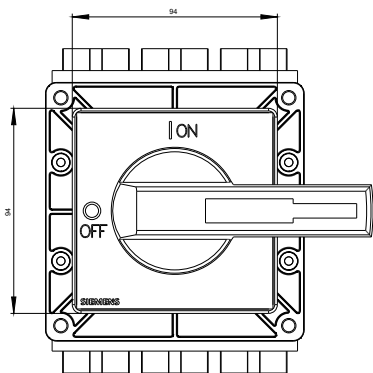
[http://www.automation.siemens.com/bilddb/cax\\_en.aspx?mlfb=3LD2405-0TK11](http://www.automation.siemens.com/bilddb/cax_en.aspx?mlfb=3LD2405-0TK11)

**CAX-Online-Generator**

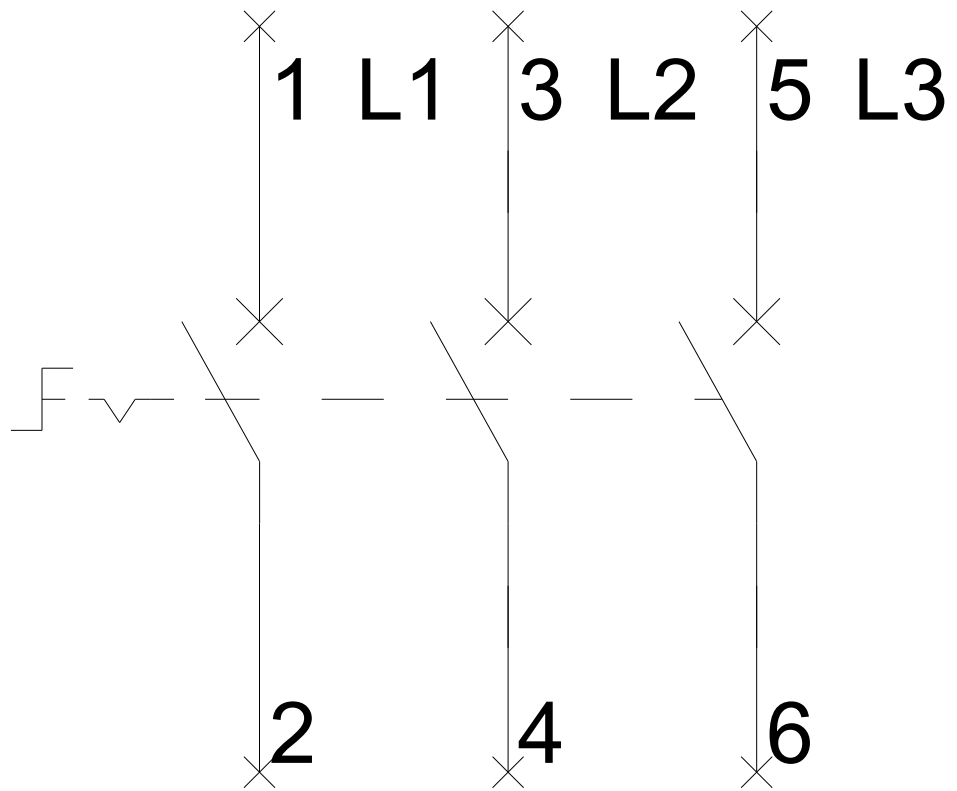
<http://www.siemens.com/cax>

**Tender specifications**

<http://www.siemens.com/specifications>



**-Q1**



# -CI

