

ANT-WDB-ANM-0306 Series

2.4/5 GHz, dual-band omni-directional antennas: 3/6 dBi, N-type (male)



Features and Benefits

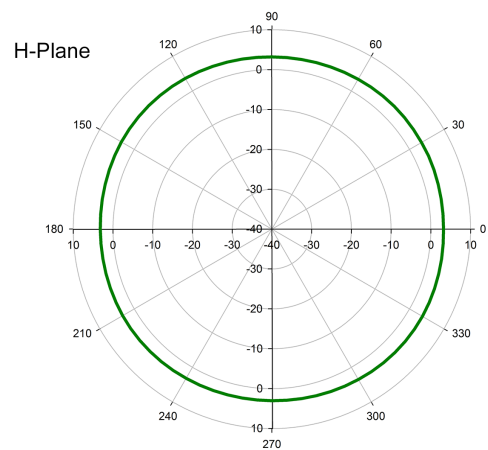
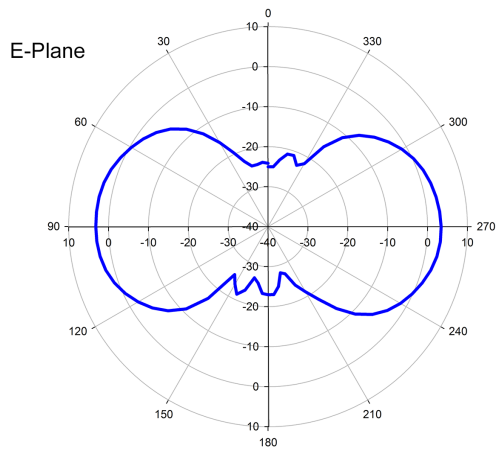
- Outdoor waterproof N-type connector
- Lightweight
- Compact form factor
- Housing provides IP67 protection
- -40 to 75°C operating temperature range

Introduction

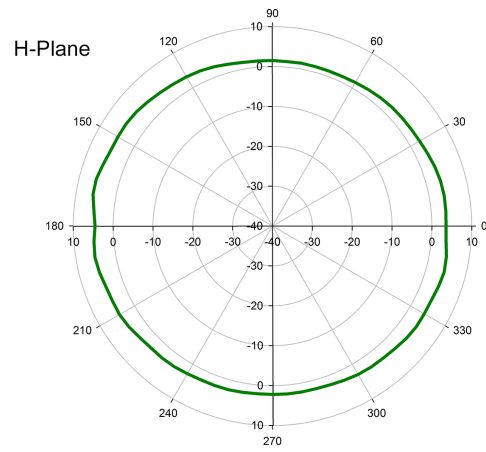
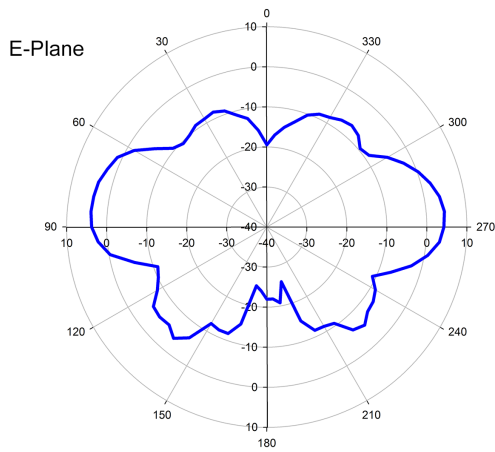
The ANT-WDB-ANM-0306 is an omni-directional lightweight compact dual-band high-gain antenna that comes with waterproof N-type connectors. The IP67-rated housing, pole-mounting support and a wide operating temperature range of -40 to 75°C make it suitable for outdoor use.

Field Patterns

Frequency: 2.4 GHz



Frequency: 5 GHz



Specifications

Antenna Characteristics

Frequency	2.4 to 2.5, 4.9 to 5.825 GHz
Antenna Type	Omni-directional
Typical Antenna Gain	3.5/6 dBi
Connector	N-type (male)
Impedance	50 ohms
Polarization	Linear
HPBW/Horizontal	360°
V.S.W.R.	2:1 max.
Power Handling	1 W max.

Physical Characteristics

IP Rating	IP67
Dimensions	Diameter: 22 mm (0.87 in) Length: 215 mm (8.46 in)
Weight	68.9 g (0.15 lb)
Radome Color	White
Radome Material	PC-9330
Installation	Straight mount

Environmental Limits

Operating Temperature	-40 to 75°C (-40 to 167°F)
Storage Temperature (package included)	-40 to 75°C (-40 to 167°F)
Ambient Relative Humidity	5 to 95% (30°C, non-condensing)

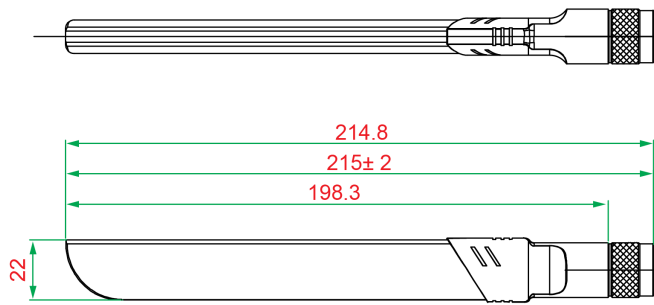
Warranty

Warranty Period	1 year
Details	See www.moxa.com/warranty

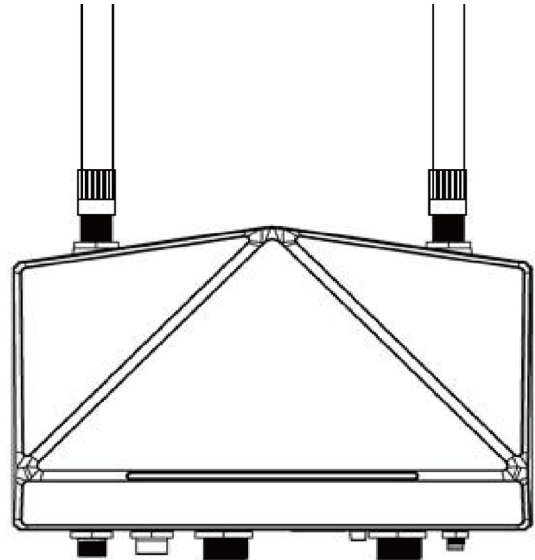
Dimensions and Mounting

Dimensions

Unit: mm



Mounting



Ordering Information

Model Name	Frequency	Antenna Type	Antenna Gain	Connector
ANT-WDB-ANM-0306	2.4 to 2.5, 4.9 to 5.825 GHz	Omni-directional	3.5/6 dBi	N-type (male)

© Moxa Inc. All rights reserved. Updated Nov 12, 2018.

This document and any portion thereof may not be reproduced or used in any manner whatsoever without the express written permission of Moxa Inc. Product specifications subject to change without notice. Visit our website for the most up-to-date product information.