

Contact-free safety switches RFID Rectangular 106 mm x 25 mm
 Individually coded Multiple teach-in capability with M12 connector 8-
 pole Actuator 3SE6310-0BC01 to be ordered separately.



Product brand name	SIRIUS
Product designation	RFID safety switch
Design of the product	Rectangular sensor unit
Product type designation	3SE63
Suitability for use safety-related circuits	Yes

General technical data	
Product function	
<ul style="list-style-type: none"> • positive opening • cross-circuit/short-circuit recognition 	<p>No</p> <p>Yes</p>
Product feature	individually coded, learnable multiple times, without magnet latching
Type of voltage of the operating voltage	DC
Protection class IP	IP65, IP67, IP69k
Shock resistance	
<ul style="list-style-type: none"> • acc. to IEC 60068-2-27 	Sinusoidal half-wave 30g / 11 ms
Vibration resistance	
<ul style="list-style-type: none"> • acc. to IEC 60068-2-6 	10 ... 55 Hz: 1 mm
Type of voltage	DC
Height of the sensor	22 mm

Length of the sensor	106 mm
Width of the sensor	25 mm
Material of the active sensor area	plastic
Mechanical installation condition for sensor	flush installation possible
Operating voltage rated value	24 V
Operating current rated value	600 mA
Design of the interface for safety-related communication	connector M12
Transmission frequency Rated value	125 kHz

Enclosure	
Material of the enclosure	plastic
Material of cable sheath	PVC

Actuator	
Design of the operating mechanism	RFID

Contact	
Switching frequency	1 Hz
Operating distance	12 mm
Safe operating distance OFF	16 mm
Safe operating distance ON	10 mm
Design of the switching function	positive switching
Number of switching contacts for signaling function	
• safety-related	1

Connections/ Terminals	
Type of electrical connection	M12 plug, 8-pole
Wire length maximum	30 m

Safety related data	
Safety Integrity Level (SIL) acc. to IEC 61508	3
Performance level (PL) acc. to EN ISO 13849-1	e
Category acc. to EN 954-1	4

Ambient conditions	
Ambient temperature	
• during operation	-25 ... +70 °C

Supply voltage	
Supply voltage	26.4 ... 20.4 V

Inputs/ Outputs	
Output current	0.5 A
Output current at safety-related output maximum	0.25 A





Display	
Evaluation version required	yes

Installation/ mounting/ dimensions

Mounting type

screw fixing

Certificates/ approvals

General Product Approval	EMC	Functional Safety/Safety of Machinery	Declaration of Conformity
 UL		 RCM	 EG-Konf.

[Type Examination Certificate](#)

[Miscellaneous](#)

other

[Confirmation](#)

Further information

Information- and Downloadcenter (Catalogs, Brochures,...)

<https://www.siemens.com/ic10>

Industry Mall (Online ordering system)

<https://mall.industry.siemens.com/mall/en/en/Catalog/product?mlfb=3SE6315-0BB02>

Cax online generator

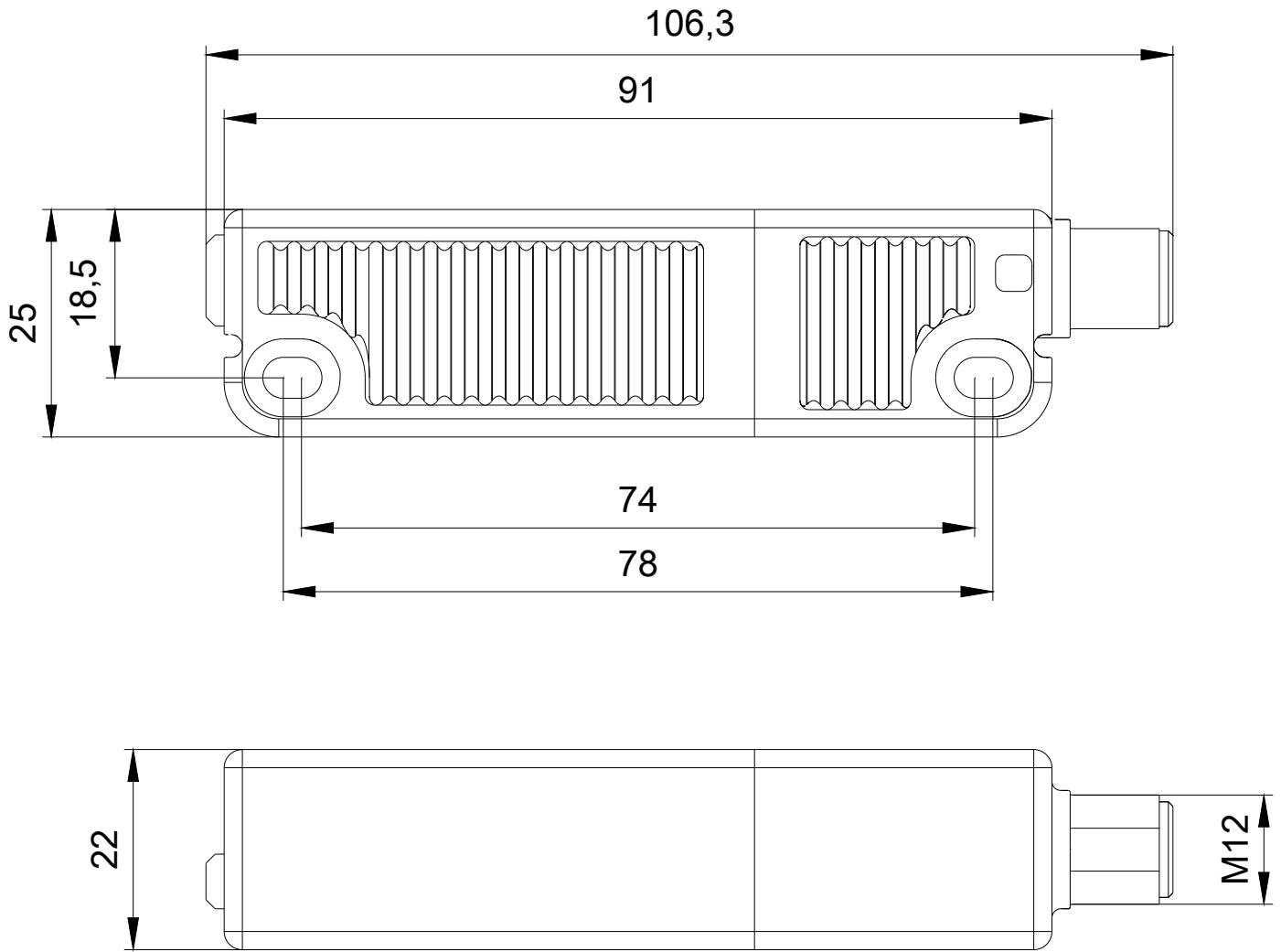
<http://support.automation.siemens.com/WW/CAXorder/default.aspx?lang=en&mlfb=3SE6315-0BB02>

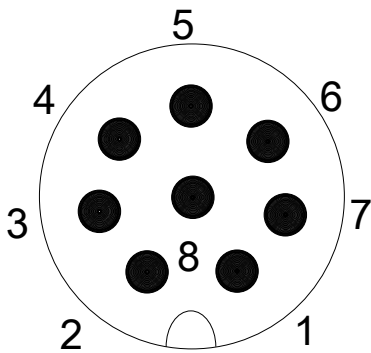
Service&Support (Manuals, Certificates, Characteristics, FAQs,...)

<https://support.industry.siemens.com/cs/ww/en/ps/3SE6315-0BB02>

Image database (product images, 2D dimension drawings, 3D models, device circuit diagrams, EPLAN macros, ...)

http://www.automation.siemens.com/bilddb/cax_de.aspx?mlfb=3SE6315-0BB02&lang=en





1	WH = White	→	A1
2	BN = Brown	→	X1
3	GN = Green	→	A2
4	YE = Yellow	→	OSSD1
5	GY = Grey	→	OUT
6	PK = Pink	→	X2
7	BU = Blue	→	OSSD2
8	RD = Red	→	n. c.

last modified:

04/04/2020