

Altech Corp.®



Quality
Endorsed
Company



Altech®
by KATKO

UL98 Disconnect Switches

UL98 Motor Disconnect Switch - Extended

- Every design is lockable in OFF position
- Switching mechanism speed is independent from the operator
- Silver contacts ensure safe and durable operation



4 Pole disconnect switch shown with optional 3 pole touch protector

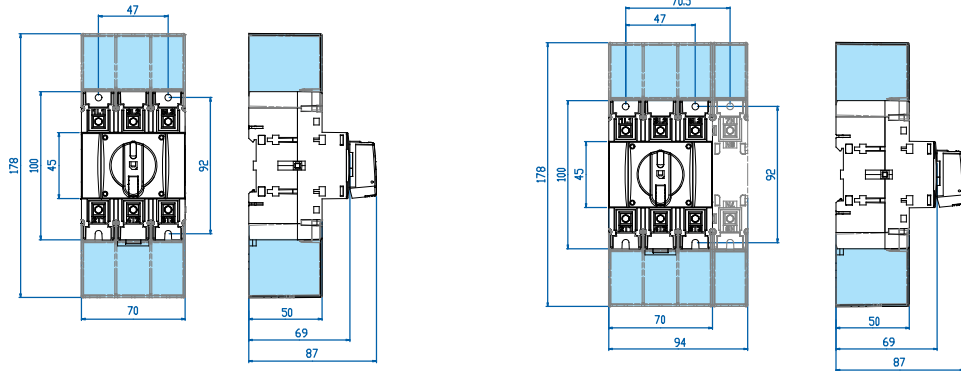
Catalog Number	KU360UL98		KU3100UL98		KU460UL98		KU4100UL98		
No. of Poles*	3		3		4		4		
General Purpose Current	60 A		100 A		60 A		100 A		
Maximum Voltage	600V AC		600V AC		600V AC		600V AC		
Horsepower Rating /HP	1 Phase	3 Phase	1 Phase	3 Phase	1 Phase	3 Phase	1 Phase	3 Phase	
	120V AC	3	—	5	—	3	—	5	—
	240V AC	7½	20	10	25	7½	20	10	25
	480V AC	—	40	—	50	—	40	—	50
	600V AC	—	60	—	75	—	60	—	75
Short Circuit Withstand Rating at 600 V	50 kA/60 A Class J		50 kA/60 A Class J		50 kA/60 A Class J		50 kA/60 A Class J		

Terminal Size Acceptability (Cu Conductors only, 75°C)	8-1/0 AWG		8-1/0 AWG		8-1/0 AWG		8-1/0 AWG	
---	-----------	--	-----------	--	-----------	--	-----------	--

Dimensions								
------------	--	--	--	--	--	--	--	--

(to convert to inches multiply by 0.03937)

NOTE: Optional touch protectors shown in light blue.



Weight	0.45 kg		0.45 kg		0.59 kg		0.59 kg	
--------	---------	--	---------	--	---------	--	---------	--

Suitable Accessories

DOOR INTERLOCK HANDLES



Lockable with up to 3 padlocks.

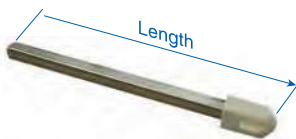
Lockable with up to 3 padlocks.

SIDE MOUNTED AUXILIARY SWITCHES

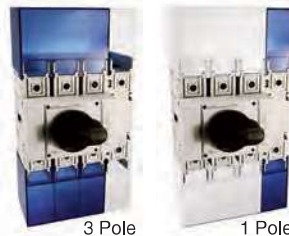


Cat. No.	LK10 UL	LK10 Y/R UL	LK11 U	LK11 Y/R U	Cat. No.	1.V160KU	2.V160KU
Environmental Rating UL (IEC)	UL Type 4X (IP66)		UL Type 4X (IP67)		No. of Contacts	1n.o./1n.c.	2n.o./2n.c.
Color	Black	Yellow/Red	Black	Yellow/Red	Electrical Rating	16 A/1/2HP/125-250V AC	

DOOR INTERLOCK SHAFT



Cat. No.	L100 AD11-ST	L200 AD11-ST	L300AD11-ST
Length (L)	100 mm	200 mm	300 mm
Material	Steel	Steel	Steel



BLUE TOUCH PROTECTOR

Cat. No.	LS/VS 160 3P	LS/VS N160
Poles	3	1

* 6 and 8 pole versions along with changeover version available upon request.

UL98 Motor Disconnect Switch - Sheet Metal Enclosure



- Can be used locally at the motor
- UL Type 4
- Excellent in harsh weather conditions
- Resistant to many chemicals
- Corrosion and UV resistant
- IEC IP65 Protection Level
- Lockable - Defeatable Handle



All Models are lockable with up to 3 padlocks.

Catalog Number

- Yellow/Red Handle

- Black Handle

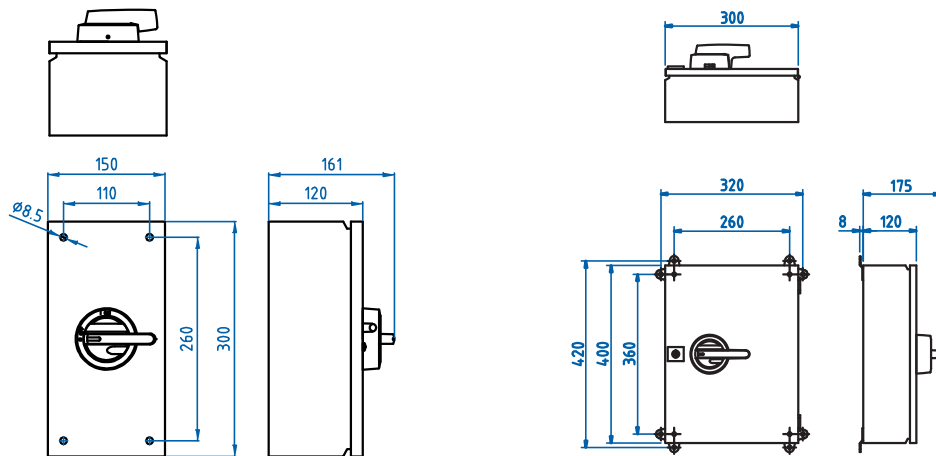
	KET360UL98 Y/R KET360UL98		KET460UL98 Y/R KET460UL98		KET3100UL98 Y/R KET3100UL98		KET4100UL98 Y/R KET4100UL98	
No. of Poles*	3		4		3		4	
General Purpose Current	60 A		60 A		100 A		100 A	
Maximum Voltage	600V AC		600V AC		600V AC		600V AC	
Horsepower Rating /HP	1 Phase	3 Phase	1 Phase	3 Phase	1 Phase	3 Phase	1 Phase	3 Phase
120V AC	3	—	3	—	5	—	5	—
240V AC	7.5	20	7.5	20	10	25	10	25
480V AC	—	40	—	40	—	50	—	50
600V AC	—	60	—	60	—	75	—	75
Short Circuit Withstand Rating at 600 V	50 kA/60 A Class J		50 kA/60 A Class J		50 kA/100 A Class J		50 kA/100 A Class J	

Terminal Size Acceptability

(Cu Conductors only, 75°C)

Dimensions & Size

(to convert to inches multiply by 0.03937)



Weight

Weight	4.3 kg	4.4 kg	9.7 kg	9.8 kg
--------	--------	--------	--------	--------

Suitable Accessories

AUXILIARY SWITCHES



Cat. No.	1.V160KU	2.V160KU
No. of Contacts	1n.o./1n.c.	2n.o./2n.c.
Electrical Rating	16 A/1/2HP/125-250V AC	

* 6 and 8 pole versions along with changeover version available upon request.

UL98 Motor Disconnect Switch - Stainless Steel Enclosure



- Can be used locally at the motor
- UL Type 4X
- Ideal where chemicals are used for cleaning and maintenance such as food processing and breweries
- Mining is another application area
- Stainless Steel (Grade AISI 316)
- Corrosion Resistant
- IEC IP65 Protection Level
- Lockable - Defeatable Handle



All Models are lockable with up to 3 padlocks.

Catalog Number

- Yellow/Red Handle
- Black Handle

KER360UL98 Y/R
KER360UL98

KER460UL98 Y/R
KER460UL98

KER3100UL98 Y/R
KER3100UL98

KER4100UL98 Y/R
KER4100UL98

No. of Poles*	3	4	3	4
General Purpose Current	60 A	60 A	100 A	100 A
Maximum Voltage	600V AC	600V AC	600V AC	600V AC

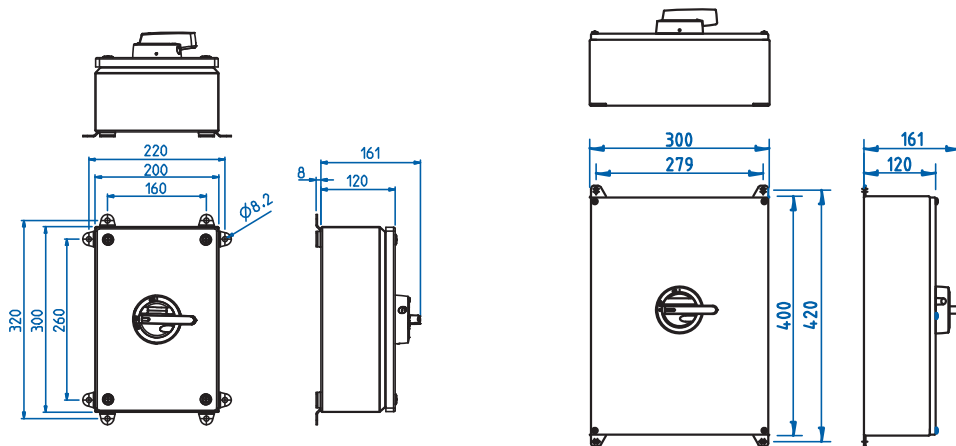
Horsepower Rating /HP	1 Phase	3 Phase	1 Phase	3 Phase	1 Phase	3 Phase	1 Phase	3 Phase
120V AC	3	—	3	—	5	—	5	—
240V AC	7.5	20	7.5	20	10	25	10	25
480V AC	—	40	—	40	—	50	—	50
600V AC	—	60	—	60	—	75	—	75

Short Circuit Withstand Rating at 600 V	50 kA/60 A Class J	50 kA/60 A Class J	50 kA/100 A Class J	50 kA/100 A Class J
---	--------------------	--------------------	---------------------	---------------------

Terminal Size Acceptability (Cu Conductors only, 75°C)	8-1/0 AWG	8-1/0 AWG	8-1/0 AWG	8-1/0 AWG
---	-----------	-----------	-----------	-----------

Dimensions & Size	H01	H01	H02	H02
-------------------	-----	-----	-----	-----

(to convert to inches multiply by 0.03937)



Weight	3.3 kg	3.4 kg	6.9 kg	7.0 kg
--------	--------	--------	--------	--------

Suitable Accessories

AUXILIARY SWITCHES



Cat. No.	1.V160KU	2.V160KU
No. of Contacts	1n.o./1n.c.	2n.o./2n.c.
Electrical Rating	16 A/1/2HP/125-250V AC	

* 6 and 8 pole versions along with changeover version available upon request.

UL98 Motor Disconnect Switch - Polycarbonate Enclosure



- Can be used locally at the motor
- UL Type 4X
- IEC IP65 Protection Level
- UV resistant
- Resistant to many chemicals
- Lockable - Defeatable Handle



All Models are lockable with up to 3 padlocks.

Catalog Number

- Yellow/Red Handle
- Black Handle

KEM360UL98 Y/R
KEM360UL98

KEM460UL98 Y/R
KEM460UL98

KEM3100UL98 Y/R
KEM3100UL98

KEM4100UL98 Y/R
KEM4100UL98

No. of Poles*	3	4	3	4
General Purpose Current	60 A	60 A	100 A	100 A
Maximum Voltage	600V AC	600V AC	600V AC	600V AC

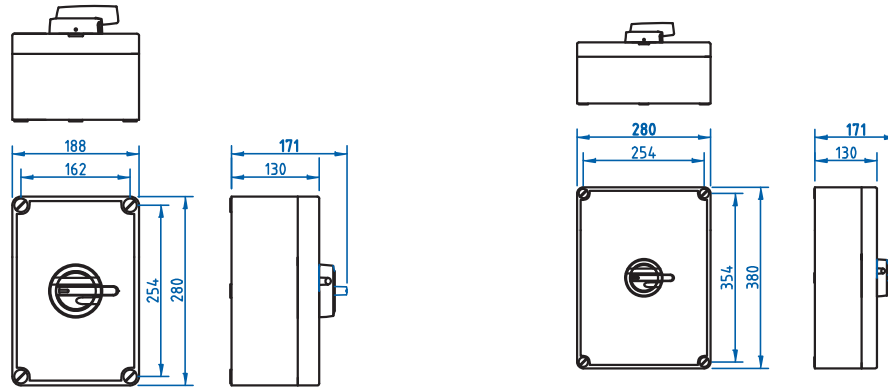
Horsepower Rating /HP	1 Phase		3 Phase		1 Phase		3 Phase		1 Phase		3 Phase	
	120V AC	3	—	3	—	5	—	5	—	5	—	—
240V AC	7.5	20	7.5	20	10	25	10	25	10	25	—	
480V AC	—	40	—	40	—	50	—	50	—	50	—	
600V AC	—	60	—	60	—	75	—	75	—	75	—	

Short Circuit Withstand Rating at 600 V	50 kA/60 A Class J	50 kA/60 A Class J	50 kA/100 A Class J	50 kA/100 A Class J
---	--------------------	--------------------	---------------------	---------------------

Terminal Size Acceptability (Cu Conductors only, 75°C)	8-1/0 AWG	8-1/0 AWG	8-1/0 AWG	8-1/0 AWG
---	-----------	-----------	-----------	-----------

Dimensions & Size	MF10	MF10	MF11UL	MF11UL
-------------------	------	------	--------	--------

(to convert to inches multiply by 0.03937)



Weight	2.4 kg	3.3 kg	2.5 kg	3.4 kg
--------	--------	--------	--------	--------

Suitable Accessories

AUXILIARY SWITCHES



Cat. No.	1.V160KU	2.V160KU
No. of Contacts	1n.o./1n.c.	2n.o./2n.c.
Electrical Rating	16 A/1/2HP/125-250V AC	

* 6 and 8 pole versions along with changeover version available upon request.



We have a full line of High Quality Disconnect Switches & Accessories.



FEATURES AND BENEFITS:

- One of the smallest 80 A switches in the industry
- Advanced switch technology (use of silver contacts ensures safe and durable operation)
- Across the line, motor starting - up to 75 hp/600 V
- General Use Rating - 16 A to 150 A/600 V
- Available as rotary switches for extended or direct handle applications
- Toggle switches
- Non-fused switch
- Short Circuit Withstand Rating of 10 kA with back-up fuse
- DIN Rail and panel mount available
- Comprehensive range of accessories
- Snap on auxiliary contacts
- Enclosed switches have UL Listed Type 4 and/or 4X rating; watertight
- Operating temperature is -20°C to +40°C

UL60947-4-1A (Formerly UL508) Listed Manual Motor Controllers

with Disconnecting Means



AC Motor Across-The-Line
AC General Use

Altech Corporation
35 Royal Road
Flemington, NJ 08822-6000
P 908.806.9400 • F 908.806.9490
www.altechcorp.com



Altech Corp.® 444UL98-2000
Printed June 2019