

Hybrid link module Electrical and mechanical for 3RV2.1 screw-type technology and 3RT2.1 spring-type (multi-unit packaging)







General technical data

Product brand name		SIRIUS
Product designation		link module
Design of the product		actuating voltage contactor: AC and DC
Size of the circuit-breaker		S00
Size of contactor		S00

Installation/ mounting/ dimensions

Mounting type		Screw fixing in circuit breaker, pluggable in contactor
---------------	--	---

Certificates/ approvals

General Product Approval			Declaration of Conformity	Test Certificates
 CSA	 UL		 EG-Konf.	Miscellaneous Type Test Certificates/Test Report

Test Certificates	Shipping Approval			other
Special Test Certificate	 ABS	 BUREAU VERITAS	 PRS	 RINA Confirmation

Further information

Information- and Downloadcenter (Catalogs, Brochures,...)

<https://www.siemens.com/ic10>

Industry Mall (Online ordering system)

<https://mall.industry.siemens.com/mall/en/en/Catalog/product?mlfb=3RA2911-2F>

Cax online generator

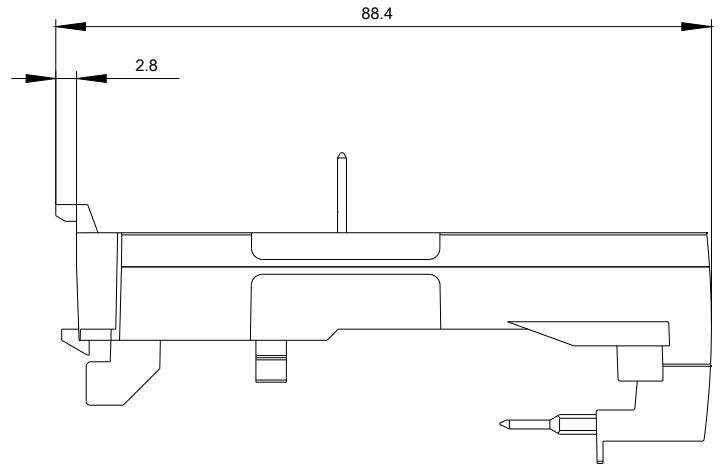
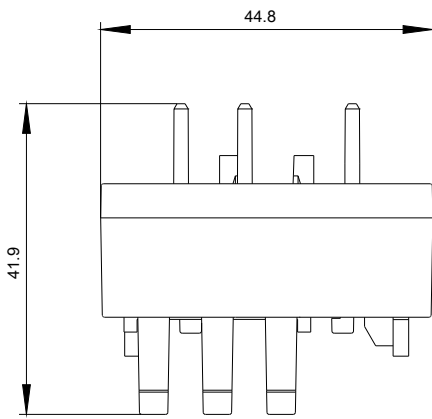
<http://support.automation.siemens.com/WW/CAXorder/default.aspx?lang=en&mlfb=3RA2911-2F>

Service&Support (Manuals, Certificates, Characteristics, FAQs,...)

<https://support.industry.siemens.com/cs/ww/en/ps/3RA2911-2F>

Image database (product images, 2D dimension drawings, 3D models, device circuit diagrams, EPLAN macros, ...)

http://www.automation.siemens.com/bilddb/cax_de.aspx?mlfb=3RA2911-2F&lang=en



last modified:

03/16/2020