

1/2" Disc Thermostats

Automatic Reset

CA/OA Series (602S / Silver) (602K / Gold)



Bi-Metal Temperature Controls

Selco's comprehensive line of highly reliable switches utilize a temperature sensitive bi-metal disc, electrically isolated from the switch. Contacts will close (CA Series) or open (OA Series) on temperature rise when the surface or ambient temperature increases to the snap point of the calibrated bi-metal disc. The entire switch is enclosed in a phenolic dust-free housing. The bi-metal disc is retained by a metal heat conducting sensing cap and are all single pole, single throw non-adjustable switches. To provide flexibility for customer specific applications, we offer a variety of terminal and mounting configurations.

Selco switches are produced in an ISO 9001 certified factory to insure safe and reliable operation. All models are 100% factory inspected to ensure proper temperature, continuity and function.

Custom Manufacturing options are available including: brackets, pipe and tube mounts, lead termination, over-molding and epoxy sealing. For details regarding custom 1/2" disc assemblies see Custom Part Configurator XXXXX.

Everyday Applications

Warming Equipment	Fan Heaters	Refrigerators	Dryers
Washing Machines	Electric Heaters	Furnaces	Boilers
Microwave Ovens	Water Heaters	Fireplaces	And More...
Coffee Makers	Seat Heaters	Toasters	

TEMP RANGE	TEMP TOLERANCE		DIFFERENTIAL
	OPEN	CLOSE	
32°-122°F (0°-50°C)	±7.2°F (4°C)	±9°F (5°C)	CUSTOMER SPECIFIED
123°-212°F (51°-100°C)	±7.2°F (4°C)	±10.8°F (6°C)	CUSTOMER SPECIFIED
213°-302°F (101°-150°C)	±9°F (5°C)	±12.6°F (7°C)	CUSTOMER SPECIFIED

*Temperature rate of change at 1°F (.5°C) per minute

*Tighter tolerance available upon request

Technical Specifications

Silver Contacts (602S)

Environmental Temperature

-40°-350°F (-40°-177°C)

Electrical Ratings

125VAC, 15A, Resistive, 100,000 Cycles
 250VAC, 8A, Resistive, 100,000 Cycles
 120VAC, 5.8FLA, 34.8LRA, 6,000 Cycles
 240VAC, 2.9FLA, 17.4LRA, 6,000 Cycles

Insulation Resistance

≥100mΩ (with a 500VDC Megger)

Circuit Resistance

≤50mΩ (initial value)

Dielectric Strength

1,500VAC/1-min or 1,800VAC/1-sec

Certifications

UL (E145478, XAPX2), CSA (1061290), RoHS

Gold Contacts (602K)

Environmental Temperature

-40°-350°F (-40°-177°C)

Electrical Ratings

30VDC, 1A, Resistive, 100,000 Cycles
 120VAC, 125VA (Pilot Duty), 1A

Insulation Resistance

≥100mΩ (with a 500VDC Megger)

Circuit Resistance

≤10mΩ (initial value)

Dielectric Strength

1,200VAC/1-min

Certifications

UL (E145478, XAPX2), c-UL (E145478, XAPX8), RoHS



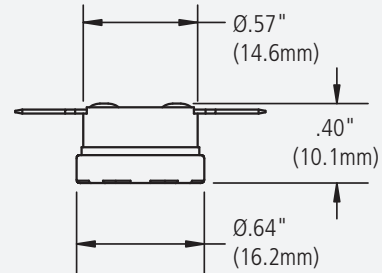
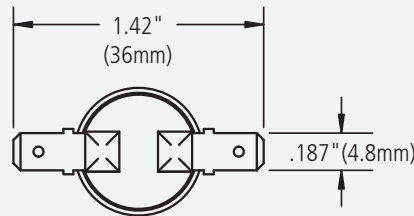
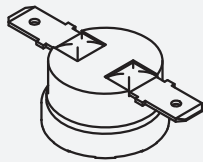
For more information on Selco Products please visit us at: www.selcoproducts.com

1/2" Disc Thermostats

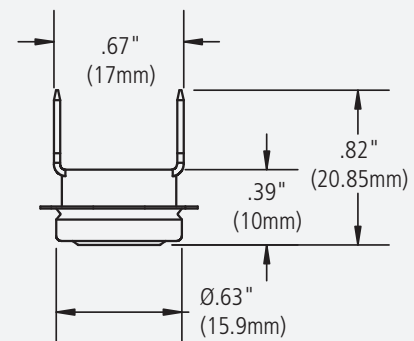
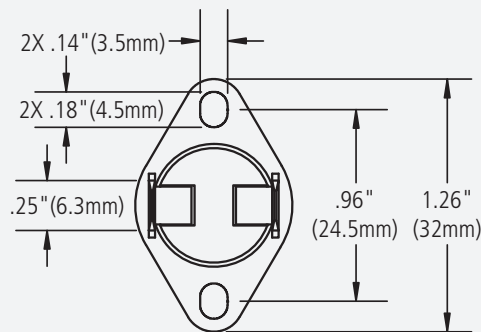
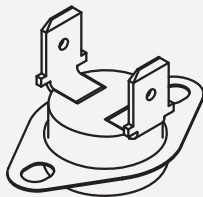
CA/OA (602S/602K) Series Technical Drawings

The drawings below are three example part configurations. For additional configurations, please see our **"Part Number Configurator"** for 1/2" Disc Assemblies.

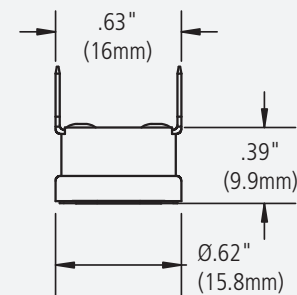
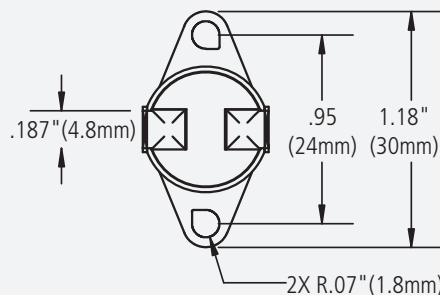
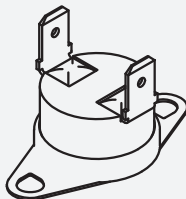
OA-60-THBOS20



OA-60-BVIO90S20



OA-60-TVAS90S20



NOTE: It is the customer's sole responsibility to specify and determine the suitability of a particular control or component based on their unique individual applications and requirements, with respect to temperature settings, cycle life, electrical load and environmental conditions.

For more information on Selco Products please visit us at: www.selcoproducts.com

selco
our service makes the difference

Selco Products, Inc.
8780 Technology Way
Reno, Nevada 89521-5908

Tel +1.800.257.3526
Fax +1.775.674.5111
Email sales@selcoproducts.com

