

Proximity sensors SIES-8M, inductive for T-slot

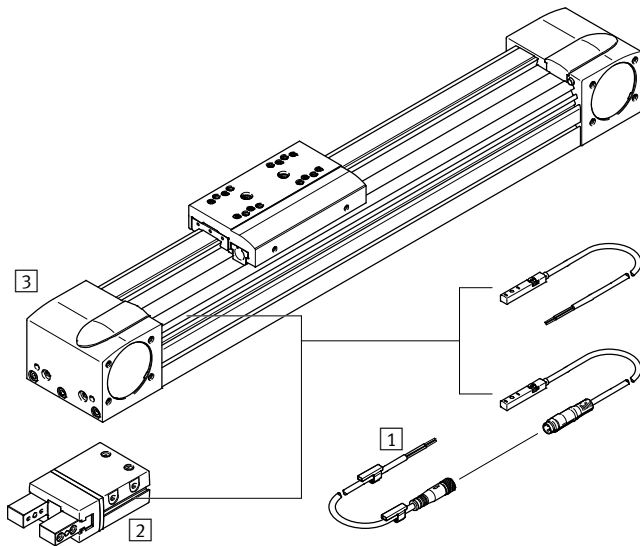
FESTO



Proximity sensors SIES-8M, inductive for T-slot

Peripherals overview and type codes

Peripherals overview



Mounting attachments and accessories		→ Page/Internet
1	Connecting cable NEBU-M8...3	6
2	Gripper with T-slot e.g. parallel gripper DHPS	gripper
3	Electric axis EGC	egc

Type codes

SIE S - 8M - P S - 24V - K - 2,5 - M8D

Type	
SIE	Proximity sensor, inductive

Design	
S	Special design

Design	
8M	For T-slot

Switching output	
P	PNP
N	NPN

Switching element function	
S	N/O contact
O	N/C contact

Rated operating voltage	
24V	24 VDC

Cable attributes	
K	Standard + energy chain

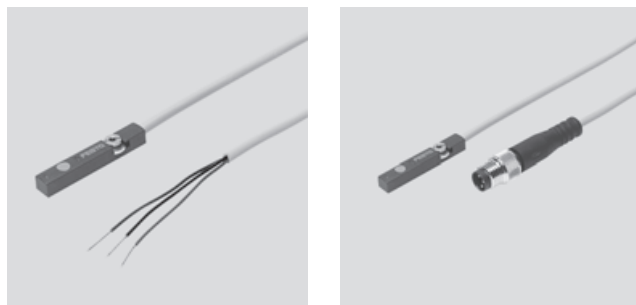
Cable length	
0,3	0.3 m
2,5	2.5 m
5,0	5.0 m
7,5	7.5 m
10	10 m

Electrical connection	
OE	Cable, 3-wire, open end
M8D	Cable with plug M8x1, 3-pin, knurled ring

Proximity sensors SIES-8M, inductive for T-slot

Technical data

- Inductive proximity sensor for T-slot, insertable from above
- Suitable for position sensing for electric axes EGC and grippers with T-slot
- 2 LEDs for better visibility, regardless of the side from which the axis approaches the sensor



General technical data	
Type of mounting	Screw-clamped in slot, insertable from above, flush with T-slot
Connection direction	In-line
Conforms to	EN 60947-5-2
Cable attributes	Standard + energy chain
Cable test conditions	Energy chain: 5 million cycles, bending radius 75 mm Resistance to bending: to Festo standard; test conditions on request
Degree of contamination	3

Electrical data	
Switching output	PNP
	NPN
Switching element function	N/C contact
	N/O contact
Max. switching frequency [Hz]	4500
Switching status display	Yellow LED
Electrical connection	Cable, 3-wire
	Cable with plug, M8x1, knurled ring, 3-pin
Operating voltage range DC [V]	10 ... 30
Insulation voltage [V]	50
Max. output current [mA]	150
Surge capacity [kV]	0.8
Idle current [mA]	≤ 10
Protection against short circuit	Pulsed
Protection against polarity reversal	For all electrical connections
Protection class	IP65
	IP67

Sensors	
Rated operating distance S_n [mm]	1.5
Repetition accuracy under constant conditions [mm]	≤ 0.05 lateral connection
	≤ 0.02 axial connection
Reduction factors	Aluminium = 0.62
	Stainless steel V2A = 0.95
	Copper = 0.6
	Brass = 0.72
	Steel St 37 = 1.0

Proximity sensors SIES-8M, inductive for T-slot

Technical data

Operating and environmental conditions		
Ambient temperature	[°C]	-25 ... +70
Ambient temperature with flexible cable installation	[°C]	-5 ... +70
CE mark (see declaration of conformity)		To EU EMC Directive ¹⁾
Certification		RCM trademark
		cULus listed (OL)

1) For information about the applicability of the component see the manufacturer's EC declaration of conformity at: www.festo.com/sp → User documentation.
If the component is subject to restrictions on usage in residential, office or commercial environments or small businesses, further measures to reduce the emitted interference may be necessary.

Materials	SIES-8M-...-OE	SIES-8M-...-M8D
Housing	- Polyamide Polyurethane High-alloy stainless steel	Brass, nickel-plated
Cable sheath	Thermoplastic polyurethane elastomer	
Note on materials	Free of copper and PTFE RoHS-compliant	

Pin allocation

Cable	Plug
<p>PNP N/O contact</p>	<p>PNP N/O contact</p>
<p>PNP N/C contact</p>	<p>PNP N/C contact</p>
<p>NPN N/O contact</p>	<p>NPN N/O contact</p>
<p>NPN N/C contact</p>	<p>NPN N/C contact</p>

Core colours
 BN = brown BK = black BU = blue

Dimensions

Download CAD data → www.festo.com

SIES-8M-...-OE

- 1 Cable, 3-wire (3x0.14 mm²)
- 3 Clamping component, max. tightening torque 0.6 Nm
- 4 Yellow LED for switching status

	B1	H1	L3	∅ 1
SIES-8M-...-24V-K-7,5-OE	5	4.6	31.8	1.5

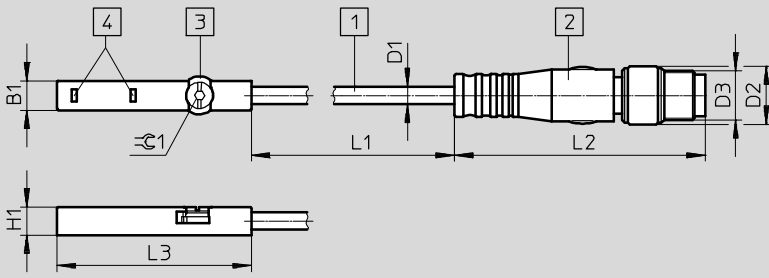
Proximity sensors SIES-8M, inductive for T-slot

Technical data

Dimensions

Download CAD data → www.festo.com



SIES-8M-...-M8D



- 1 Cable, 3-wire (3x0.14 mm²)
- 2 Plug, 3-pin, pin allocation to DIN EN 60947-5-2
- 3 Clamping component, max. tightening torque 0.3 Nm
- 4 Yellow LED for switching status

	B1	D1 ∅	D2 ∅	D3	H1	L1	L2	L3	±1
SIES-8M-...-0,3-M8D	5	2.9	9.6	M8x1	4.6	300 ⁺⁵⁰	41.1	31.8	1.5
SIES-8M-...-2,5-M8D						2500 ⁺⁵⁰			
SIES-8M-...-5,0-M8D						5000 ⁺⁵⁰			
SIES-8M-...-7,5-M8D						7500 ⁺⁷⁵			
SIES-8M-...-10-M8D						10000 ⁺¹⁰⁰			

Ordering data

Size	S _n ¹⁾ [mm]	Mounting position	Switching output	Switching element function	Cable length [m]	Part No.	Type
Cable							
	1.5	Flush	PNP	N/O contact	7.5	551386	SIES-8M-PS-24V-K-7,5-OE
				N/C contact	7.5	551391	SIES-8M-PO-24V-K-7,5-OE
			NPN	N/O contact	7.5	551396	SIES-8M-NS-24V-K-7,5-OE
				N/C contact	7.5	551401	SIES-8M-NO-24V-K-7,5-OE
Cable with plug							
	1,5	Flush	PNP	N/O contact	0.3	551387	SIES-8M-PS-24V-K-0,3-M8D
					2.5	551388	SIES-8M-PS-24V-K-2,5-M8D
					5.0	551389	SIES-8M-PS-24V-K-5,0-M8D
					10	551390	SIES-8M-PS-24V-K-10-M8D
				N/C contact	0.3	551392	SIES-8M-PO-24V-K-0,3-M8D
					2.5	551393	SIES-8M-PO-24V-K-2,5-M8D
					5.0	551394	SIES-8M-PO-24V-K-5,0-M8D
					10	551395	SIES-8M-PO-24V-K-10-M8D
			NPN	N/O contact	0.3	551397	SIES-8M-NS-24V-K-0,3-M8D
					2.5	551398	SIES-8M-NS-24V-K-2,5-M8D
					5.0	551399	SIES-8M-NS-24V-K-5,0-M8D
					10	551400	SIES-8M-NS-24V-K-10-M8D
				N/C contact	0.3	551402	SIES-8M-NO-24V-K-0,3-M8D
					2.5	551403	SIES-8M-NO-24V-K-2,5-M8D
					5.0	551404	SIES-8M-NO-24V-K-5,0-M8D
					10	551405	SIES-8M-NO-24V-K-10-M8D

1) S_n Rated operating distance [mm]

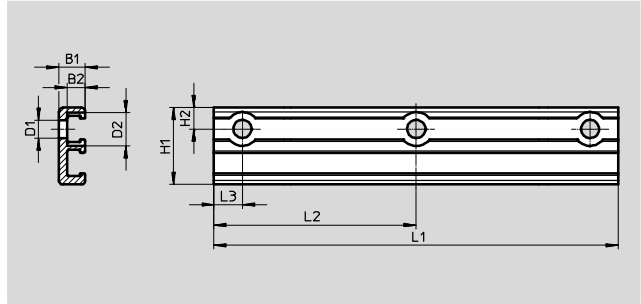
Proximity sensors SIES-8M, inductive for T-slot

Accessories

Sensor bracket SIEZ-8M

For mounting proximity sensors
SIES-8M on any housing

Material:
Wrought aluminium alloy, steel,
thermoplastic polyurethane elastomer
Note on material:
RoHS-compliant



Dimensions and ordering data											
Type	L1	L2	L3	D1 ∅	D2 ∅	H1	H2	B1	B2	Part No.	Type
SIEZ-8M-200	200	–	7	4.5	8.3	19	5.3	6.5	4.5	551406	SIEZ-8M-200
SIEZ-8M-400	400	200	7	4.5	8.3	19	5.3	6.5	4.5	551407	SIEZ-8M-400

Ordering data – Slot cover for T-slot				
	Assembly	Length	Part No.	Type
	Insertable from above	2x 0.5 m	563360	ABP-5-S1

Ordering data – Connecting cables M8x1				Technical data → Internet: nebu	
	Electrical connection, left	Electrical connection, right	Cable length [m]	Part No.	Type
	Straight socket, M8x1, 3-pin	Cable, open end, 3-wire	2.5	541333	NEBU-M8G3-K-2.5-LE3
			5	541334	NEBU-M8G3-K-5-LE3
			10	541332	NEBU-M8G3-K-10-LE3
	Angled socket, M8x1, 3-pin	Cable, open end, 3-wire	2.5	541338	NEBU-M8W3-K-2.5-LE3
			5	541341	NEBU-M8W3-K-5-LE3
			10	541335	NEBU-M8W3-K-10-LE3

Festo - Your Partner in Automation



1 Festo Inc.
5300 Explorer Drive
Mississauga, ON L4W 5G4
Canada

Festo Customer Interaction Center
Tel: 1 877 463 3786
Fax: 1 877 393 3786
Email: customer.service.ca@festo.com

2 Festo Pneumatic
Av. Ceylán 3,
Col. Tequesquináhuac
54020 Tlalnepantla,
Estado de México

Multinational Contact Center
01 800 337 8669
ventas.mexico@festo.com

3 Festo Corporation
1377 Motor Parkway
Suite 310
Islandia, NY 11749

Festo Customer Interaction Center
1 800 993 3786
1 800 963 3786
customer.service.us@festo.com

4 Regional Service Center
7777 Columbia Road
Mason, OH 45040

Connect with us



www.festo.com/socialmedia



www.festo.com

Subject to change