

Item Number HSR- 634W Series Contact Form C Switch Configuration SPDT Rev. H

Form C High Power Switch

Features	Advantages
<ul style="list-style-type: none"> • UL Recognized component • Hermetically sealed Tungsten contacts • Materials are Lead free and RoHS compliant • Rated to switch 120 VAC 	<ul style="list-style-type: none"> • Extended operations in extreme environments • Not ESD sensitive • Excellent performance under inductive or capacitive loads • Note: Requires a 3W minimum load

Electrical Specifications

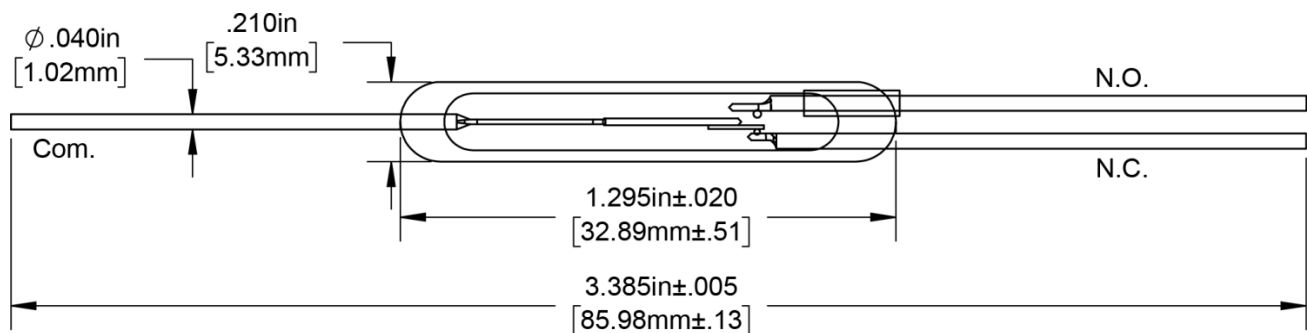
Power		Watts - maximum	100
Voltage	Switching	VDC - maximum	120
	Breakdown	VDC - minimum	150
Current	Switching	Amp - maximum	4.0
	Carry	Amp - maximum	3.5
Resistance	Initial Contact Resistance	Ohm - maximum	0.50
	Insulation Resistance	Ohm - minimum	1 E10
Capacitance	Contact	pF - typical	1.6
Temperature	Operating	°C	-40 to +125
	Storage	°C	-40 to +200

Magnetic Specifications

Pull - In Range		Ampere Turns	60-100
Test Coil		NARM RS-421-A	Coil IV

Physical/Operational Specifications

Capsule Volume	Excluding Leads	CC - nominal	0.74
Contact Material			Tungsten
Operate Time	Including Bounce	mSeconds - maximum	4.00
Release Time		mSeconds - maximum	3.90



Notes:

- (1) Specifications are not constant across entire magnetic range.
- (2) Customer must exercise care in handling, mounting, lead forming, and cutting to prevent damage to glass capsule and/or switch sensitivity.
- (3) For information about performance, custom configurations, mounting options or packaging contact our Sales department.
- (4) Information contained hereon is for informational purposes only and should not be deemed as accurate for a specific application. Consult factory for specific application information and/or latest revision.