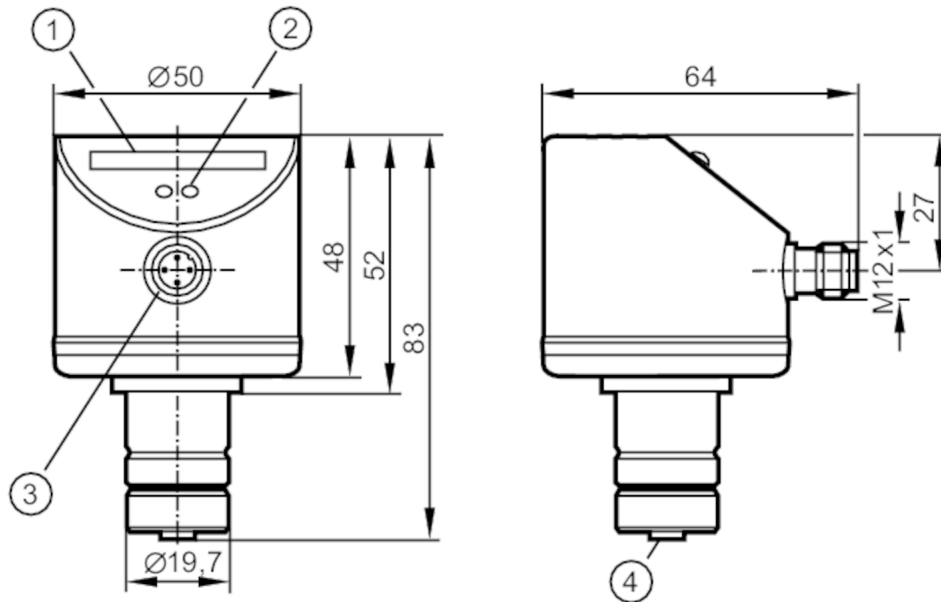


# SR5900



## Control monitor for flow sensors

SRM12XXBFPKG/



- 1 LED display
- 2 setting pushbutton
- 3 connection for voltage supply and output signals
- 4 connection for flow sensor




Application	
Application	Flow monitoring; Wire break monitoring
Electrical data	
Operating voltage [V]	19...36 DC
Current consumption [mA]	< 70
Protection class	III
Reverse polarity protection	yes
Power-on delay time [s]	10
Number of channels	1
Outputs	
Electrical design	PNP
Max. voltage drop switching output DC [V]	2.5
Permanent current rating of switching output DC [mA]	250
Switching function flow monitoring	output switches when flow is present: ON for output function = normally open / OFF for output function = normally closed
Short-circuit protection	yes
Overload protection	yes
Software / programming	
Adjustment of the switch point	pushbuttons

# SR5900



## Control monitor for flow sensors

SRM12XXBFPKG/

Operating conditions		
Ambient temperature	[°C]	-20...60
Protection		IP 67; (with sensor attached)
Tests / approvals		
EMC	EN 61000-4-2 ESD	4 kV CD / 8 kV AD
	EN 61000-4-3 HF radiated	10 V/m
	EN 61000-4-4 Burst	2 kV
	EN 61000-4-6 HF conducted	10 V
Shock resistance	DIN IEC 68-2-27	30 g (6 ms)
Vibration resistance	DIN IEC 68-2-6	5 g (55...2000 Hz)
MTTF	[years]	342
Mechanical data		
Weight	[g]	225.5
Material		stainless steel (1.4404 / 316L); stainless steel (1.4301 / 304); PC; PBT-GF20; EPDM/X; brass
Displays / operating elements		
Display	Function	LED, bar graph
	Switching status	LED, orange flash in case of wire break
Remarks		
Remarks		connection for flow sensor without short-circuit protection / reverse polarity protection
		The flow sensor must be directly connected to the control monitor.
		A connection by means of extension cables is not allowed.
Pack quantity		1 pcs.
Electrical connection		
Connector: 1 x M12		
		

# SR5900



## Control monitor for flow sensors

SRM12XXBFPKG/

### Connection

