

Panel feed-through - IPD WD 3P2,5 M20 GY - 1047319

Please be informed that the data shown in this PDF Document is generated from our Online Catalog. Please find the complete data in the user's documentation. Our General Terms of Use for Downloads are valid (<http://phoenixcontact.com/download>)




Panel feed-through, Push-in connection, number of positions: 2+PE, 0.5 mm² ... 2.5 mm², 690 V, 20 A, light gray, cable diameter range: 6 mm ... 9 mm and 8 mm ... 13 mm, Push-in connection

Your advantages

- ✔ Convenient: quick and easy assembly without special tools
- ✔ Efficient - by using panel feed-throughs, devices no longer need to be opened in order to connect cables

Key Commercial Data

Packing unit	1 pc
GTIN	 4 055626 648200
GTIN	4055626648200
Weight per Piece (excluding packing)	54.000 g
Custom tariff number	85366990
Country of origin	Germany

Technical data

General

Color	light gray
Connection method	Push-in connection
	Push-in connection
Number of positions	3
Note number of positions	2+PE
Conductor cross section flexible min.	0.5 mm ²
Conductor cross section flexible max.	2.5 mm ²
Conductor cross section solid min.	0.5 mm ²
Conductor cross section solid max.	2.5 mm ²
Conductor cross section AWG min.	20
Conductor cross section AWG max.	14

Panel feed-through - IPD WD 3P2,5 M20 GY - 1047319

Technical data

Cabel

External cable diameter	6 mm ... 9 mm
	8 mm ... 13 mm
Position marking	L, N, PE

Ambient conditions

Degree of protection	IP66
	IP68 (2 m / 24 h)
	IP69K
Ambient temperature (operation)	-40 °C ... 100 °C
Ambient temperature (storage/transport)	-40 °C ... 100 °C
Temperature when conductor connected	-5 °C ... 50 °C

Electrical characteristics

Nominal current I_N	20 A
Rated current	20 A
Rated voltage (III/3)	690 V
Rated surge voltage (III/3)	6 kV

Mechanical characteristics

Frequency of connections	max. 10
Insertion/withdrawal cycles	10
Category of shock impact	IK07

Material data

Contact material	Cu
Overvoltage category	III
Degree of pollution	3

Standards and Regulations

Halogen-free	yes
--------------	-----

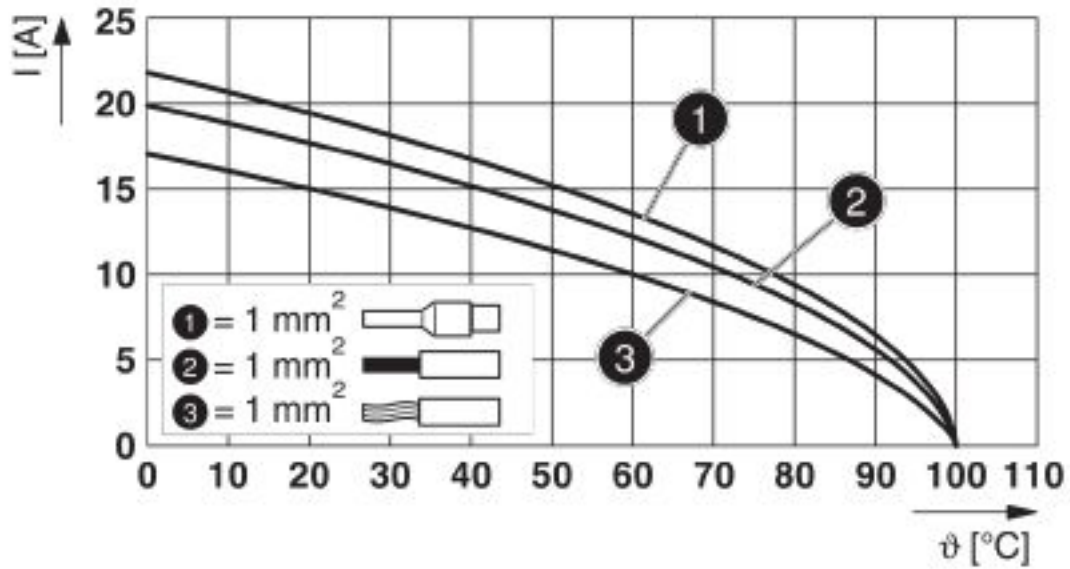
Environmental Product Compliance

China RoHS	Environmentally Friendly Use Period = 50 years
	For details about hazardous substances go to tab "Downloads", Category "Manufacturer's declaration"

Drawings

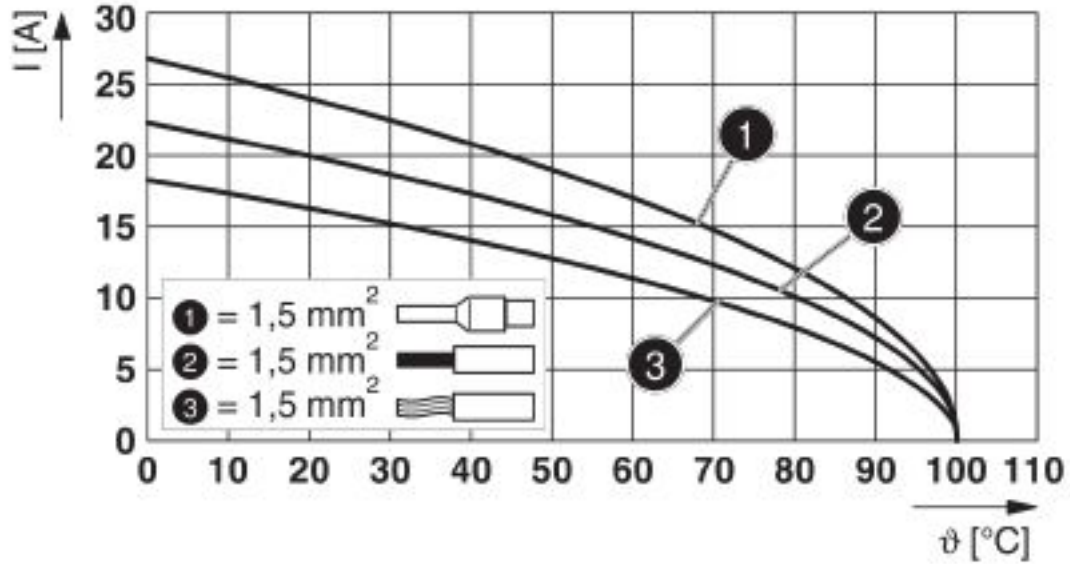
Panel feed-through - IPD WD 3P2,5 M20 GY - 1047319

Diagram



Derating diagram for 1.0 mm²

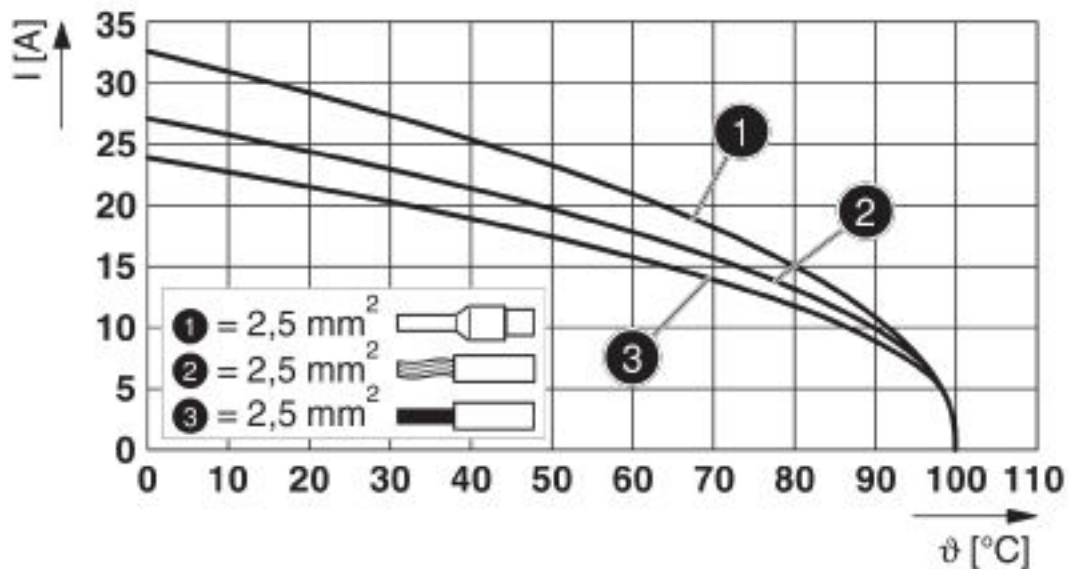
Diagram



Derating diagram for 1.5 mm²

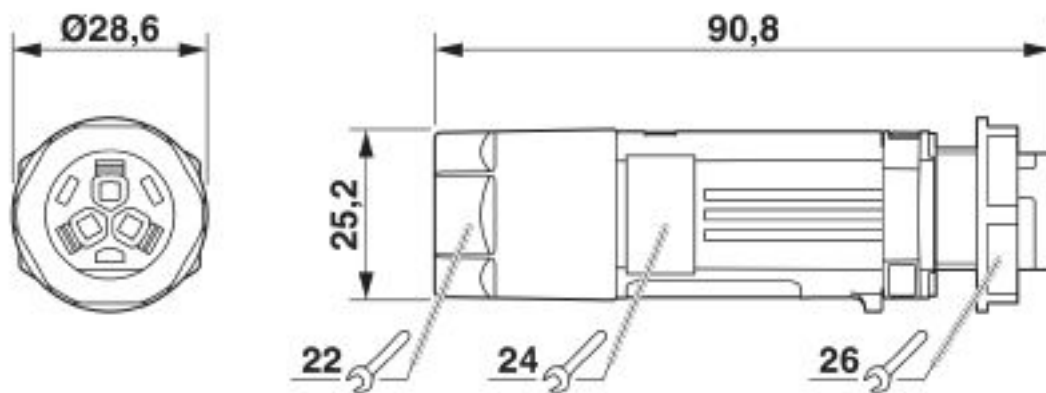
Panel feed-through - IPD WD 3P2,5 M20 GY - 1047319

Diagram



Derating diagram for 2.5 mm²

Dimensional drawing



Classifications

eCl@ss

eCl@ss 7.0	27440602
eCl@ss 8.0	27440602
eCl@ss 9.0	27440602

ETIM

ETIM 5.0	EC002566
ETIM 6.0	EC002566
ETIM 7.0	EC002566

Panel feed-through - IPD WD 3P2,5 M20 GY - 1047319

Approvals


Approvals

Approvals

VDE Zeichengenehmigung

Ex Approvals

Approval details

VDE Zeichengenehmigung		http://www2.vde.com/de/Institut/Online-Service/VDE-gepruefteProdukte/Seiten/Online-Suche.aspx	40049992
Nominal voltage UN		690 V	
Nominal current IN		20 A	
mm ² /AWG/kcmil		2.5	
