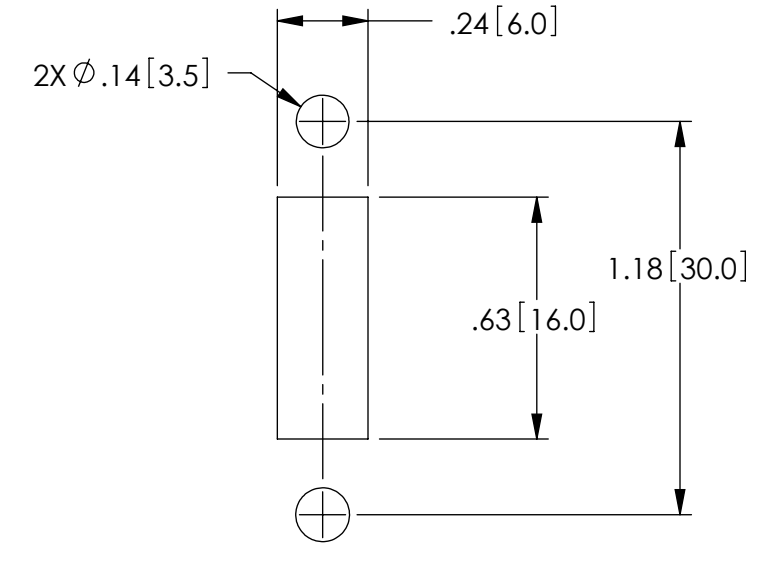
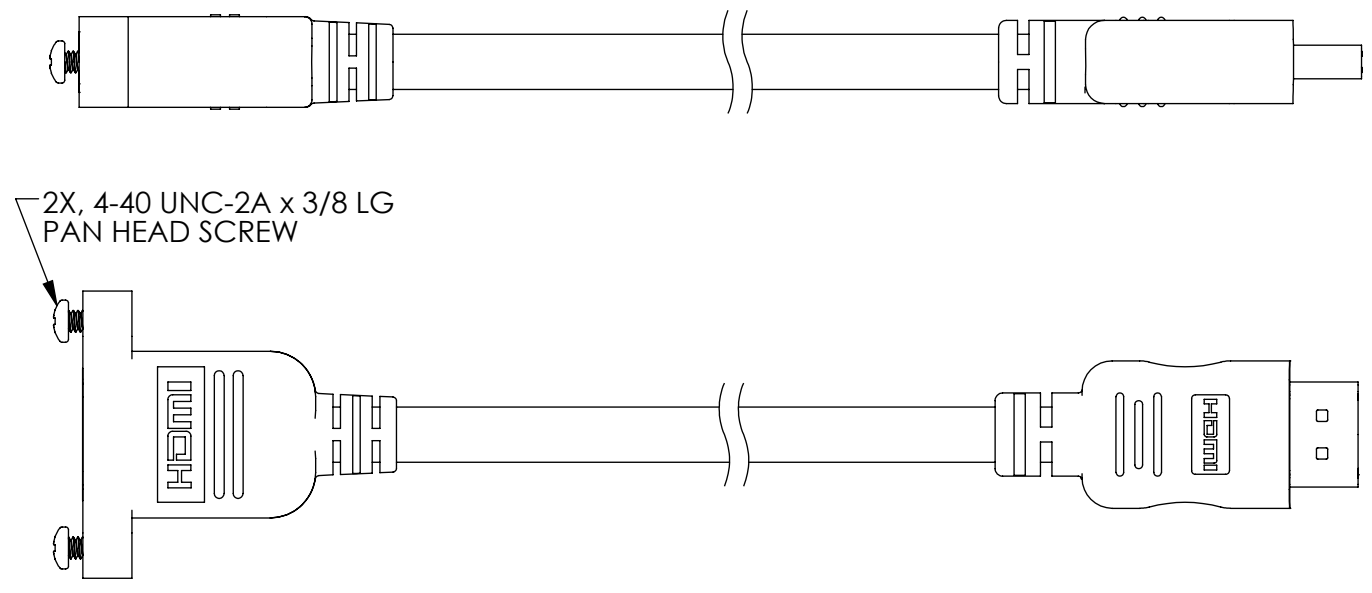
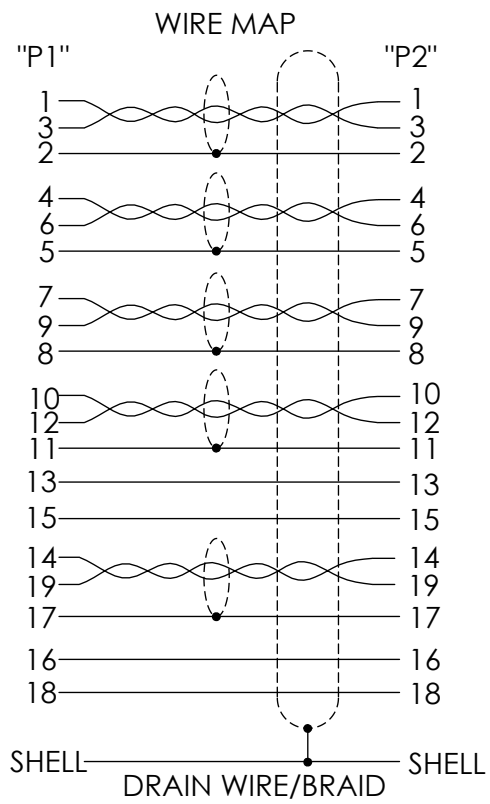
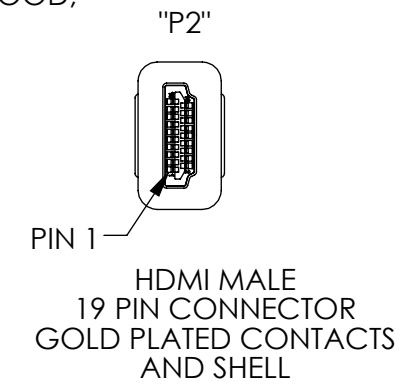
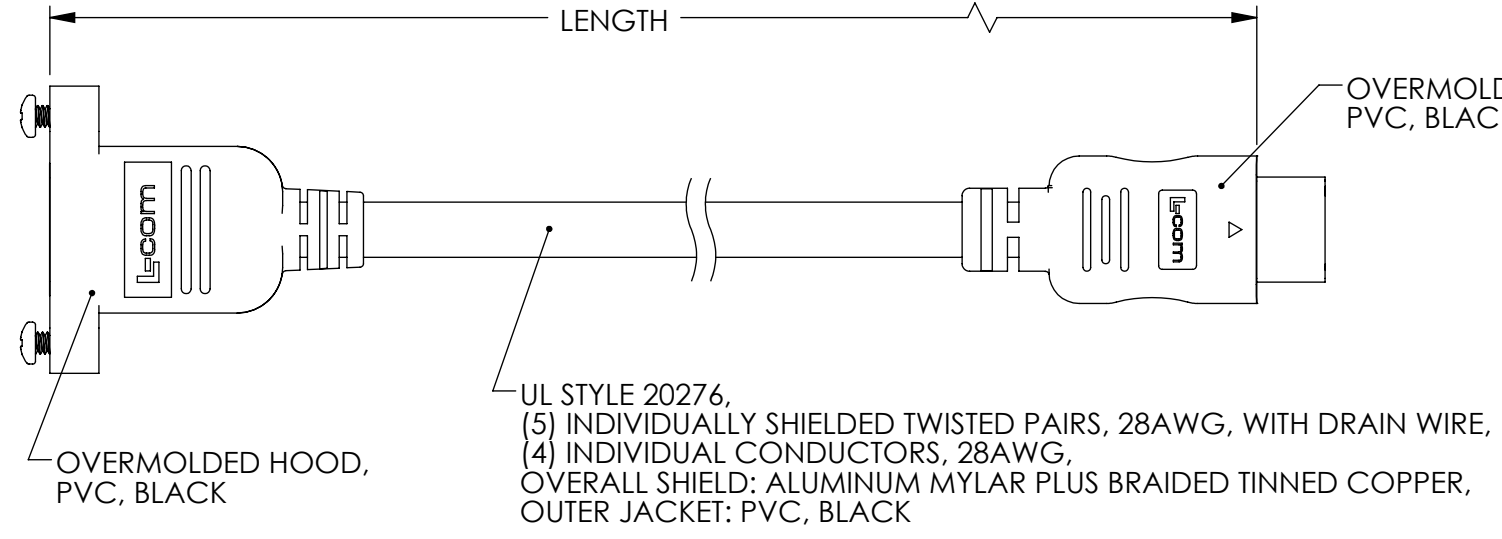
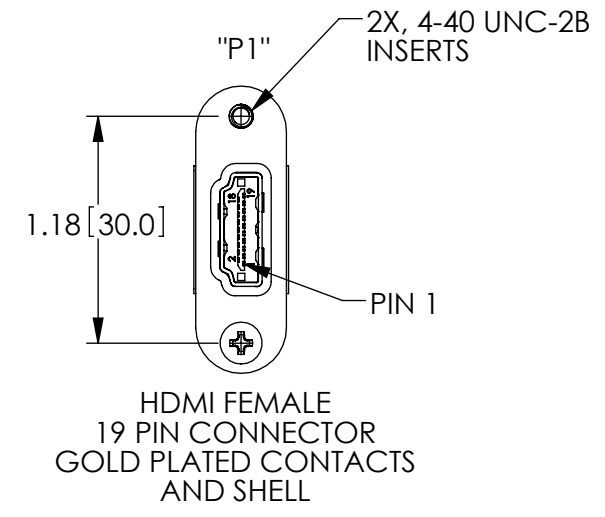


THE INFORMATION CONTAINED IN THIS DRAWING IS THE SOLE PROPERTY OF L-COM, INC. ANY REPRODUCTIONS IN PART OR WHOLE WITHOUT THE WRITTEN PERMISSION OF L-COM, INC. IS PROHIBITED.

REVISIONS			
REV	DESCRIPTION	DATE	CHANGED BY
A	INITIAL RELEASE	10/14/11	D.GRIFFIN
B	ECN 7302: CHANGED "P2" HOOD STYLE	2/20/14	D. CASTRO
C	ECN 7522: MODIFIED NOTE 2 TO PACK IN CLEAR POLYBAG	7/21/14	D. CASTRO
D	ECN 9020: REVISED NOTES TO REMOVE HDMI LABEL	12/22/2017	B.ZHANG



PART NUMBER	LENGTH	
	METERS	FEET
PMHDMF-0.5	0.5	1.64
PMHDMF-1	1.0	3.28
PMHDMF-2	2.0	6.56
PMHDMF-3	3.0	9.84
PMHDMF-4	4.0	13.12
PMHDMF-5	5.0	16.40

- NOTES:**
- CABLE ASSEMBLY SHALL BE TESTED FOR CONTINUITY.
 - CABLE ASSEMBLY SHALL BE INDIVIDUALLY PACKAGED IN A CLEAR POLYBAG AND LABELED PER LSP-010.
 - DUST COVERS INSTALLED FOR SHIPPING (NOT SHOWN).

REGULATORY COMPLIANCE:
CE2011/65/EU (RoHS DIRECTIVE)

UNLESS OTHERWISE SPECIFIED, DIMENSIONS ARE IN INCHES [mm]
OVERALL CABLE LENGTH TOLERANCE:
≤12 [305] = +1 [25] / -0
>12 [305] ≤60 [1524] = +2[51] / -0
>60 [1524] ≤120 [3048] = +4 [102] / -0
>120 [3048] ≤300 [7620] = +6 [152] / -0
>300 [7620] = +5% / -0%
ALL OTHER DIMENSIONAL TOLERANCES:
.X = ±.2 [5.08]
.XX = ±.02 [5.1]
.XXX = ±.005 [1.3]

APPROVALS	DATE
DRAWN BY D.FRISIELLO	8/10/11
CHECKED BY R.SCOTT	8/10/11
APPROVED BY P. MCNEIL	8/10/11

L-com Global Connectivity
50 HIGH STREET
NORTH ANDOVER, MA
01845

CATEGORY AUDIO/VIDEO			
PRODUCT DESCRIPTION CA HDMI PNL MNT M-F			
SIZE B	FSCM NO. 43321	DWG. NO. PMHDMF	REV. D
SCALE: 1:4		CAD FILE: PMHDMF.SLDDRW	SHEET 1 OF 1

