

Socket - EO-E/PT/SH - 0804020

Please be informed that the data shown in this PDF Document is generated from our Online Catalog. Please find the complete data in the user's documentation. Our General Terms of Use for Downloads are valid (<http://phoenixcontact.com/download>)



Socket, Pin connector pattern type E, Push-in spring connection, for France and other countries, with extended touch proofness/shutter, gray, for mounting on a DIN rail in the service interface or direct mounting, 250 V AC, 16 A, -20 °C, 60 °C, NF C61-314



COMPLIANT

Key Commercial Data

| | |
|--------------------------------------|---|
| Packing unit | 5 pc |
| Minimum order quantity | 5 pc |
| GTIN |  4 055626 225623 |
| GTIN | 4055626225623 |
| Weight per Piece (excluding packing) | 75.000 g |
| Custom tariff number | 85366990 |
| Country of origin | Poland |

Technical data

Dimensions

| | |
|--------|---------|
| Width | 45 mm |
| Height | 75 mm |
| Depth | 57.5 mm |

Ambient conditions

| | |
|---------------------------------|------------------|
| Ambient temperature (operation) | -20 °C ... 60 °C |
|---------------------------------|------------------|

General

| | |
|--|------------------|
| Nominal voltage U_N | 250 V AC (50 Hz) |
| Nominal current I_N | 16 A |
| Status display | No |
| Contact material | CuZn37 |
| Color | gray |
| Insulating material | PA |
| Flammability rating according to UL 94 | V0 |

Socket - EO-E/PT/SH - 0804020

Technical data

General

| | |
|-----------------------|------------|
| Standards/regulations | NF C61-314 |
| Country ID | France |

Connection data

| | |
|---------------------------------------|---------------------------|
| Conductor cross section solid min. | 0.2 mm ² |
| Conductor cross section solid max. | 4 mm ² |
| Conductor cross section flexible min. | 0.2 mm ² |
| Conductor cross section flexible max. | 2.5 mm ² |
| Conductor cross section AWG min. | 24 |
| Conductor cross section AWG max. | 12 |
| Connection method | Push-in spring connection |

Standards and Regulations

| | |
|--|------------|
| Standards/regulations | NF C61-314 |
| Flammability rating according to UL 94 | V0 |

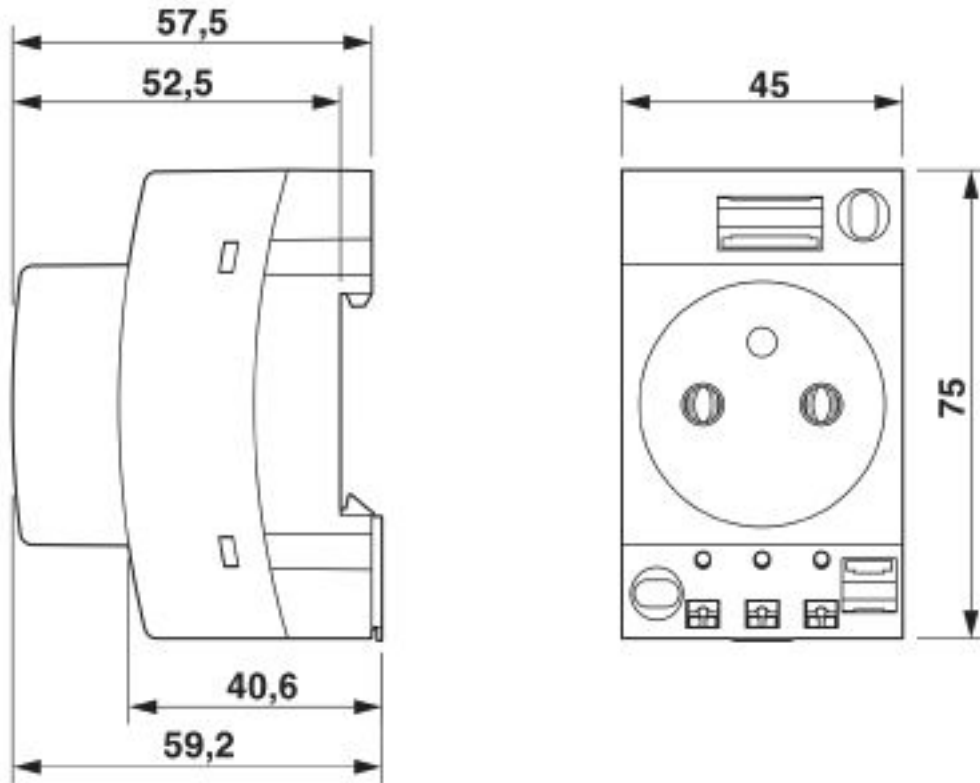
Environmental Product Compliance

| | |
|------------|---|
| China RoHS | Environmentally friendly use period: unlimited = EFUP-e |
| | No hazardous substances above threshold values |

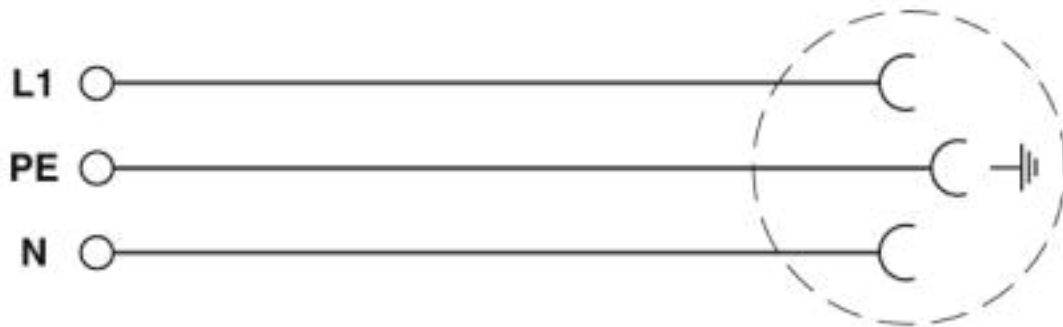
Drawings

Socket - EO-E/PT/SH - 0804020

Dimensional drawing



Circuit diagram



Classifications

eCl@ss

| | |
|------------|----------|
| eCl@ss 4.0 | 27142300 |
| eCl@ss 4.1 | 27142300 |
| eCl@ss 5.0 | 27142300 |
| eCl@ss 5.1 | 27142300 |
| eCl@ss 6.0 | 27142300 |

Socket - EO-E/PT/SH - 0804020

Classifications

eCl@ss

| | |
|------------|----------|
| eCl@ss 7.0 | 27142305 |
| eCl@ss 8.0 | 27142305 |
| eCl@ss 9.0 | 27142305 |

ETIM

| | |
|----------|----------|
| ETIM 5.0 | EC001663 |
| ETIM 6.0 | EC001663 |
| ETIM 7.0 | EC001663 |

Approvals

Approvals

Approvals

VDE Gutachten mit Fertigungsüberwachung

Ex Approvals

Approval details

| | | | |
|---|-------|---|----------|
| VDE Gutachten mit Fertigungsüberwachung | | http://www2.vde.com/de/Institut/Online-Service/VDE-gepruefteProdukte/Seiten/Online-Suche.aspx | 40048940 |
| Nominal voltage UN | 250 V | | |
| Nominal current IN | 16 A | | |

Accessories

Accessories

Adapter plate

Adapter plate - EO-SI-FRAME - 0804522



Adapter plate for installing the control cabinet sockets (type EO-...) in the mounting frames (type VS-SI-EB-EMV.../SI-M1A.../SI-M1B...). Includes fastening hardware for the control cabinet socket

Terminal marking

Socket - EO-E/PT/SH - 0804020

Accessories

Marker for terminal blocks - UC-TMF 8 - 0818137



Marker for terminal blocks, Sheet, white, unlabeled, can be labeled with: BLUEMARK ID COLOR, BLUEMARK ID, BLUEMARK CLED, PLOTMARK, CMS-P1-PLOTTER, mounting type: snap into flat marker groove, for terminal block width: 8.2 mm, lettering field size: 7.6 x 5.1 mm, Number of individual labels: 56

Marker for terminal blocks - UC-TMF 16 - 0819262



Marker for terminal blocks, Sheet, white, unlabeled, can be labeled with: BLUEMARK ID COLOR, BLUEMARK ID, BLUEMARK CLED, PLOTMARK, CMS-P1-PLOTTER, mounting type: snap into flat marker groove, for terminal block width: 16 mm, lettering field size: 15.45 x 5.1 mm, Number of individual labels: 32

Zack Marker strip, flat - ZBF 8:UNBEDRUCKT - 0808781



Zack Marker strip, flat, Strip, white, unlabeled, can be labeled with: PLOTMARK, CMS-P1-PLOTTER, mounting type: snap into flat marker groove, for terminal block width: 8 mm, lettering field size: 5.15 x 8.15 mm, Number of individual labels: 10

Zack Marker strip, flat - ZBF 16:UNPRINTED - 0827464



Zack Marker strip, flat, Strip, white, unlabeled, can be labeled with: PLOTMARK, CMS-P1-PLOTTER, mounting type: snap into flat marker groove, for terminal block width: 16 mm, lettering field size: 16.25 x 10.5 mm, Number of individual labels: 50