

Solid-state contactor - ELR 1-SC-24DC/600AC-50 - 1032926

Please be informed that the data shown in this PDF Document is generated from our Online Catalog. Please find the complete data in the user's documentation. Our General Terms of Use for Downloads are valid (<http://phoenixcontact.com/download>)



Single-phase solid-state contactor, input voltage: 24 V DC, output current: 50 A, zero voltage switch



Key Commercial Data

Packing unit	1 pc
GTIN	
GTIN	4055626536897
Weight per Piece (excluding packing)	519.600 g
Custom tariff number	85362010
Country of origin	Malta

Technical data

Dimensions

Width	35 mm
Height	110 mm
Depth	141 mm

Ambient conditions

Ambient temperature (operation)	-30 °C ... 70 °C
Ambient temperature (storage/transport)	-40 °C ... 80 °C

Input data

Input name	Control input
Rated actuating voltage U_c	24 V DC
Triggering voltage range	4 V DC ... 32 V DC
Rated actuating current I_c	approx. 12 mA
Switching threshold	≤ 1 V DC ("0" signal)
	≥ 4 V DC ("1" signal)
Transmission frequency	25 Hz

Solid-state contactor - ELR 1-SC-24DC/600AC-50 - 1032926

Technical data

Input data

Operating voltage display	Green LED
---------------------------	-----------

Output data load output

Output name	Load output
Operating voltage range	42 V AC ... 660 V AC
Load current range	500 mA ... 50 A (see to derating)
Rated operating current at AC-51	50 A
Rated operating current at AC-53a	30 A (T _A = 25 °C)
	16 A (T _A = 40 °C)
Leakage current	< 3 mA (In off state)
Residual voltage	< 1 V
Surge current	1900 A (t = 10 ms)
Type of protection	Varistor

General

Mounting position	Vertical (horizontal DIN rail)
Assembly instructions	Can be aligned with ≥ 22.5 mm spacing

Connection data

Connection name	Control circuits
Connection method	Screw connection
Stripping length	8 mm
Screw thread	M3
Conductor cross section solid	0.5 mm ² ... 2.5 mm ²
Conductor cross section flexible	0.5 mm ² ... 2.5 mm ²
Conductor cross section AWG	18 ... 12

Connection data 2

Connection name	Load circuit
Connection method	Screw connection
Stripping length	12 mm
Screw thread	M4
Conductor cross section solid	2.5 mm ² ... 6 mm ²
Conductor cross section flexible	1 mm ² ... 4 mm ²
Conductor cross section AWG	14 ... 10

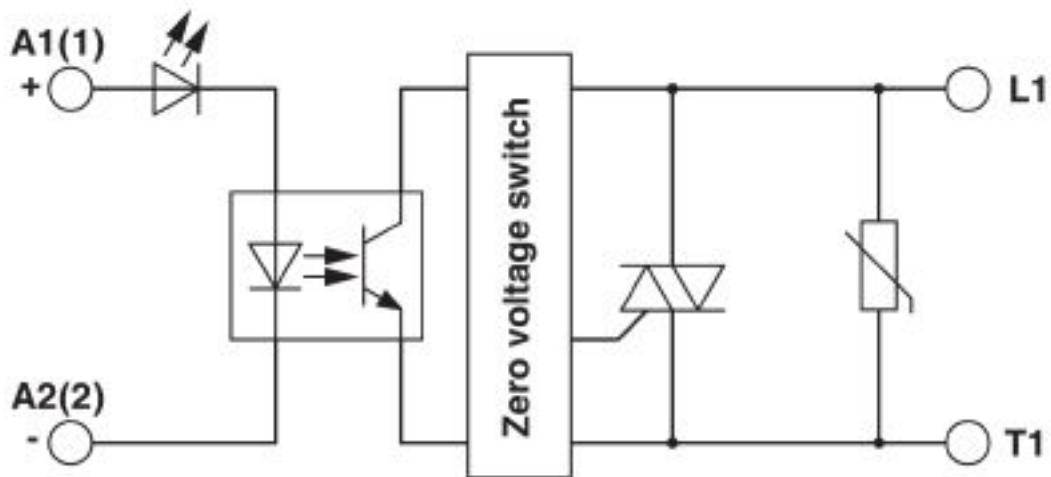
Standards and Regulations

Designation	Standards/regulations
Standards/regulations	EN 61000-4-2
	EN 61000-4-3
	EN 61000-4-4
	EN 61000-4-5
	EN 55011

Solid-state contactor - ELR 1-SC-24DC/600AC-50 - 1032926

Drawings

Block diagram



Classifications

eCl@ss

eCl@ss 6.0	27371000
eCl@ss 7.0	27371014
eCl@ss 8.0	27371014
eCl@ss 9.0	27371014

ETIM

ETIM 5.0	EC002055
ETIM 6.0	EC002055
ETIM 7.0	EC002055

Approvals

Approvals

Approvals

UL Listed / cUL Listed / EAC / cULus Listed


Ex Approvals


Approval details

Solid-state contactor - ELR 1-SC-24DC/600AC-50 - 1032926

Approvals

UL Listed		http://database.ul.com/cgi-bin/XYV/template/LISEXT/1FRAME/index.htm	FILE E 323771
-----------	---	---	---------------

cUL Listed		http://database.ul.com/cgi-bin/XYV/template/LISEXT/1FRAME/index.htm	FILE E 323771
------------	---	---	---------------

EAC			RU C- DE*.B.0080120
-----	---	--	------------------------

cULus Listed			
--------------	---	--	--