

MINIATURE PUSHBUTTONS (Cont.)

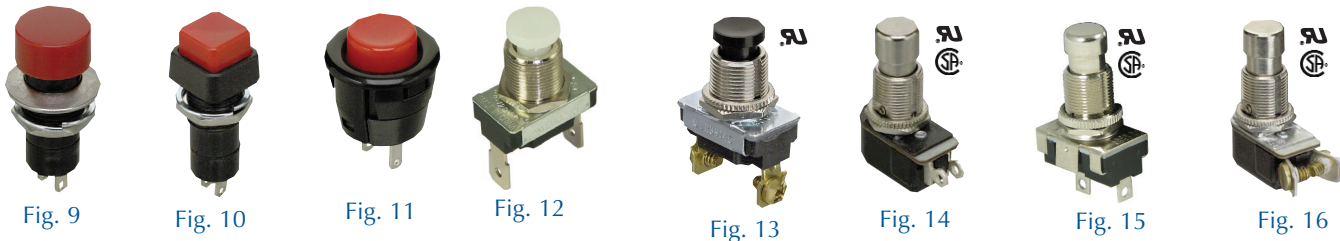


Retail Part No.	Bulk Part No.	Fig. No.	Circuit Function	Poles/Throws	Amps 125 VAC	30 Watts	Bushing Length	Actuator Length	Actuator Color	Actuator Style	Terminal Type	Mounting Hole	Hardware	Spec. Drawing Page No.
35-416	35-416-BU	1	On (Off)	SPDT	N/R	250mA	0.391	0.110	Red	RB	Sd Eyelet	0.469	LN, LW	291-A
35-418	35-418-BU	2	On (Off)	SPDT	N/R	250mA	0.391		Black	RB	Sd Eyelet	0.469	LN, LW	291-A
35-3460	35-3460-BU	3	On Off	SPST	6††		1.100	0.450	Brass	CB	6" WL	0.375	N, KN	291-B
35-852	35-852-BU	4	On Off	SPST	6††		0.375	0.344	Black	CB	6" WL	0.375	N, KN	291-C
Retail Part No.	Bulk Part No.	Fig. No.	Circuit Function	Poles/Throws	Amps 125 VAC	Amps 250 VAC	Bushing Length	Actuator Length	Actuator Color	Actuator Style	Terminal Type	Mounting Hole	Hardware	Spec. Drawing Page No.
35-491	35-491-BU	5	On On	DPDT	0.50**	0.20		0.406	Black	RmB	PCB/Sd Eye		N, LN	291-D
Retail Part No.	Bulk Part No.	Fig. No.	Circuit Function	Poles/Throws	A 125/250 VAC	30 VAC	Bushing Length	Actuator Length	Actuator Color	Actuator Style	Terminal Type	Mounting Hole	Hardware	Spec. Drawing Page No.
35-475	35-475-BU	6	(On) Off	NO SPST	0.50	0.50	0.260	0.500	Black	RB	†††	0.500	N, LN	291-E
35-476	35-476-BU	7	Off (On)	NO SPST	0.50		0.260	0.500	Red	RB	†††	0.500	N, LN	291-E
35-3471	35-3471-BU	8	On (Off)	NC SPST	***		0.374	0.244	White	RB	Sc	0.500	N, LW	291-F

Notes: (On)/(Off)=Momentary On/Off
 †††=3@250V AC
 **Rated@100VAC
 ***Rated 2Amps @120VAC, 1A 277 VAC
 ††=6.3mm Tab w/Eyelet
 †=3@250V AC
 †††=6.3mm Tab w/Eyelet
 35-491 is momentary on if the pin is removed
 CB=Canopy Button
 KN=Knurled Nut
 LN=Lock Nut
 LW=Lock Washer
 N=Nut(s)
 NC=Normally Closed
 NO=Normally Open
 N/R=Not Rated
 PCB=Printed Circuit Board
 RB=Round Button
 RmB=Removable Button
 Sc=Screw
 Sd=Solder

STANDARD PUSHBUTTONS

Switches

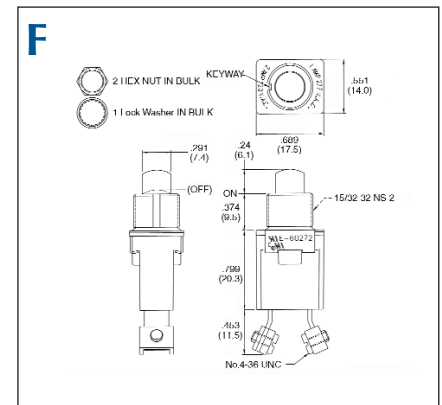
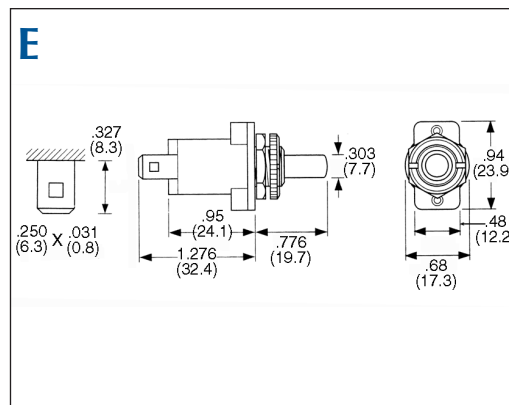
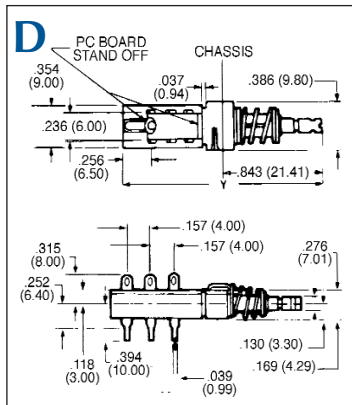
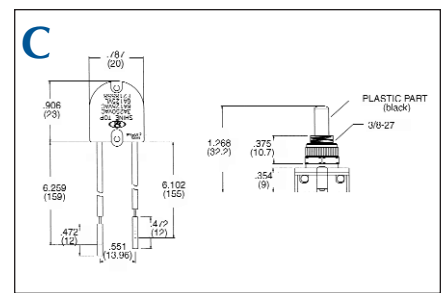
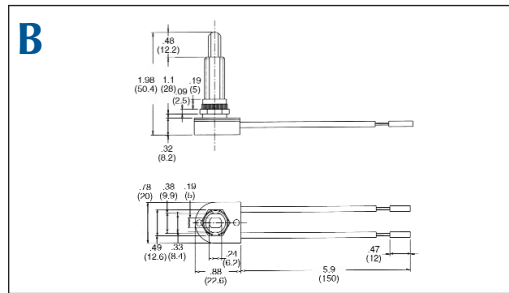
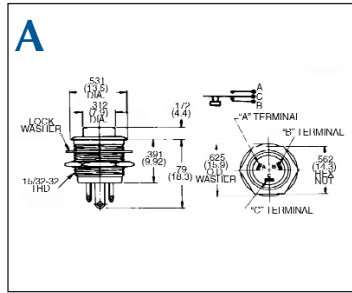


Retail Part No.	Bulk Part No.	Fig. No.	Circuit Function	Poles/Throws	Amps 125 VAC	Amps 250 VAC	Bushing Length	Actuator Length	Actuator Color/Material	Frame/Bezel	Terminal Type	Mount Hole	Hardware	Spec. Drawing Page No.
35-420	35-420-BU	9	Off (On)	NO SPST		3	0.276	0.354	Red Plastic	Chrm. Ring	Sd Eyelet	0.500	N, W	291-G
35-421	35-421-BU	10	Off (On)	NO SPST		3	0.390	0.244	Red Plastic	Black Square	Sd Eyelet	0.500	N, W	291-H
35-422	35-422-BU	9	On Off	SPST		3	0.276	0.354	White Plastic	Chrm. Ring	Sd Eyelet	0.500	N, W	291-G
35-423	35-423-BU	11	Off (On)	NO SPST	3	N/R	Snap-in	0.125	Red Plastic	Black	Sd Eyelet	0.687		291-I
35-3456	35-3456-BU	12	(On) Off	SPST	6	3	0.500	0.212	White		Q.C.	0.500	N, KN	291-J
35-3457	35-3457-BU	13	Off (On)	NO SPST	6**	3**	0.500	0.212	Black Plastic		Sc	0.500	N, KN, Sc	291-J
35-3458	35-3458-BU	13	(Off) On	NC SPST	***	***	0.490	0.200	Red Plastic		Sc	0.500	N, KN, Sc	291-K
35-430	35-430-BU	14	Off (On)	NO SPST	6	3	0.562	0.437	Chrm. Metal		Sd Eyelet	0.500	N, KN	291-L
35-432	35-432-BU	14	On (Off)	NC SPST	6	3	0.562	0.437	Chrm. Metal		Sd Eyelet	0.500	N, KN	291-L
35-448	35-448-BU	15	On Off	SPST	6	3	0.561	0.415	Chrm. Metal		Sd Eyelet	0.500	N, KN	291-L
35-449	35-449-BU	16	On Off	SPST	6	3	0.561	0.437	Chrm. Metal		Sc	0.500	N, KN	291-M

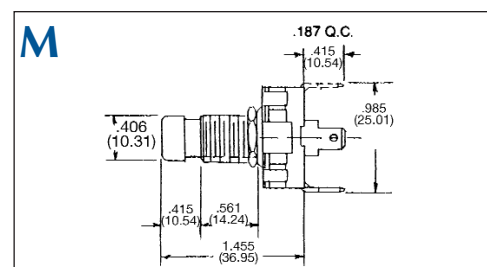
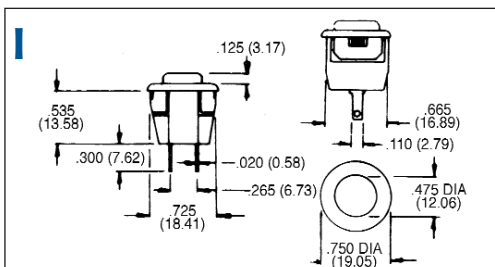
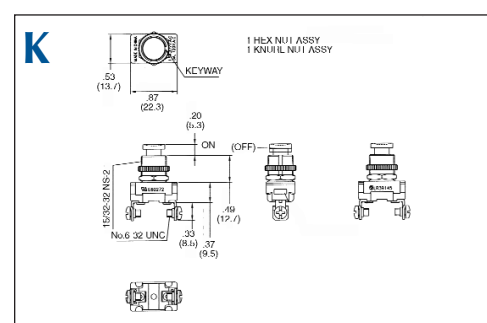
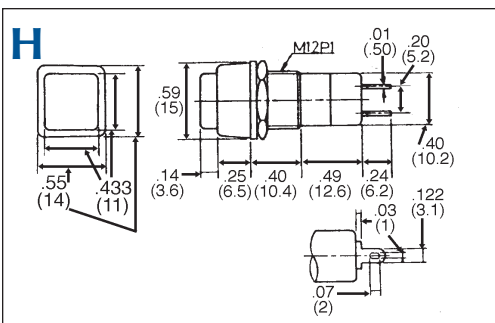
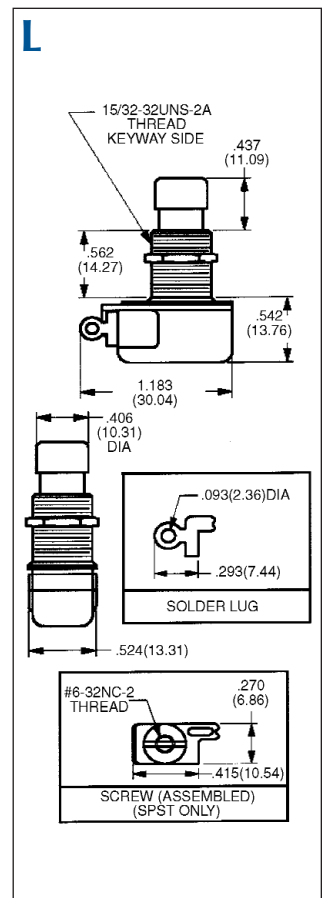
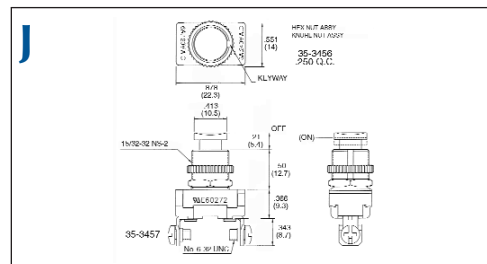
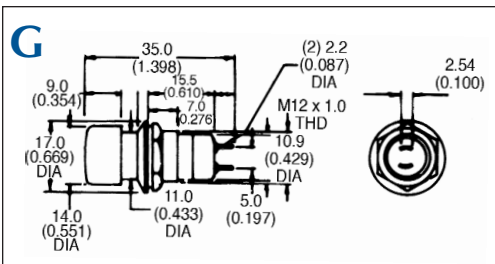
Notes: (On)/(Off)/(SPDT)=Momentary Action
 †=Rated 1/2 HP @250VDC
 **Rated 8Amps @125V DC, 4Amps @250V DC, 1/3 HP @125VAC;
 ***Rated 6Amps @120VAC/3Amps @240VAC
 ****Rated 3Amps @120VAC/1.5Amps @277VAC
 *****Rated 25/15Amps @6/12VDC
 NC=Normally Closed
 NO=Normally Open
 N/R=Not Rated
 QC=Quick Connect
 Sc=Screw
 Sd=Solder
 W=Washer
 WL=Wire Lead

Note: All figures are for illustration purpose only, and the number/type of terminals may vary.

MINIATURE PUSHBUTTONS (Cont.)



STANDARD PUSHBUTTONS (Cont.)



Switches