

Interface cable - CAB-MSTB32/2XMC9/22/ 3,0M/C3/S - 2906887

Please be informed that the data shown in this PDF Document is generated from our Online Catalog. Please find the complete data in the user's documentation. Our General Terms of Use for Downloads are valid (<http://phoenixcontact.com/download>)

VIP 16-channel cable for use with Honeywell C300 universal I/O, 22 AWG, 3.0 m long




Your advantages

- Splitter cable for connecting two 8-channel VIP base modules to a Honeywell® 16-channel IOTA board assembly
- #22 AWG halogen-free cable
- Locking flanges for securing cables to the modules and IOTA



Key Commercial Data

| | |
|--------------------------------------|---|
| Packing unit | 1 pc |
| GTIN |  4 055626 394466 |
| GTIN | 4055626394466 |
| Weight per Piece (excluding packing) | 939.000 g |
| Custom tariff number | 85444290 |
| Country of origin | United States |
| Note | Made to Order (non-returnable) |

Technical data

Ambient conditions

| | |
|---|---------------------------|
| Ambient temperature (operation) | -40 °C ... 90 °C (static) |
| Ambient temperature (storage/transport) | -40 °C ... 90 °C |

General

| | |
|---|----------------------|
| Max. permissible operating voltage | < 30 V AC/DC |
| Max. current carrying capacity per path | 2 A |
| Length of cable | 3 m |
| External cable diameter | 8.5 mm |
| Single wire, cross section | 0.36 mm ² |
| Single wire, cross section [AWG] | 22 |

Interface cable - CAB-MSTB32/2XMC9/22/ 3,0M/C3/S - 2906887

Technical data

General

| | |
|-----------------------------------|--|
| Single wire, number of litz wires | 7 |
| Single wire, material | Cu tin-plated |
| Shielding | yes |
| | Tinned copper-braided shield, approx. 85% covering |

Connection data

| | |
|-----------------------|-------------|
| Connection name | Field level |
| Connection method | pluggable |
| Number of connections | 2 |
| Number of positions | 18 |
| Pitch | 3.81 mm |

Connection data 2

| | |
|-----------------------|------------------|
| Connection name | Controller level |
| Connection method | pluggable |
| Number of connections | 1 |
| Number of positions | 32 |
| Pitch | 5.08 mm |

Standards and Regulations

| | |
|------------------|-------------|
| Flame resistance | IEC 60332-1 |
|------------------|-------------|

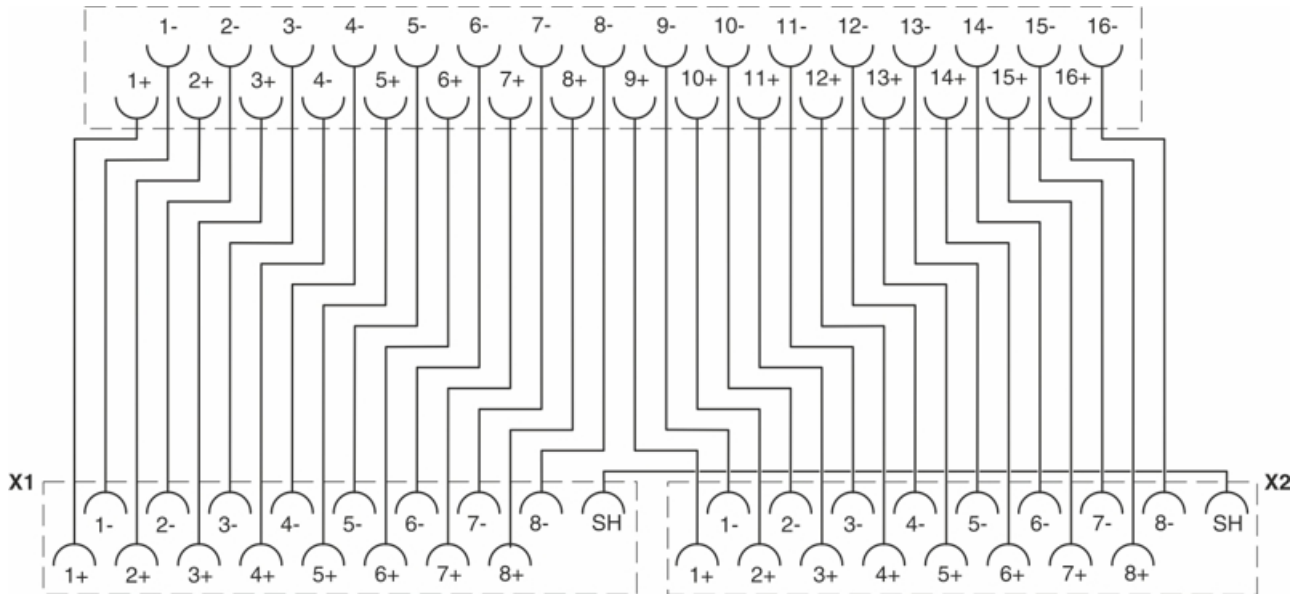
Supported controller

| | |
|------------|----------------|
| Controller | Honeywell C300 |
|------------|----------------|

Drawings

Interface cable - CAB-MSTB32/2XMC9/22/ 3,0M/C3/S - 2906887

Circuit diagram



Classifications

eCl@ss

| | |
|------------|----------|
| eCl@ss 5.0 | 27242200 |
| eCl@ss 5.1 | 27242200 |
| eCl@ss 6.0 | 27249200 |
| eCl@ss 7.0 | 27249205 |
| eCl@ss 8.0 | 27249205 |
| eCl@ss 9.0 | 27242220 |

ETIM

| | |
|----------|----------|
| ETIM 5.0 | EC000237 |
| ETIM 6.0 | EC000237 |
| ETIM 7.0 | EC000237 |

Interface cable - CAB-MSTB32/2XMC9/22/ 3,0M/C3/S - 2906887

Accessories

Additional products

Base module - VIP/S/MC/BASE 1-8/L/EX - 2906596



VIP base module with input/output accessories (IOA) provide universal channel configuration. This module has markings for channels 1-8.

Base module - VIP/S/MC/BASE 9-16/L/EX - 2906630



VIP base module with input/output accessories (IOA) provide universal channel configuration. This module has markings for channels 9-16.

Base module - VIP/S/MC/BASE 17-24/L/EX - 2907024



VIP base module with input/output accessories (IOA) provide universal channel configuration. This module has markings for channels 17-24.

Base module - VIP/S/MC/BASE 25-32/L/EX - 2907025



VIP base module with input/output accessories (IOA) provide universal channel configuration. This module has markings for channels 25-32.

Base module - VIP/S/MC/BASE 1-8/L/C/EX - 2907186



VIP base module with input/output accessories (IOA) provide universal channel configuration. This module has markings for channels 1-8 and includes conformal coating of the printed circuit board assembly.

Interface cable - CAB-MSTB32/2XMC9/22/ 3,0M/C3/S - 2906887

Accessories

Base module - VIP/S/MC/BASE 9-16/L/C/EX - 2907187



VIP base module with input/output accessories (IOA) provide universal channel configuration. This module has markings for channels 9-16 and includes conformal coating of the printed circuit board assembly.

Base module - VIP/S/MC/BASE 17-24/L/C/EX - 2907209



VIP base module with input/output accessories (IOA) provide universal channel configuration. This module has markings for channels 17-24 and includes conformal coating of the printed circuit board assembly.

Base module - VIP/S/MC/BASE 25-32/L/C/EX - 2907210



VIP base module with input/output accessories (IOA) provide universal channel configuration. This module has markings for channels 25-32 and includes conformal coating of the printed circuit board assembly.
