

PCB terminal block - PTSPL-6/1-2X2 2,1 R32 - 1704836

Please be informed that the data shown in this PDF Document is generated from our Online Catalog. Please find the complete data in the user's documentation. Our General Terms of Use for Downloads are valid (<http://phoenixcontact.com/download>)




PCB terminal block for tin-plated stranded cables, e.g., type PV 1-F, nominal current: 41 A, 1-pos., connection method: spring-cage connection, mounting: THT/THR, user information on through hole reflow technology can be found at: combicon.com

Your advantages

- ✓ Able to perform without insulating elements: ideal for easy integration into the SMT soldering process
- ✓ Tool-free spring principle enables time-saving connection of conductors with ferrules and tinned conductors
- ✓ Defined contact force ensures that contact remains stable over the long term



Key Commercial Data

| | |
|--------------------------------------|---|
| Packing unit | 250 pc |
| Minimum order quantity | 250 pc |
| GTIN |  4 046356 739757 |
| GTIN | 4046356739757 |
| Weight per Piece (excluding packing) | 3.000 g |
| Custom tariff number | 85369010 |
| Country of origin | Germany |

Technical data

Dimensions

| | |
|----------------|----------|
| Length [l] | 14.95 mm |
| Pitch | 0 mm |
| Width [w] | 0 mm |
| Height | 10.8 mm |
| Height [h] | 1.9 mm |
| Solder pin [P] | 2.1 mm |
| Hole diameter | 1.3 mm |

General

| | |
|-------------------|------------|
| Range of articles | PTSPL 6/.. |
|-------------------|------------|

PCB terminal block - PTSPL-6/1-2X2 2,1 R32 - 1704836

Technical data

General

| | |
|-----------------------|-------------------|
| Nominal current I_N | 41 A |
| Nominal cross section | 6 mm ² |
| Number of positions | 1 |

Connection data

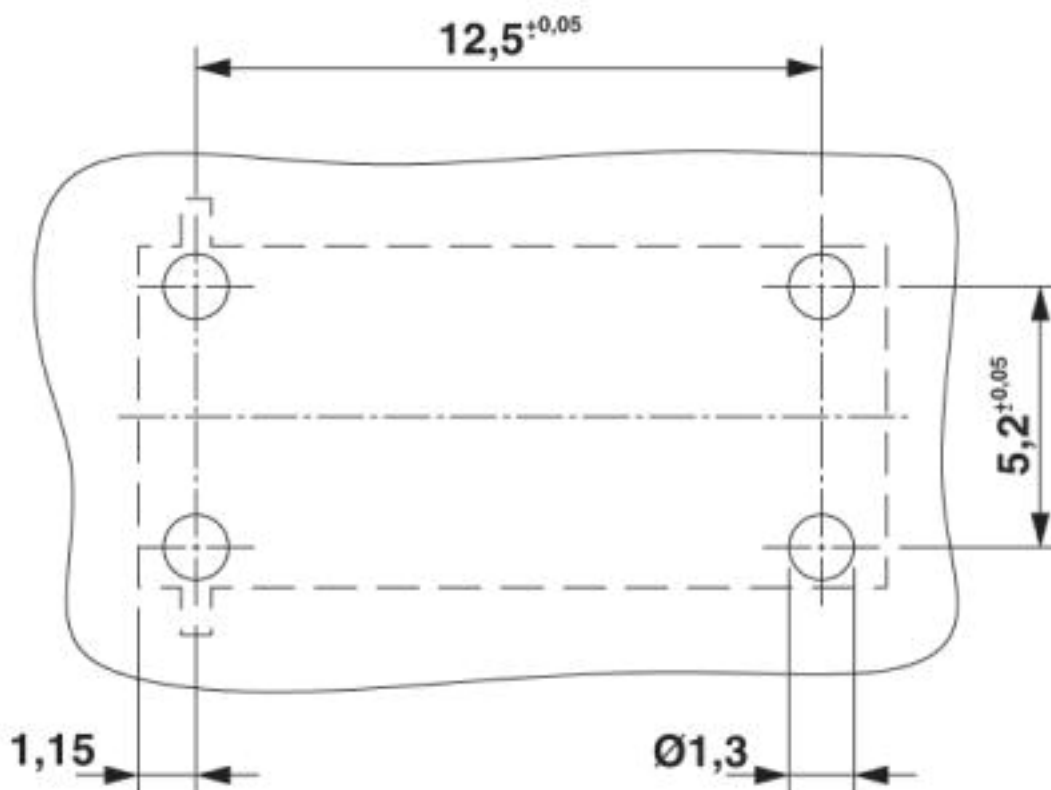
| | |
|--|---------------------|
| Conductor cross section flexible min. | 2.5 mm ² |
| Conductor cross section flexible max. | 6 mm ² |
| Conductor cross section flexible, with ferrule without plastic sleeve min. | 2.5 mm ² |
| Conductor cross section flexible, with ferrule without plastic sleeve max. | 6 mm ² |
| Stripping length | 12 mm ... 15 mm |

Environmental Product Compliance

| | |
|------------|---|
| China RoHS | Environmentally friendly use period: unlimited = EFUP-e |
| | No hazardous substances above threshold values |

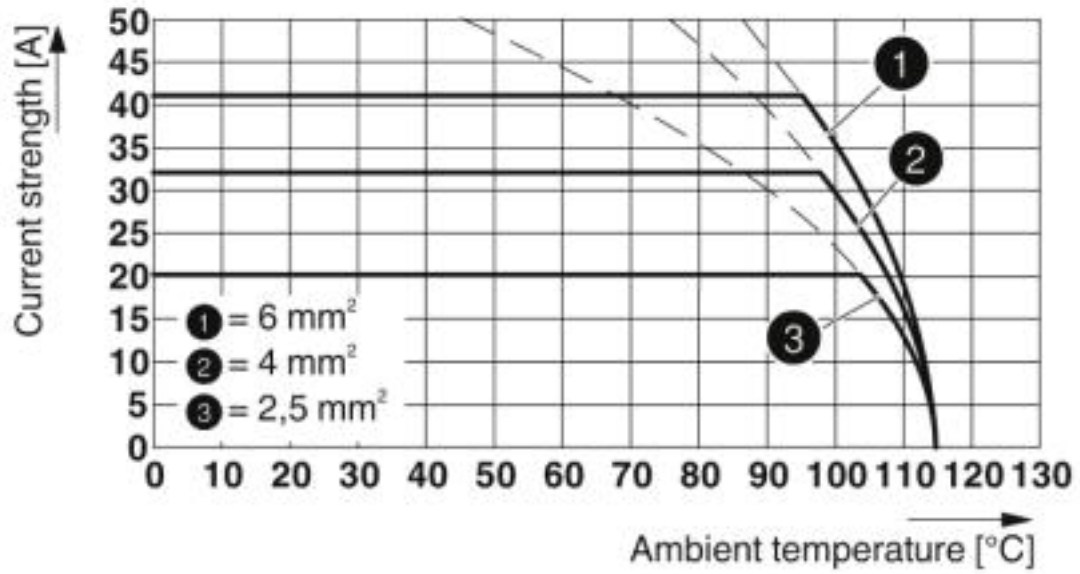
Drawings

Drilling diagram



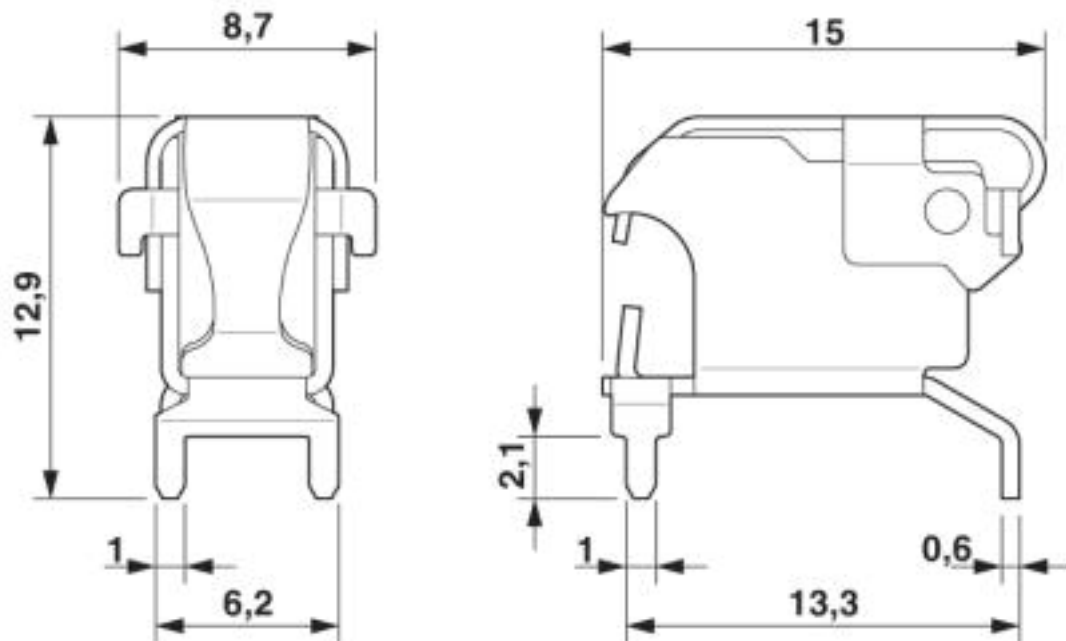
PCB terminal block - PTSPL-6/1-2X2 2,1 R32 - 1704836

Diagram



Type: PTSPL(O)-6/1-2X2 ... R32

Dimensional drawing



Classifications

eCl@ss

| | |
|------------|----------|
| eCl@ss 4.0 | 27260700 |
| eCl@ss 4.1 | 27260700 |

PCB terminal block - PTSPL-6/1-2X2 2,1 R32 - 1704836

Classifications

eCl@ss

| | |
|------------|----------|
| eCl@ss 5.0 | 27260700 |
| eCl@ss 5.1 | 27261100 |
| eCl@ss 6.0 | 27261100 |
| eCl@ss 7.0 | 27440401 |
| eCl@ss 8.0 | 27440401 |
| eCl@ss 9.0 | 27440401 |

ETIM

| | |
|----------|----------|
| ETIM 3.0 | EC001121 |
| ETIM 4.0 | EC002643 |
| ETIM 5.0 | EC002643 |
| ETIM 6.0 | EC002643 |
| ETIM 7.0 | EC002643 |

UNSPSC

| | |
|---------------|----------|
| UNSPSC 6.01 | 30211810 |
| UNSPSC 7.0901 | 39121409 |
| UNSPSC 11 | 39121409 |
| UNSPSC 12.01 | 39121409 |
| UNSPSC 13.2 | 39121432 |
| UNSPSC 18.0 | 39121432 |
| UNSPSC 19.0 | 39121432 |
| UNSPSC 20.0 | 39121432 |
| UNSPSC 21.0 | 39121432 |

Approvals

Approvals

Approvals

EAC / cULus Recognized

Ex Approvals

Approval details

| | | |
|-----|---|---------|
| EAC |  | B.01687 |
|-----|---|---------|

PCB terminal block - PTSPL-6/1-2X2 2,1 R32 - 1704836

Approvals

| | | |
|----------------------------|--|--|
| cULus Recognized | | http://database.ul.com/cgi-bin/XYV/template/LISEXT/1FRAME/index.htm E365246-20141111 |
| Nominal current IN | | 30 A |
| mm ² /AWG/kcmil | | 14-10 |

Accessories

Accessories

Crimping tool

Crimping pliers - CRIMPFOX 6 - 1212034



Crimping pliers, for ferrules without insulating collar according to DIN 46228 Part 1 and ferrules with insulating collar according to DIN 46228 Part 4, 0.25 mm² ... 6.0 mm², lateral entry, trapezoidal crimp

Screwdriver tools

Screwdriver - SZF 1-0,6X3,5 - 1204517



Actuation tool, for ST terminal blocks, also suitable for use as a bladed screwdriver, size: 0.6 x 3.5 x 100 mm, 2-component grip, with non-slip grip