

RACON 8, SMT, 3,3 \pm 0,6 N, 1 NO



fields of application

- › Measurement-control-regulation
- › Mechanical and system engineering
- › Automotive
- › Electro-medical

special features

- › Gold contacts, reliable switching with low currents
- › Special tactile feedback
- › Different operating forces
- › Variable overall heights due to plunger
- › Terminal technology: SMT or THT
- › Traceability through product identification



description

Our top-quality RACON 8 tactile switches – in dimensions 8.4 x 8.4 mm – feature an unmistakable click, high switching reliability, and a sealed contact system. That has made RACON the standard in many industries. Whether for automotive applications, systems with keycaps, or membrane keyboards, RACON impresses in the THT or SMT versions – for your application too.

RACON 8 tactile switches can be arranged individually, in rows or as key blocks. When used beneath membrane overlays, the RACON key switches should be combined with plungers. Suitable for the most important soldering techniques

Soldering bath for THT versions

Reflow soldering for SMT versions

Vapor phase soldering for SMT versions

Manual soldering

Processing of the SMT designs with SMT automatic assembly machines

IMDS entry

technical data

› general

illuminated	No
Color	blue
Operating temperature, min.	-40 °C
Operating temperature, max.	90 °C
Storage temperature, min.	-50 °C
Storage temperature, max.	85 °C
Soldering	Reflow
Corrosive gas testing according to standard	Yes
Packaging	Blister
Packaging unit	1,000 pcs.

direct links

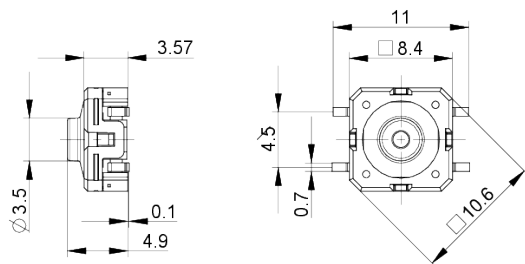
- › [RAFI eCatalog](#)

1.14.100.503/0000

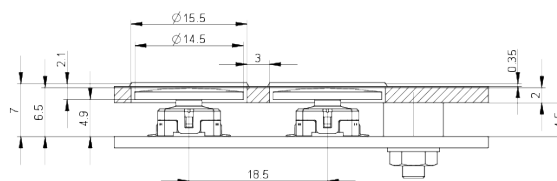
net weight	0.5 g
Operating life	1,000,000 Cycles
RoHS compliant	Yes
REACH compliant	Yes
Solder heat resistance according to standard	DIN EN 60068-2-58
SAP MOQ order	1,000
> mounting diameters	
Installation height	4,90 \pm 0,1 mm
Grid, min.	8,9 x 12,7 mm
Outside dimension, length	8.4 mm
Outside dimension, width	8.4 mm
Outside dimension, height	4,90 \pm 0,1 mm
> mechanical data	
Actuation function	momentary contact function
Operating force, max.	100 N
Operating force, min.	3,3 \pm 0,6 N
Switching travel	0,34 \pm 0,1 mm
Contact function	1 NO
Contact system	Snap-action contact
Contact material	Gold
Terminal on the rear	SMT
Lötbarkeit	Yes
> electrical data	
Rated voltage, min.	0.02 V
Rated voltage, max.	35 V
Rated current, min.	0.00001 A
Rated current, max.	0.1 A
Rated power, max.	1 W

drawings

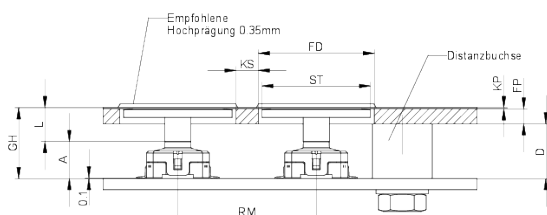
Dimensioned drawing



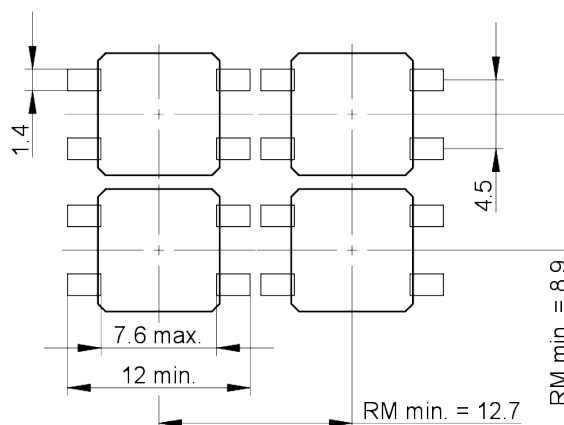
System drawing



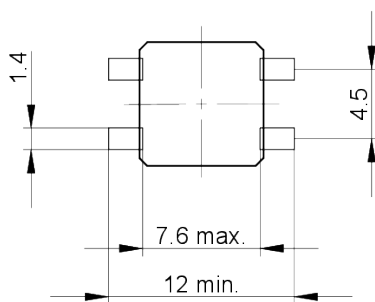
System drawing



PCB drawing

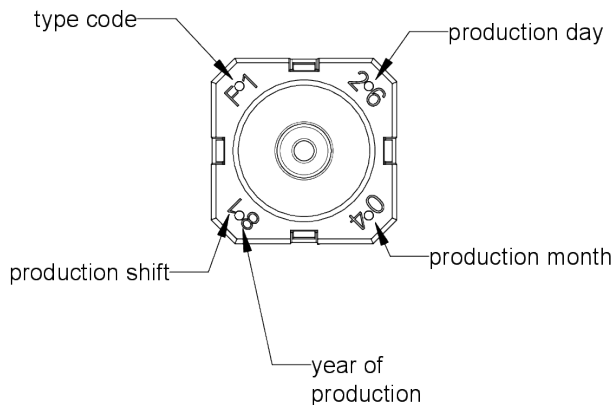


PCB drawing



PCB-Pad component side

Product labeling drawing



Packaging drawing

