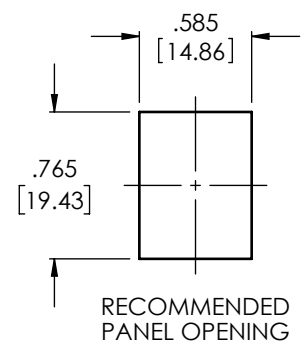
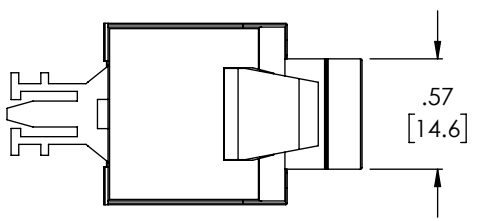
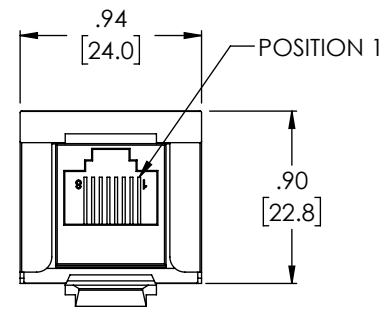
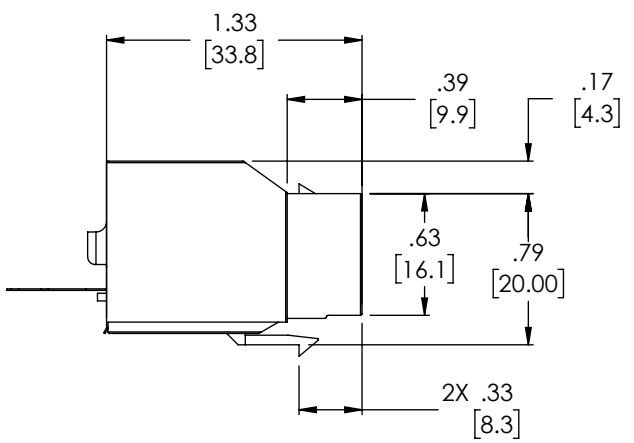
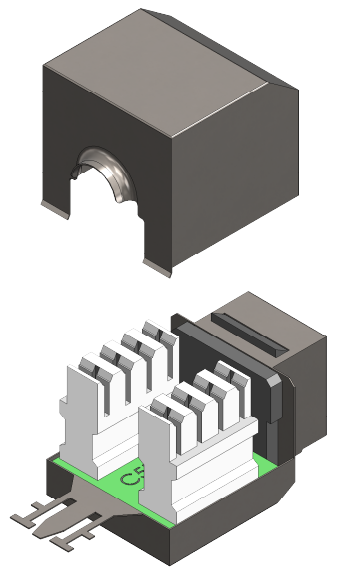
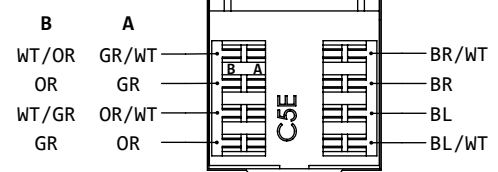


THE INFORMATION CONTAINED IN THIS DRAWING IS THE SOLE PROPERTY OF L-COM, INC. ANY REPRODUCTION IN PART OR WHOLE WITHOUT THE WRITTEN PERMISSION OF L-COM, INC. IS PROHIBITED.

| REVISIONS | | | |
|-----------|--|------------|-----------|
| REV | DESCRIPTION | DATE | APPROVED |
| A | INITIAL RELEASE | 05/09/2017 | RCLARK |
| B | ECN 9739 CHANGE CONTACT PLATING 50μINCH TO 15μINCH | 03/18/2019 | BPUCHASKI |



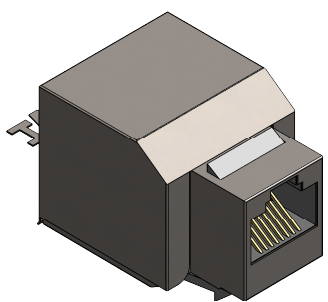
NOTES:

- MATERIAL:**
 HOUSING: UL94V-0
 CONTACTS: NICKEL
 IDC PIN: PHOSPHOR BRONZE-NICKEL
 SHIELDING: ELECTROLYTIC TIN PLATE
- FINISH:**
 CONTACT PLATING: GOLD 15 μINCHES $\triangle B$
 IDC PIN PLATING: NICKEL
 SHIELDING PLATING: 0.3mm ELECTROLYTIC TIN PLATE
- ELECTRICAL:**
 CURRENT RATING: 1.5AMP
- MECHANICAL:**
 RATING: CATEGORY 5e
 TERMINATION: IDC, 110 PUNCHDOWN
 CONDUCTOR RANGE: 22 TO 26 AWG SOLID
 MATING DURABILITY: 750 CYCLES
- MISCELLANEOUS:**
 OPERATING TEMPERATURE RATING: -40°C TO +68°C.
 COMPONENT SHALL BE INDIVIDUALLY PACKAGED IN ACCORDANCE WITH L-COM SPECIFICATION PS-0031.

ALL DIMENSIONS ARE FOR REFERENCE ONLY.
 ZIP TIE INCLUDED.

REGULATORY COMPLIANCE:
 CE2011/65/EU(RoHS DIRECTIVE)

SPECIFICATIONS:
 MEETS: ISO/IEC 606030-7
 MEETS: TIA/EIA 568-B CAT 5E
 MEETS: IEC 11801 CLASS D



| | | | | |
|---|--|----------------------------|---|-----------------------------|
| UNLESS OTHERWISE SPECIFIED, DIMENSIONS ARE IN INCHES [mm] OVERALL CABLE LENGTH TOLERANCE: ≤12 [305] = +1 [25] / -0 >12 [305] ≤60 [1524] = +2 [51] / -0 >60 [1524] ≤120 [3048] = +4 [102] / -0 >120 [3048] ≤300 [7620] = +6 [152] / -0 >300 [7620] = +5% / -0% | APPROVALS | DATE | 50 HIGH STREET NORTH ANDOVER, MA 01845 | |
| | DRAWN BY RCLARK | 05/04/2017 | | |
| ALL OTHER DIMENSIONAL TOLERANCES: .X = ±.2 [5.08] .XX = ±.02 [51] .XXX = ±.005 [1.27] | CHECKED BY BGATES | 05/09/2017 | CATEGORY TELECOM/MODULAR | |
| | APPROVED BY DGUTTADAUR | 05/09/2017 | PRODUCT DESCRIPTION JACK CAT5E RJ45/110 SHIELDED | |
| PROJECTION | CONFIGURATION DETAILS OF UNDIMENSIONED FEATURES MAY VARY | COLOR VARIATIONS MAY OCCUR | SIZE A | FSCM NO. 43321 |
| | | | DWG. NO. MJ110C5E-S | REV. B |
| | | | SCALE: NONE | CAD FILE: MJ110C5E-S.SLDDRW |
| | | | | SHEET 1 OF 1 |