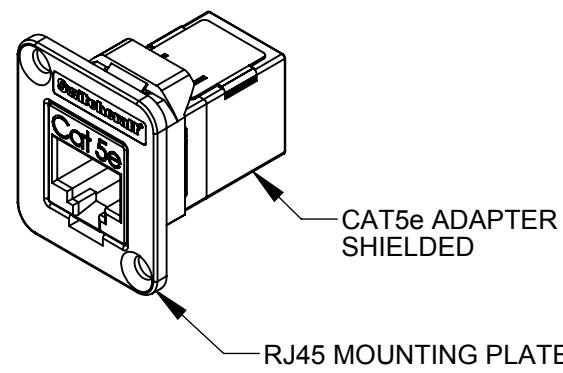
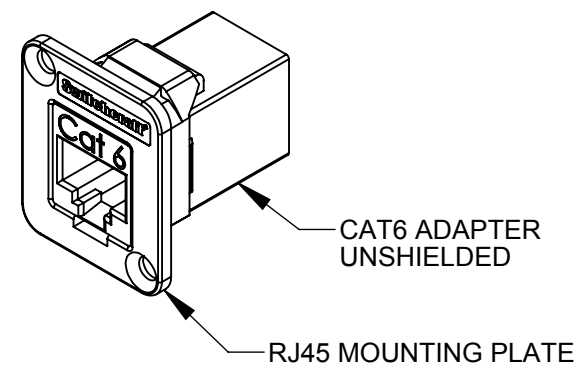


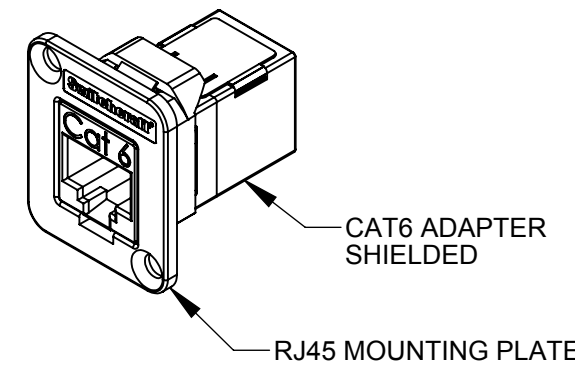
**EHRJ45P5E**  
UNSHIELDED



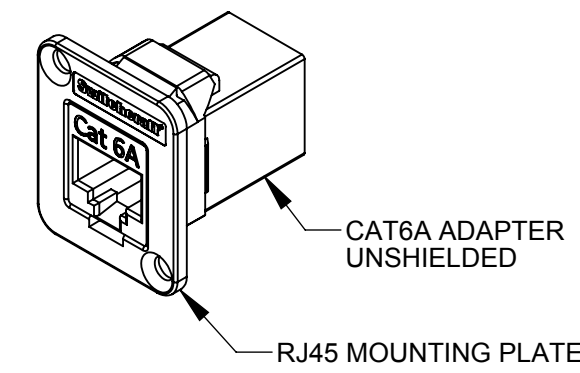
**EHRJ45P5ES**  
SHIELDED



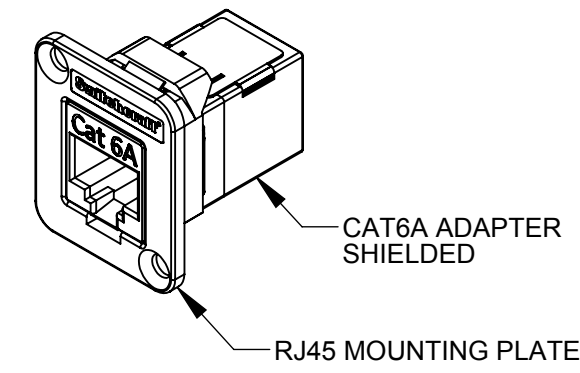
**EHRJ45P6**  
UNSHIELDED



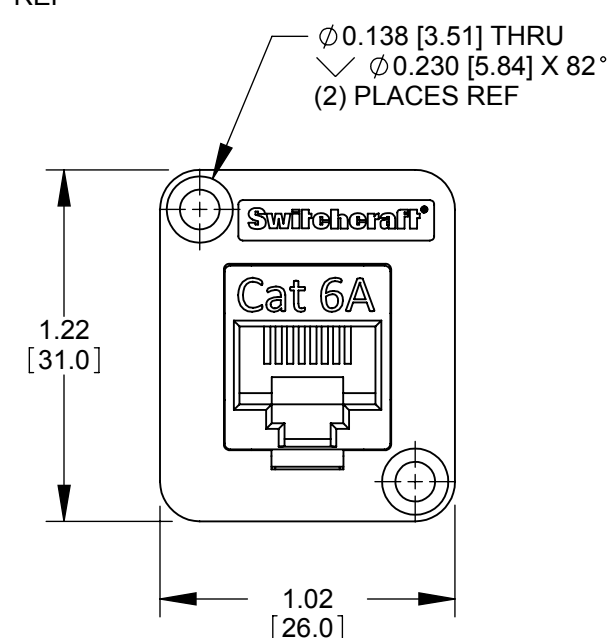
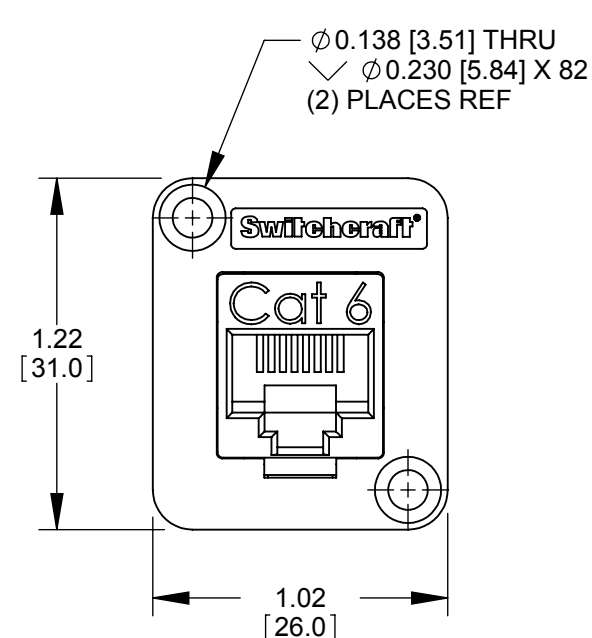
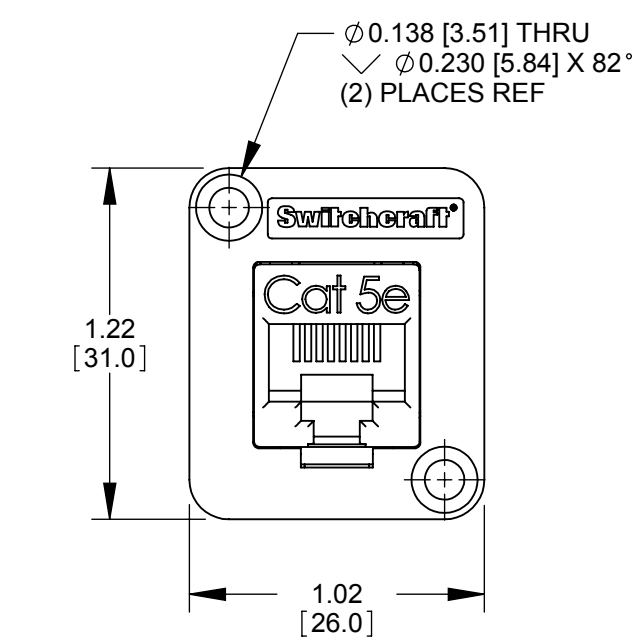
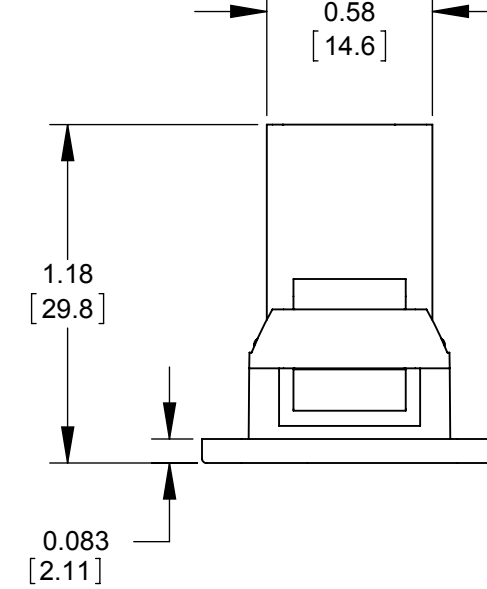
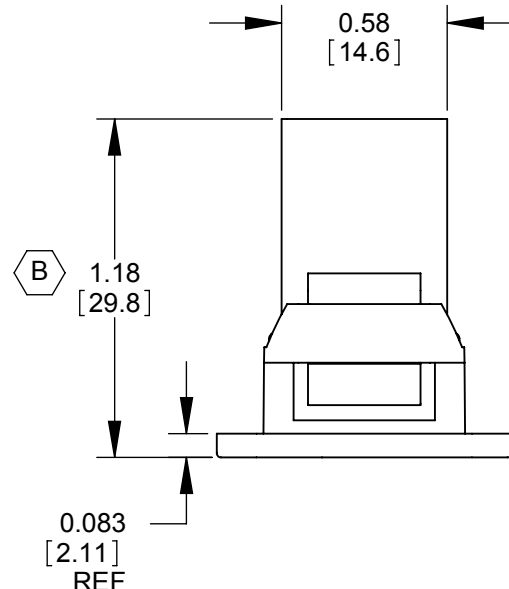
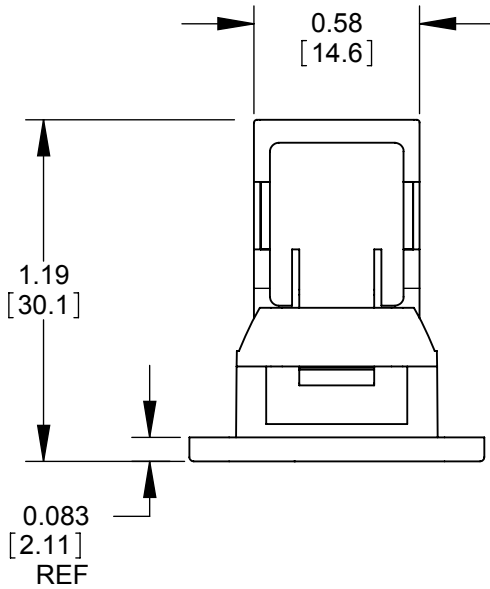
**EHRJ45P6S**  
SHIELDED



**EHRJ45P6A**  
UNSHIELDED



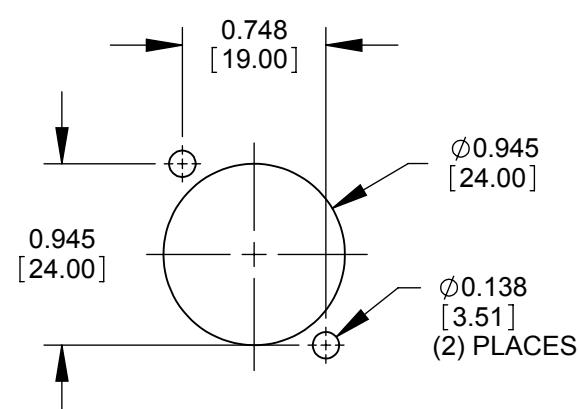
**EHRJ45P6AS**  
SHIELDED



**EHRJ45P5E - UNSHIELDED**  
**EHRJ45P5ES - SHIELDED (SHOWN)**

**EHRJ45P6 - UNSHIELDED (SHOWN)**  
**EHRJ45P6S - SHIELDED**

**EHRJ45P6A - UNSHIELDED (SHOWN)**  
**EHRJ45P6AS - SHIELDED**



**RECOMMENDED  
PANEL CUT-OUT**

**NOTES:**

- ADAPTER MEETS:  
CAT5e: TIA/EIA-568-B.2 STANDARD  
CAT6: TIA/EIA-568-B.2-1 STANDARD  
D CAT6A: TIA/ANSI-568-C.2 STANDARD
- MATERIALS:  
RJ45 MOUNTING PLATE - THERMOPLASTIC, BLACK  
RJ45 HOUSING - THERMOPLASTIC, BLACK  
RJ45 SHIELD - COPPER ALLOY, NICKEL PLATED
- FOR SCREWS TO BE SHIPPED WITH ASSEMBLY, ADD SUFFIX -PKG TO PART NUMBER.
- WHEN MOUNTING ASSEMBLY, USE A SCREW TORQUE OF 10 INCH-LBS MAXIMUM.
- THIS PRODUCT IS RoHS COMPLIANT.

PART NUMBER	RJ45 ADAPTER
EHRJ45P5E	CAT5e UNSHIELDED
EHRJ45P5ES	CAT5e SHIELDED
EHRJ45P6	CAT6 UNSHIELDED
EHRJ45P6S	CAT6 SHIELDED
EHRJ45P6A	CAT6A UNSHIELDED
EHRJ45P6AS	CAT6A SHIELDED

**CUSTOMER DRAWING**

UNLESS OTHERWISE SPECIFIED					THIS DRAWING DESCRIBES A DESIGN CONSIDERED PROPRIETARY IN NATURE, DEVELOPED AND MANUFACTURED BY SWITCHCRAFT INC. AND IS RELEASED ON A CONFIDENTIAL BASIS FOR IDENTIFICATION PURPOSES ONLY.				
1. ALL DIMENSIONS IN INCHES [mm]					SIZE	WIDTH	MULT	LBS/M	TEMPER
- TWO PLACE DECIMALS ±0.02 [0.5]					FINISH		MATERIAL		
- THREE PLACE DECIMALS ±0.005 [0.13]					SPEC No.		SPEC No.		
DO NOT SCALE DRAWING					FIRST USED ON		SCALE 1.5:1		
REV	ECO NUMBER	DATE	BY	APVD	DATE DRAWN	BY	CHKD	APVD	
D	27721	6-21-16	TO	TJK	7/7/08	JGK	RS	TJK	
C	27585	10/08/15	PC	TJK	EH SERIES		RJ45 ADAPTER, RoHS		SHEET 1 OF 1
B	27247	1/24/14	JGK	TJK	PART No.		EHRJ45P SERIES		REV D
A	26387	5/15/09	RS	TJK					