

NOTES:

1. MATERIALS AND FINISHES:

- BAYONET SLEEVE - BRASS, NICKEL PLATING (.000100/.000250) THICK
- BODIES - BRASS, NICKEL PLATING (.000100/.000250) THICK
- WASHER - BRASS, NICKEL PLATING (.000100/.000250) THICK
- CLAMP - BRASS, NICKEL PLATING (.000100/.000250) THICK
- CONTACT - BeCu, GOLD PLATING (.00005/.0001 THICK) OVER NICKEL
- OUTER CONTACT - BeCu, GOLD PLATING (.00005/.0001 THICK) OVER NICKEL
- REAR OUTER CONTACT - BRASS, NICKEL PLATING (.000100/.000250) THICK
- REAR GASKET - FLUOROSILICONE, COLOR: BLUE
- FRONT GASKET - SILICONE RUBBER
- INSULATORS - PTFE
- SPACER - BRASS, NICKEL PLATING (.000100/.000250) THICK
- RETAINING RING - BRASS, NICKEL PLATING (.000100/.000250) THICK
- SPRING WASHER - BeCu, GOLD PLATING (.00005/.0001 THICK) OVER NICKEL
- FERRULE - COPPER TUBING, NICKEL PLATING (.000100/.000250) THICK

2. ELECTRICAL:

- A. IMPEDANCE: NON-CONSTANT CAN BE USED WITH 50,75 AND 93 OHM TRIAXIAL CABLES
- B. FREQUENCY RANGE: DC - 500 MHz

4. ENVIRONMENTAL:

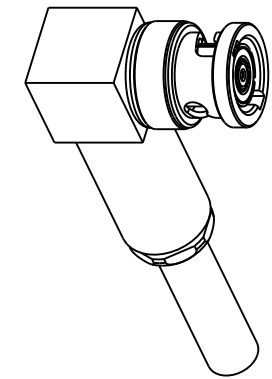
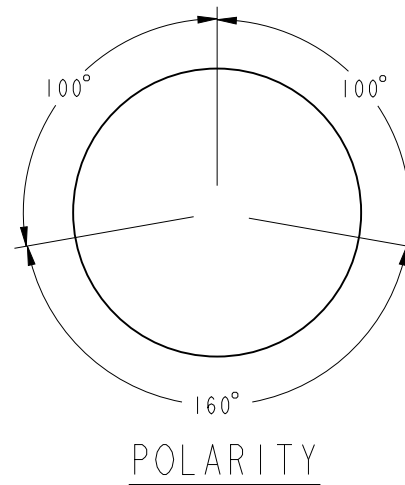
- A. THERMAL: -65°C TO + 165°

5. FOR ASSEMBLY AND STRIPPING INSTRUCTIONS SEE 9-9950-433.

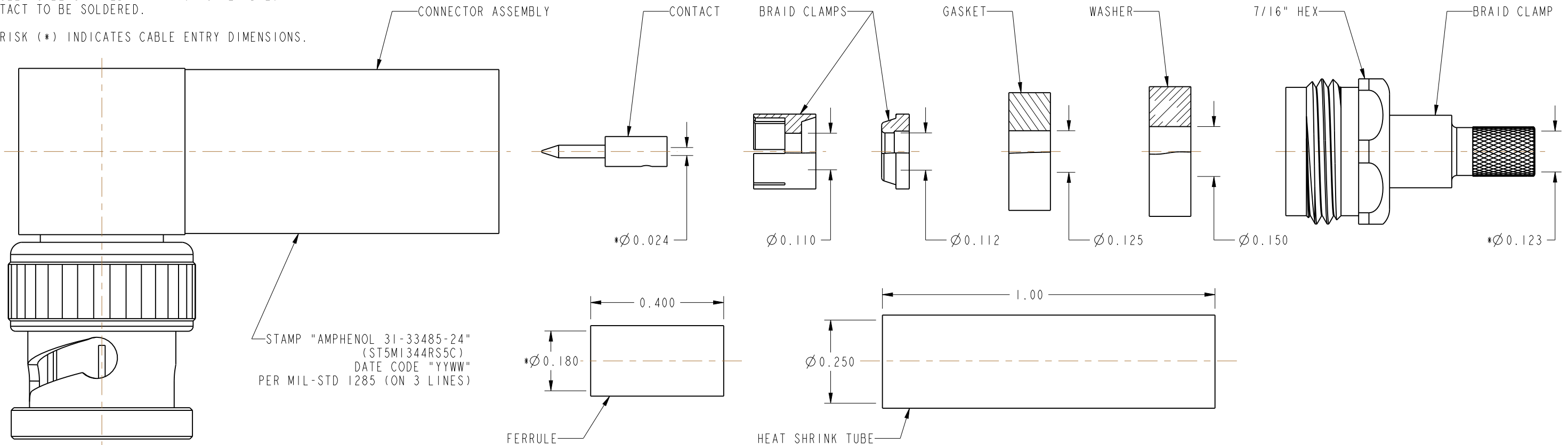
6. FERRULE TO BE CRIMPED WITH A .178 HEX DIE.
CONTACT TO BE SOLDERED.

7. ASTERISK (*) INDICATES CABLE ENTRY DIMENSIONS.

31-33485-24		REVISIONS			
DRAWING NO.	REV	DESCRIPTION	DATE	ECO	APPR
THIRD ANGLE PROJ.	A	RELEASE TO MFG.	3/22/10	48024	
	B	SEE SHEET 1	5/17/10	48085	KR
	C	STAMPING NOTE UPDATED	7/12/10	48129	KR
	D	ADDED PARENTHESIS TO STAMP	9/9/11	48728	MJS



SCALE 1.000



CUSTOMER OUTLINE DRAWING
ALL OTHER SHEETS ARE FOR INTERNAL USE ONLY

UNLESS OTHERWISE SPECIFIED, DIMENSIONS ARE IN INCHES AND TOLERANCES ARE: 2 PLACE DECIMAL 3 PLACE DECIMAL ANGLES ±.015 (0,381 mm) ±.005 (0,127 mm) ± 1°	MATERIAL	DRAWN	DATE	TITLE BNC R/A TRIAX PLUG FOR BOEING 5M2559 AND 5M2397 CABLE	Amphenol RF Danbury, CT, USA Tainan, Taiwan Shenzhen, China www.amphenolrf.com
	REFERENCE	ENGINEER	DATE		
NOTICE - These drawings, specifications, or other data (1) are, and remain the property of Amphenol Corp. (2) must be returned upon request; and (3) are confidential and not to be disclosed to any person other than those to whom they are given by Amphenol Corp. The furnishing of these drawings, specifications, or other data by Amphenol Corp., or to any other person to anyone for any purpose is not to be regarded by implication or otherwise in any manner licensing, granting rights or permitting such holder or any other person to manufacture, use or sell any product, process or design, patented or otherwise, that may in any way be related to or disclosed by said drawings, specifications, or other data.		APPROVED	DATE		
		K. CAPOZZI	3/19/10		
		CAD FILE	I:\TRIAAX\31-33485-24		CODE ID
				74868	B
				DRAWING NO. 31-33485-24	
					REV D
				SCALE: 3.3:1	SHEET 2 OF 2