

NOTES:

1. MATERIAL AND FINISH:

BODY: BRASS, GOLD PLATING
 CONTACT PIN: BRASS, GOLD PLATING
 INSULATOR: PEEK, NATURAL

2. ELECTRICAL:

- A. IMPEDANCE: 50 OHM
- B. FREQUENCY RANGE: DC-10 GHz
- C. RETURN LOSS: 26 dB MIN.@ DC-4 GHz
23 dB MIN.@ 4-6 GHz
- D. INSERTION LOSS: $0.03X\sqrt{f(\text{GHz})}$ dB MAX. @ DC TO 6 GHz
- E. INSULATION RESISTANCE: 5 GOHM MIN.
- F. POWER HANDLING: 200 W MAX.@ 2.2 GHz AT 20°C
- G. INTERMODULATION(3rd order): -117 dBm MAX.@ 2X20W

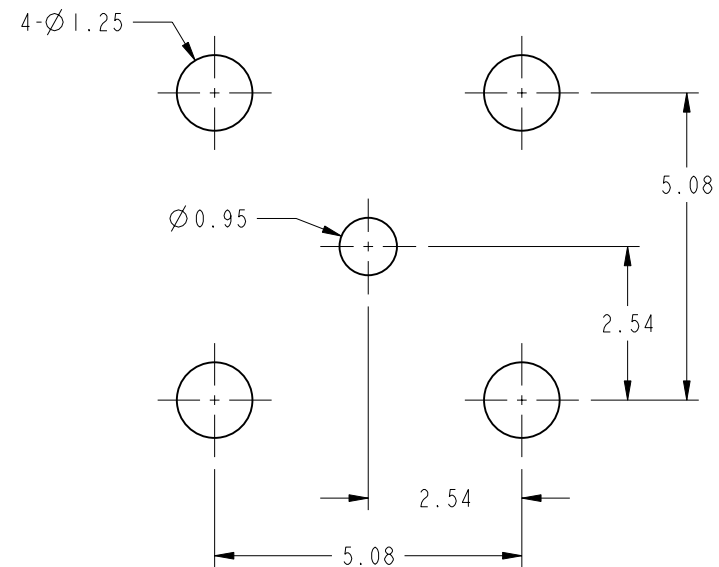
3. MECHANICAL:

- A. MATING CYCLES: 100 MIN.
- B. TEMPERATURE RANGE: -65°C TO +165°C

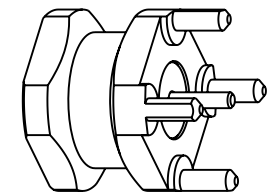
THIRD ANGLE PROJ.

REVISIONS

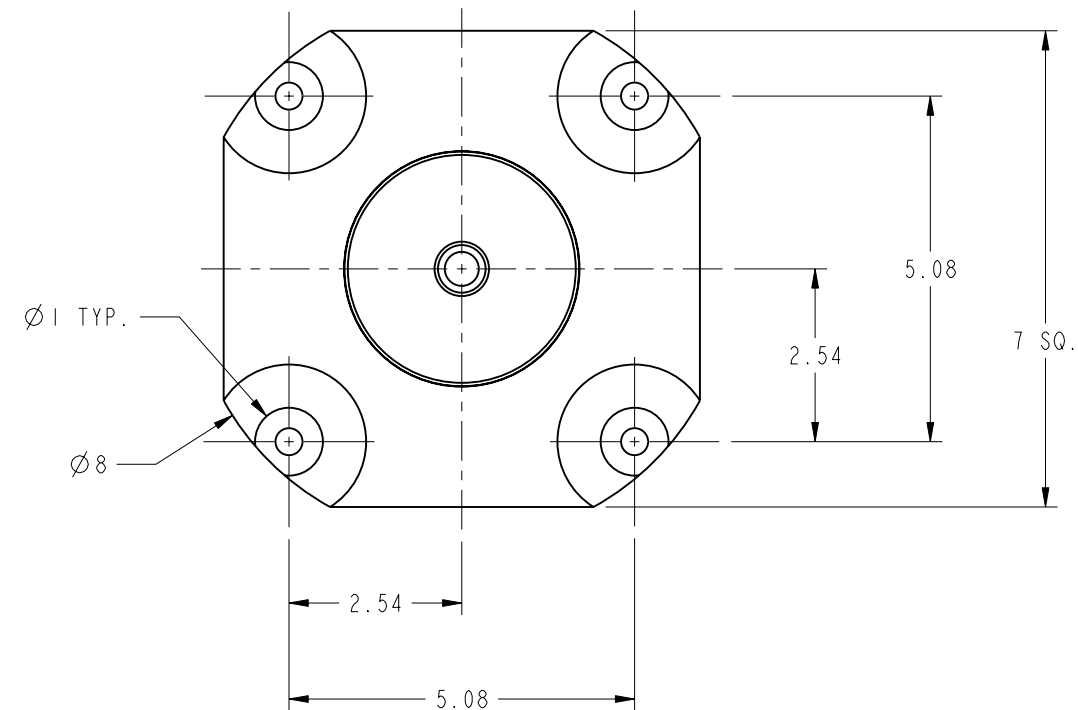
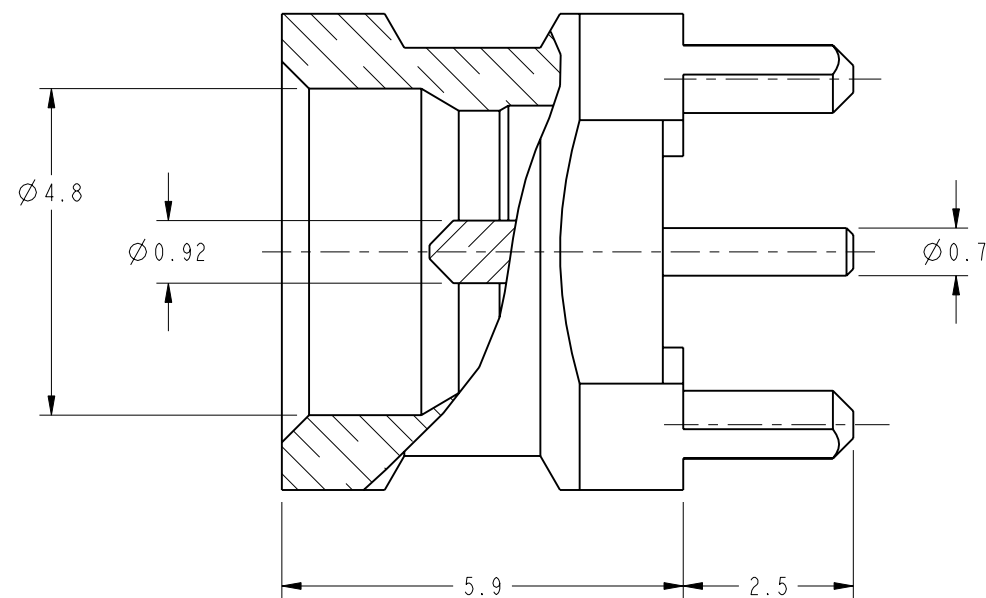
REV	DESCRIPTION	DATE	ECO	APPR
A	RELEASE TO MFG.	12-Jun-14		TD
B	TITLE WAS CHANGED, ADDED PART NO. PSMP-MSLD-PCT25 UPDATED RECOMMENDED PCB MOUNTING HOLE	03-Dec-15	50842	SW



RECOMMENDED PCB MOUNTING HOLE



SCALE 3.000



CUSTOMER OUTLINE DRAWING

ALL OTHER SHEETS ARE FOR INTERNAL USE ONLY

UNLESS OTHERWISE SPECIFIED, DIMENSIONS ARE IN METRIC AND TOLERANCES ARE: <0.5mm ±0.05mm 0.5 - 6mm ±0.1mm 6 - 30mm ±0.2mm 30 - 120mm ±0.3mm ANGLES ±1°	MATERIAL	DRAWN STAMN	DATE 03-Dec-15	TITLE PSMP, MALE LIMITED DETENT	Amphenol RF www.amphenolrf.com
	REFERENCE EAR04938 & IAB299450001	ENGINEER RICKSON	DATE 12-Jun-14		
NOTICE - These drawings, specifications, or other data (1) are, and remain the property of Amphenol corp. (2) must be returned upon request; and (3) are confidential and not to be disclosed to any person other than those to whom they are given by Amphenol Corp. the furnishing of these drawings, specifications, or other data by Amphenol Corp., or to any other person to anyone for any purpose is not to be regarded by implication or otherwise in any manner licensing, granting rights to permitting such holder or any other person to manufacture, use or sell any product, process or design, patented or otherwise, that may in any way be related to or disclosed by said drawings, specifications, or other data.	CONFIGURATION LEVEL:	APPROVED RICKSON	DATE 03-Dec-15	SCALE: 6.0:1.0	SHEET 2 OF 2
	FINISH	I:\PSMP\PSMPI25IAI-002-8GPAP8GPA-50	DWG SIZE B	REV B	DRAWING NO. PSMPI25IAI-002-8GPAP8GPA-50
				ITEM NO. 67125IABG022C5F	
				PART NO. PSMP-MSLD-PCT25	