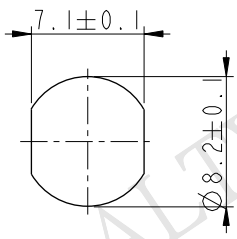
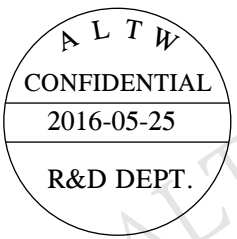
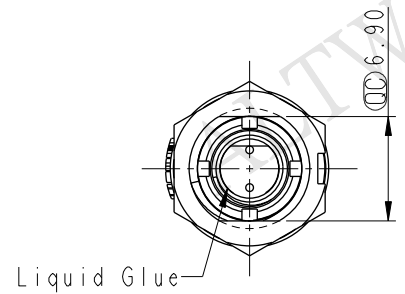
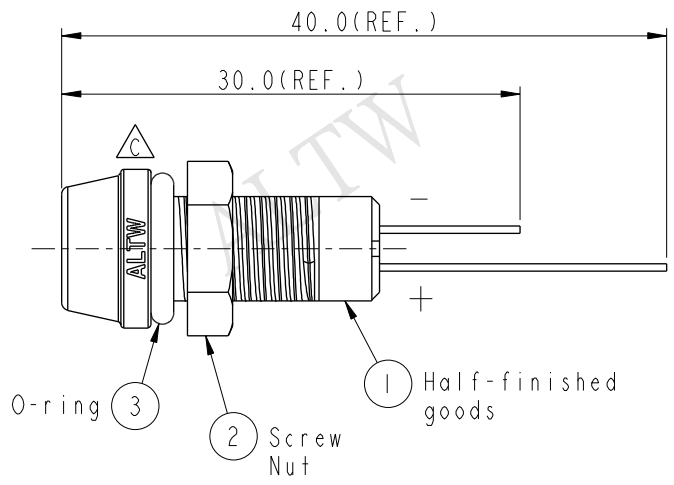
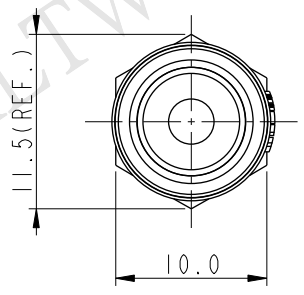
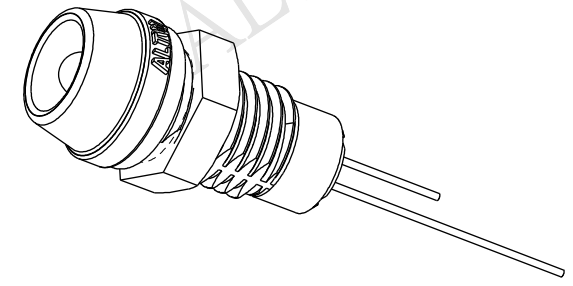
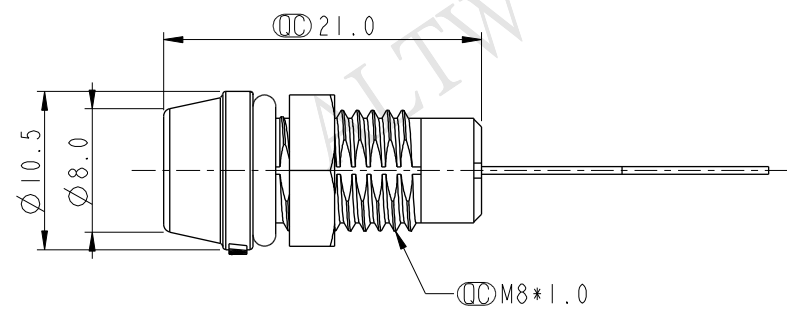


REV.	ECN NO.	DATE	SIGN	DESCRIPTION
B	LEN-930475	2009/03/04	ZhaoRongFu	Add Waterproof Rate
C	LEN1650819	2016/05/25	Ruru	Change Logo



Recommended Panel Cut-Out



- Notes:
- \*  $\varnothing$  Important Dimension To Check
  - \* Waterproof Rate: IP67
  - \* LED Holder: PC+ABS, Black
  - \* LED:  $\varnothing$  3 mm, Red (高亮度)
  - \* O-ring: EPDM, Black
  - \* Screw Nut: Nylon+GF
  - \* Operating Voltage: DC 4V
  - \* Operating Temperature: -40~+80°C
  - \* For Panel Thickness 6.5mm Max.

UNIT: mm		
TOLERANCE	.X ±0.25	
.XX ±0.1		
.XXX ±0.05		
ANGLES	±1°	

TITLE ϕ3mm Plastic LED ,Red			
SCALE 2:1	SIZE A4	SHEET 1 OF 1	
REV. C	WC-REV. A.2	$\varnothing$ : Inspection item	

**Amphenol LTW**  
安費諾亮泰企業股份有限公司

ITEM NO. L08-01RAAS-PR7001	DRAWN BY Ruru	DATE 2016-05-25
DWG NO. L08-01RAAS-PR7001	CHECKED BY Rita	DATE 2016-05-25
CUSTOMER ALTW	APPROVED BY Lisa	DATE 2016-05-25

THIS DOCUMENT IS SUBJECT TO CHANGE WITHOUT NOTICE. IT IS CONFIDENTIAL AND A PROPERTY OF Amphenol LTW. DISCLOSURE TO THIRD PARTY HAS TO BE AUTHORIZED BY Amphenol LTW.