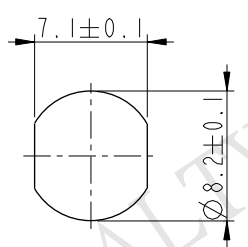
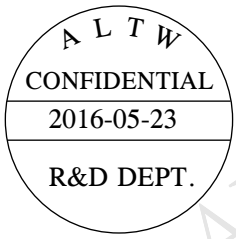
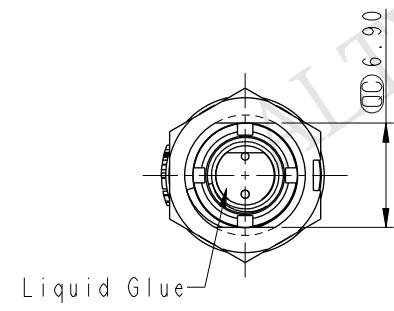
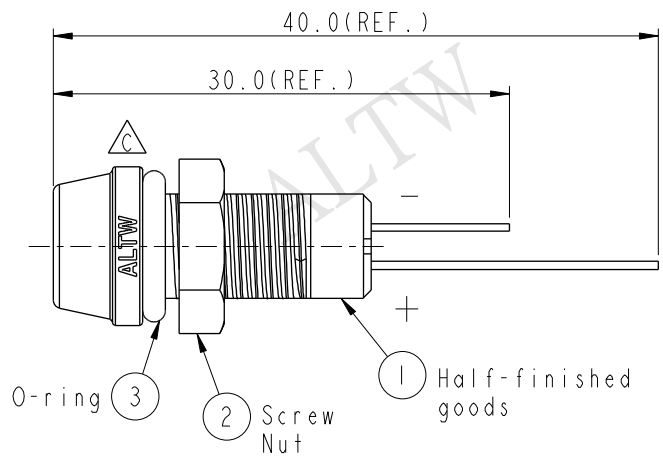
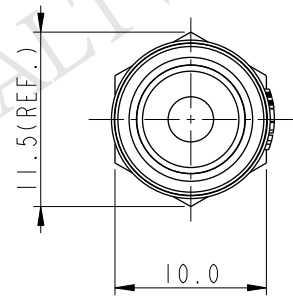
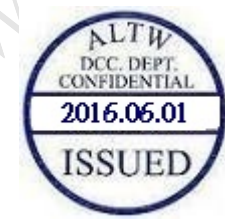
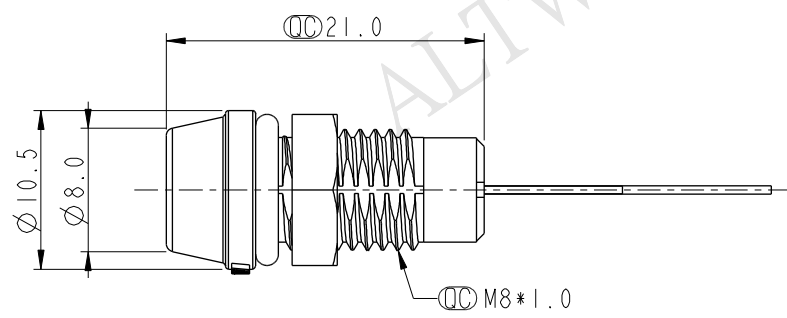


THIS DOCUMENT IS SUBJECT TO CHANGE WITHOUT NOTICE. IT IS CONFIDENTIAL AND A PROPERTY OF Amphenol LTW. DISCLOSURE TO THIRD PARTY HAS TO BE AUTHORIZED BY Amphenol LTW.

REV.	ECN NO.	DATE	SIGN	DESCRIPTION
B	LEN-930472	2009/03/04	ZhaoRongFu	Add Waterproof Rate
C	LEN1650816	2016/05/23	Ruru	Change Logo



Recommended Panel Cut-Out



- Notes:
- \*  $\text{CC}$  Important Dimension To Check
  - \* Waterproof Rate: IP67
  - \* LED Holder: PC+ABS, Black
  - \* LED:  $\text{Ø}3$  mm, Green (高亮度)
  - \* O-ring: EPDM, Black
  - \* Screw Nut: Nylon+GF
  - \* Operating Voltage: DC 4V
  - \* Operating Temperature:  $-40 \sim +80^{\circ}\text{C}$
  - \* For Panel Thickness 6.5mm Max.

UNIT: mm TOLERANCE .X $\pm 0.25$ .XX $\pm 0.1$ .XXX $\pm 0.05$ ANGLES $\pm 1^{\circ}$		TITLE			ITEM NO.	DRAWN BY	DATE
		$\text{Ø}3$ mm Plastic LED ,Green SCALE 2:1 SIZE A4 SHEET 1 OF 1 REV. C WC-REV. A.3 $\text{CC}$ : Inspection item			L08-01GAAS-PR7001	Ruru	2016-05-23
		<b>Amphenol LTW</b> <b>安費諾亮泰企業股份有限公司</b>			L08-01GAAS-PR7001	Checked by Rita	DATE 2016-05-23
				CUSTOMER	APPROVED BY	DATE	
				ALTW	Lisa	2016-05-23	